

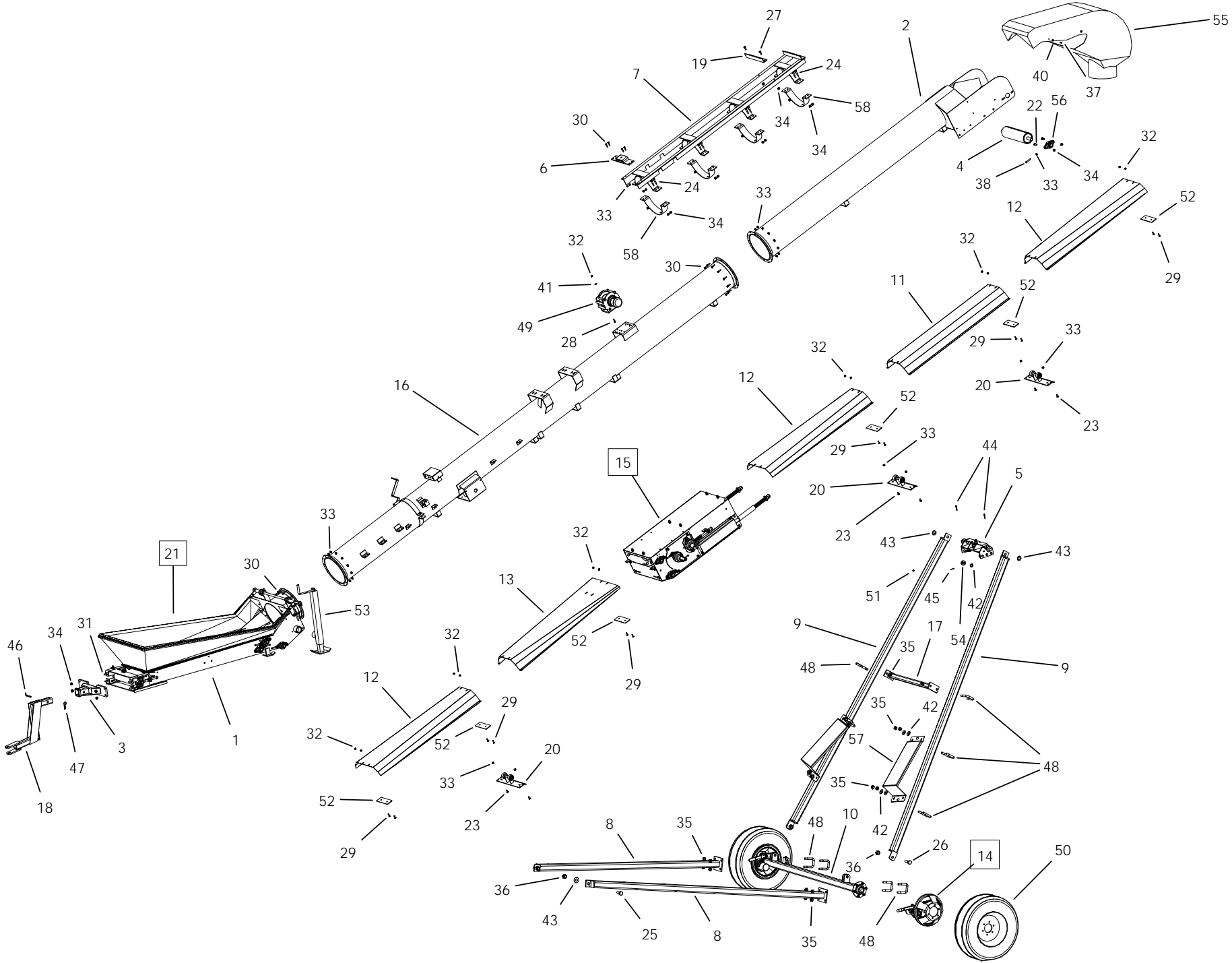


1800 SERIES BELT CONVEYORS & FIELD LOADERS

PARTS MANUAL

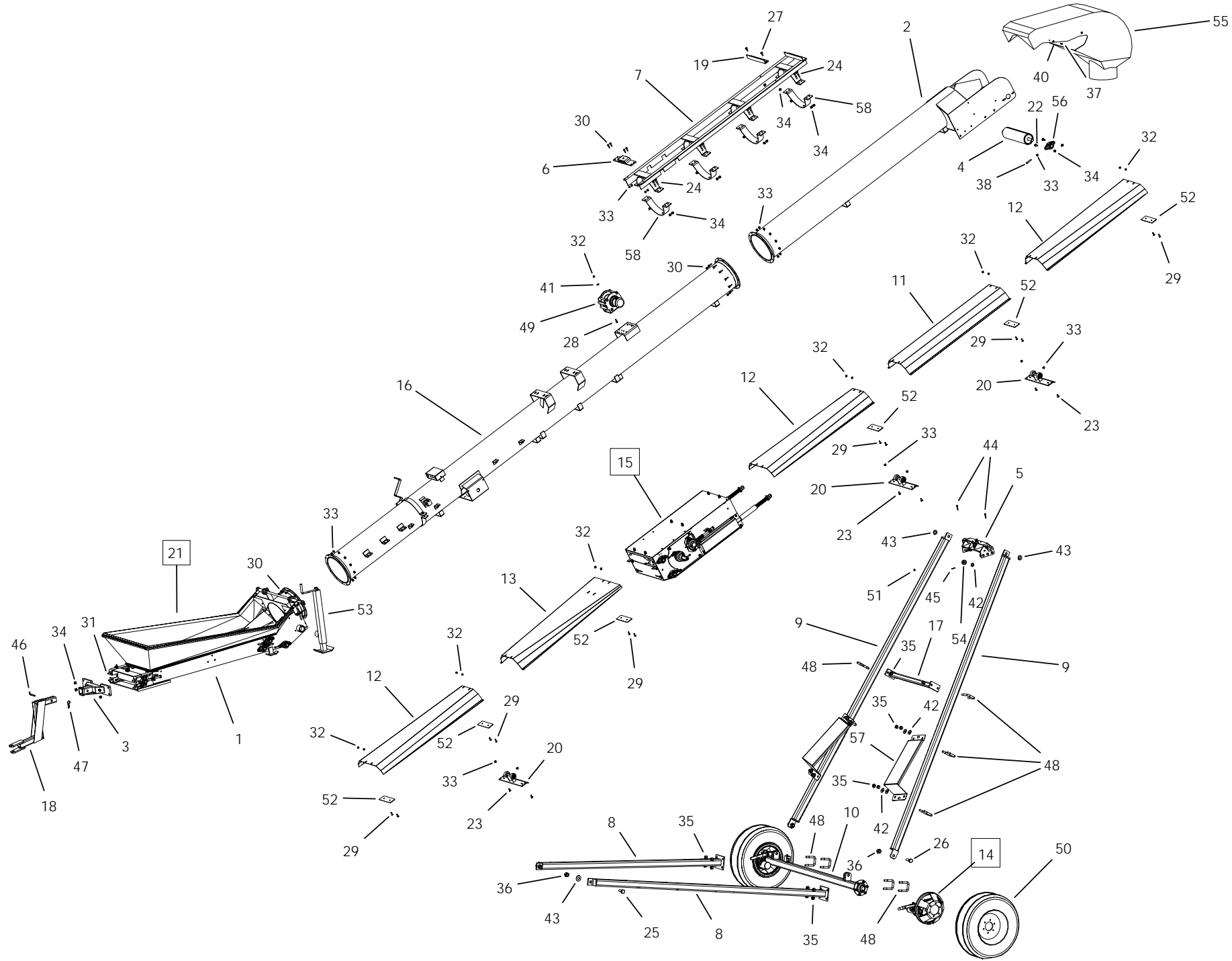
TABLE OF CONTENTS

| DESCRIPTION | PAGE |
|--|------|
| 1835 FL FMD-18503525 | 4 |
| S-DRIVE (20590020) | 8 |
| HOPPER (1800030324P) | 10 |
| 20-WM CAMLIFT (20580142) | 12 |
| WHEEL MOVE DRIVE SYSTEM (20580143) | 14 |
| 1835 FL-18503521 | 16 |
| S-DRIVE (20590020) | 20 |
| HOPPER (1800030324P) | 22 |
| S-DRV DRCT GBOX W_OC AND TRPL (20000245) | 24 |
| 1835 FL TD-18503541 | 28 |
| TD PINCH (18597000) | 32 |
| HOPPER (1800030324P) | 34 |
| 18" PITSTOP ELECTRIC DRIVE KIT (25001001) | 36 |
| HYDRAULIC DRIVE KIT FOR 1814LP & TD (18000281) | 38 |



1835 FL FMD-18503525

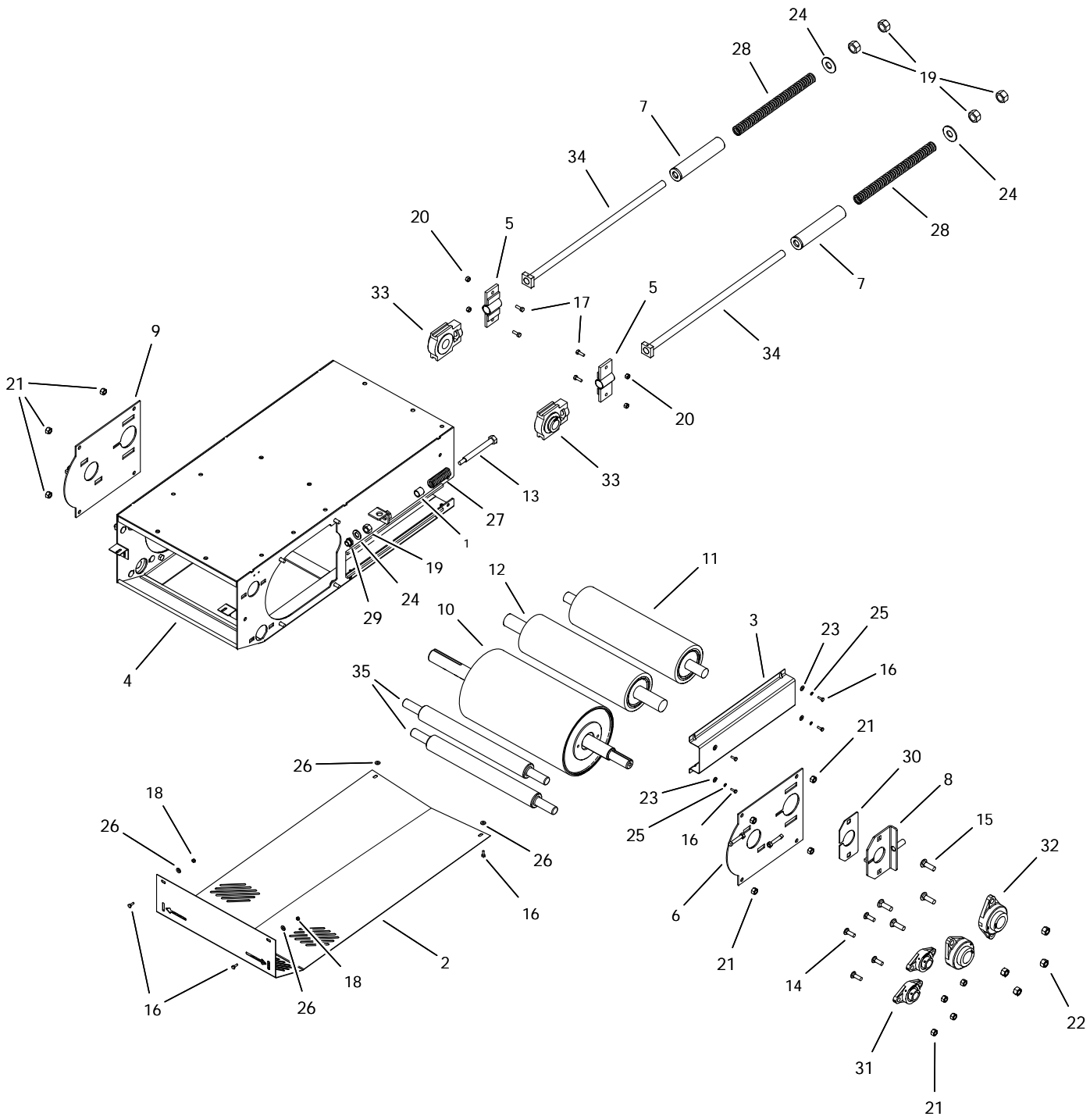
| ITEM | PART NO. | DESCRIPTION |
|------|-------------|-------------------------------------|
| 1 | 18000330 | HOPPER TYPE -FL |
| 2 | 18020015 | 1800 15' Spout |
| 3 | 18030007 | HITCH FL (ONE PC) |
| 4 | 18070009 | HOPPER ROLLER LAGGED |
| 5 | 20030001 | 20 TRACK SLIDER |
| 6 | 20030007 | LARGE CABLE ATTACHMENT |
| 7 | 20030020 | TRACK 45 |
| 8 | 20030050 | AXLE ARM 45 |
| 9 | 20030051 | UPRIGHT 2045 |
| 10 | 20030107 | AXLE 45 (WITH 12 LUGS) |
| 11 | 20042201 | WEATHER GUARD 5' - 61-1/2" |
| 12 | 20042202 | WEATHER GUARD 5' FLR - 61-1/2" |
| 13 | 20042204 | WEATHER GUARD 5' FLT - 61-1/2" |
| 14 | 20580143 | MOVER-WHEEL MOVE DRIVE SYS 3" AXLE |
| 15 | 20590020 | S-DRIVE ASM W/PINCH |
| 16 | 24020015 | 2435FL CENTER - WELD ON BRKTS |
| 17 | 24030050 | 24 RAIL FRAME CROSS BRACE |
| 18 | 24030096 | 24 Z-DROP TONGUE |
| 19 | 24032125 | 24 BOLT-ON TRACK STOP |
| 20 | 200100811 | WG ROLLER MOUNT KIT W/ROLLERS |
| 21 | 1800030324P | HOPPER -COLLAPSABLE SWING |
| 22 | P0113004 | CARRIAGE BOLT 1/2"X1-1/2"PLATED |
| 23 | P0113013 | CARRIAGE BOLT 7/16"X1" PLATED |
| 24 | P0114005 | TAP BOLT 1/2 X 2-1/2 GR.8 PLATED |
| 25 | P0118003 | BOLT 1" X 2-1/2" GR8 PLATED |
| 26 | P0118004 | BOLT 1" X 3" GR8 PLATED |
| 27 | P0118020 | BOLT 1/2" X 1-1/4" GR8 PLATED |
| 28 | P0118046 | BOLT 3/8" X 1" GR8 PLATED |
| 29 | P0115303 | CAPSCREW 3/8X1-1/4FLT HD SOCKET PTD |
| 30 | P0118077 | BOLT 7/16"X1-1/2" GRADE 8 PLATED |
| 31 | P0118090 | BOLT 1/2" X 1-3/4" GR8 PLATED |
| 32 | P0134026 | LOCKNUT-NYLON-3/8" GRADE 8 |
| 33 | P0134007 | LOCKNUT-NYLON-7/16" |
| 34 | P0134008 | LOCKNUT-NYLON-1/2" |
| 35 | P0134029 | LOCKNUT-NYLON-3/4" GRADE 8 |
| 36 | P0134030 | LOCKNUT-NYLON-1" GRADE 8 |
| 37 | P0141003 | TEK SCREW 1/4"X1-1/2" HEX WASHER |
| 38 | P0145002 | SET SCREW-7/16"X2-1/2"SQ.HD. |
| 39 | P0151001 | FLAT WASHER 1"BARE USS |
| 40 | P0151006 | FLAT WASHER 1/4"PLATED USS |
| 41 | P0151009 | FLAT WASHER 3/8"PLATED USS |
| 42 | P0151026 | FLAT WASHER 3/4"SAE |
| 43 | P0151031 | FLAT WASHER 1"PLATED USS |
| 44 | P0161001 | Cotter Pin 1/4 x 2 |
| 45 | P0161002 | COTTER PIN 5/32X1-1/2"PLATED |
| 46 | P0162002 | Pin Hitch 3/4 x 3 1/2 |



1835 FL FMD-18503525

| ITEM | PART NO. | DESCRIPTION |
|------|-----------|------------------------------------|
| 47 | P0163001 | HAIR PIN 3/16" X 3-1/4" |
| 48 | P0183004 | U-BOLT 3" X 3" -PLATED |
| 49 | P0217634B | HYDRAULIC WINCH KIT |
| 50 | P0615308 | TIRE ASM -6BLT ST205/75R15 LRC 6PL |
| 51 | P0712105 | CABLE CLAMP-5/16" GALV. |
| 52 | P1010002 | BI-MOUNT PLATE CAST |
| 53 | P1012009 | JACK-7000LB SQ.TUBE 25" EXT |
| 54 | P1211305 | ROLLER 2" NYLON |
| 55 | P1211801 | HOOD-LARGE ROUND 18 SERIES |
| 56 | P1711002 | FLANGE UNIT-1-1/4"-SAFL206-20 |
| 57 | P2513003 | INSPECTION STEP BI-MOUNT |
| 58 | P2518203P | 3" U-CLAMP PAINTED |
| 59 | P0711121 | CABLE-5/16" (48') |
| 60 | 18570354 | 1835FL 88' |
| 61 | P1243001 | CABLE TIE 14" 120 LB |
| 62 | P2227989 | MANUAL HOLDER AND LID |
| 63 | 18000737 | 1835 FL BELT ASSEMBLY (82'11") |

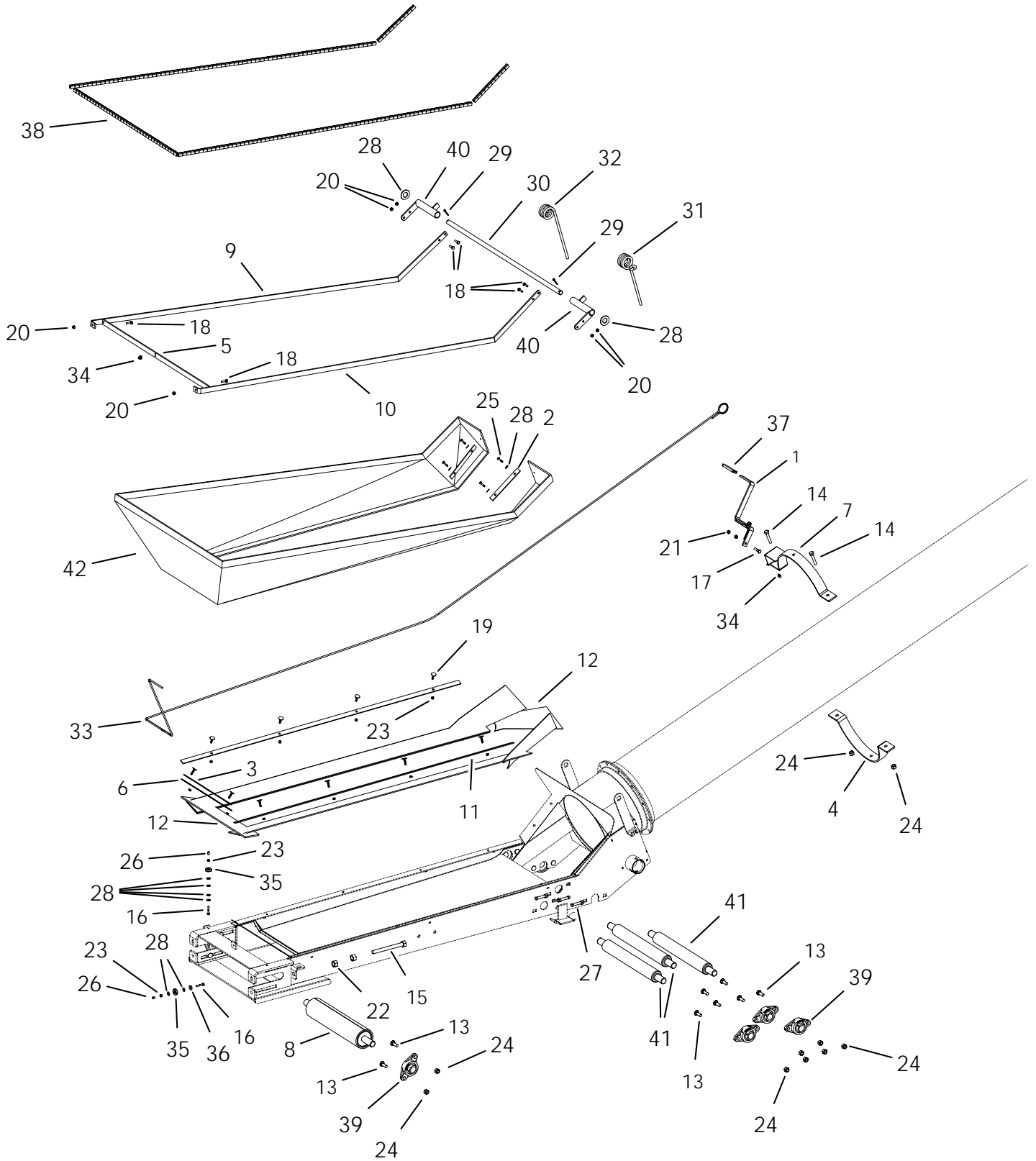
S-DRIVE (20590020)



S-DRIVE (20590020)

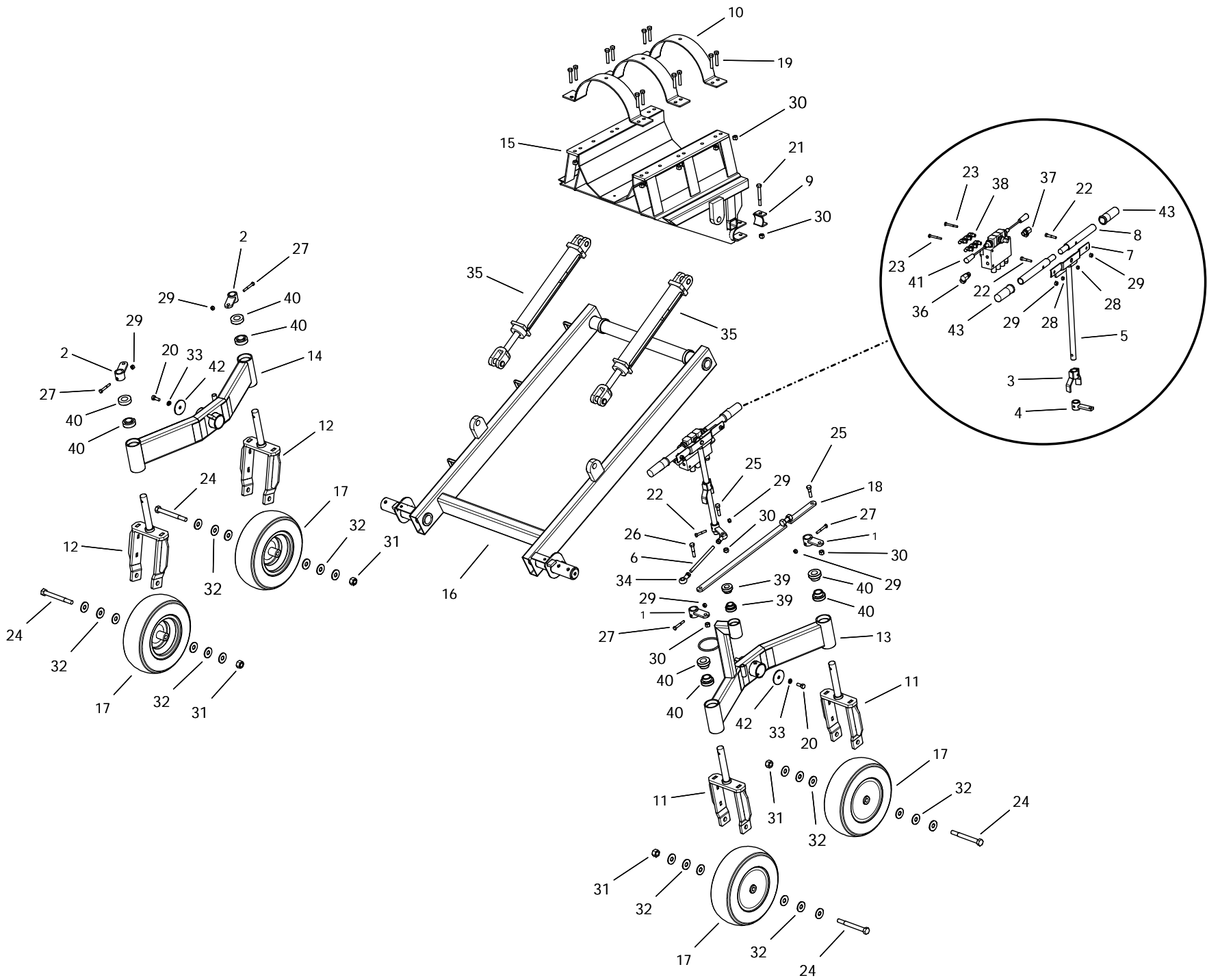
| ITEM | PART NO. | DESCRIPTION |
|------|-----------|---|
| 1 | 15062010 | PINCH PIPE |
| 2 | 20040011 | S-DRIVE BOTTOM GUARD |
| 3 | 20042070 | S-DRIVE TAKEUP GUARD |
| 4 | 20060500 | S-DRIVE PUNCH |
| 5 | 20060501 | S-DRIVE TAKEUP BRACKET |
| 6 | 20060502 | DRIVE ROLLER COVER LH |
| 7 | 20060504 | PRETENSIONER |
| 8 | 20060507 | Pinch Tighener Plate |
| 9 | 20060514 | DRIVE ROLLER COVER RH |
| 10 | 20070004 | ROLLER S-DRIVE 10-1/2" W/ EXT SHAFT |
| 11 | 20070508 | PINCH SD TAKE-UP ROLLER |
| 12 | 20070509 | S-DRIVE PINCH ROLLER |
| 13 | P0113000 | SPRING TENSION BOLT |
| 14 | P0113004 | CARRIAGE BOLT 1/2"X1-1/2"PLATED |
| 15 | P0113007 | CARRIAGE BOLT 5/8"X2"PLATED |
| 16 | P0118033 | BOLT 1/4" X 3/4" GR8 PLATED |
| 17 | P0118046 | BOLT 3/8" X 1" GR8 PLATED |
| 18 | P0131007 | NUT 7/16" BARE - HEAVY |
| 19 | P0131019 | NUT 3/4" PLATED GRADE 8 |
| 20 | P0134026 | LOCKNUT-NYLON-3/8" GRADE 8 |
| 21 | P0134008 | LOCKNUT-NYLON-1/2" |
| 22 | P01340101 | LOCKNUT-NYLON-5/8" GRADE 8 |
| 23 | P0151006 | FLAT WASHER 1/4"PLATED USS |
| 24 | P0151015 | FLAT WASHER 3/4"PLATED USS |
| 25 | P0152004 | LOCK WASHER 1/4"PLATED |
| 26 | P0152004 | LOCK WASHER 1/4"PLATED |
| 27 | P0511008 | SPRING-LD-1300 SERIES |
| 28 | P0511010 | SPRING-COMP-1.46"X16.5" (1.05"DIA) |
| 29 | P0820129 | BUSHING BRASS FLANGED |
| 30 | P1210103 | PINCH SLIDE PLATE (POLY) |
| 31 | P1711002 | FLANGE UNIT-1-1/4"-SAFL206-20 |
| 32 | P1711003 | FLANGE UNIT-1-15/16"-SAFL210-31 |
| 33 | P1721002 | TAKE-UP UNIT-1-1/2"-T208-24 |
| 34 | P2520006 | 20 S-DRIVE TIGHTENER BOLT |
| 35 | P20320001 | S-DRIVE RETURN ROLLER |
| 36 | P0351010 | MACHINERY BUSHING 7/8" MEDIUM (NOT SHOWN) |

HOPPER (1800030324P)



HOPPER (1800030324P)

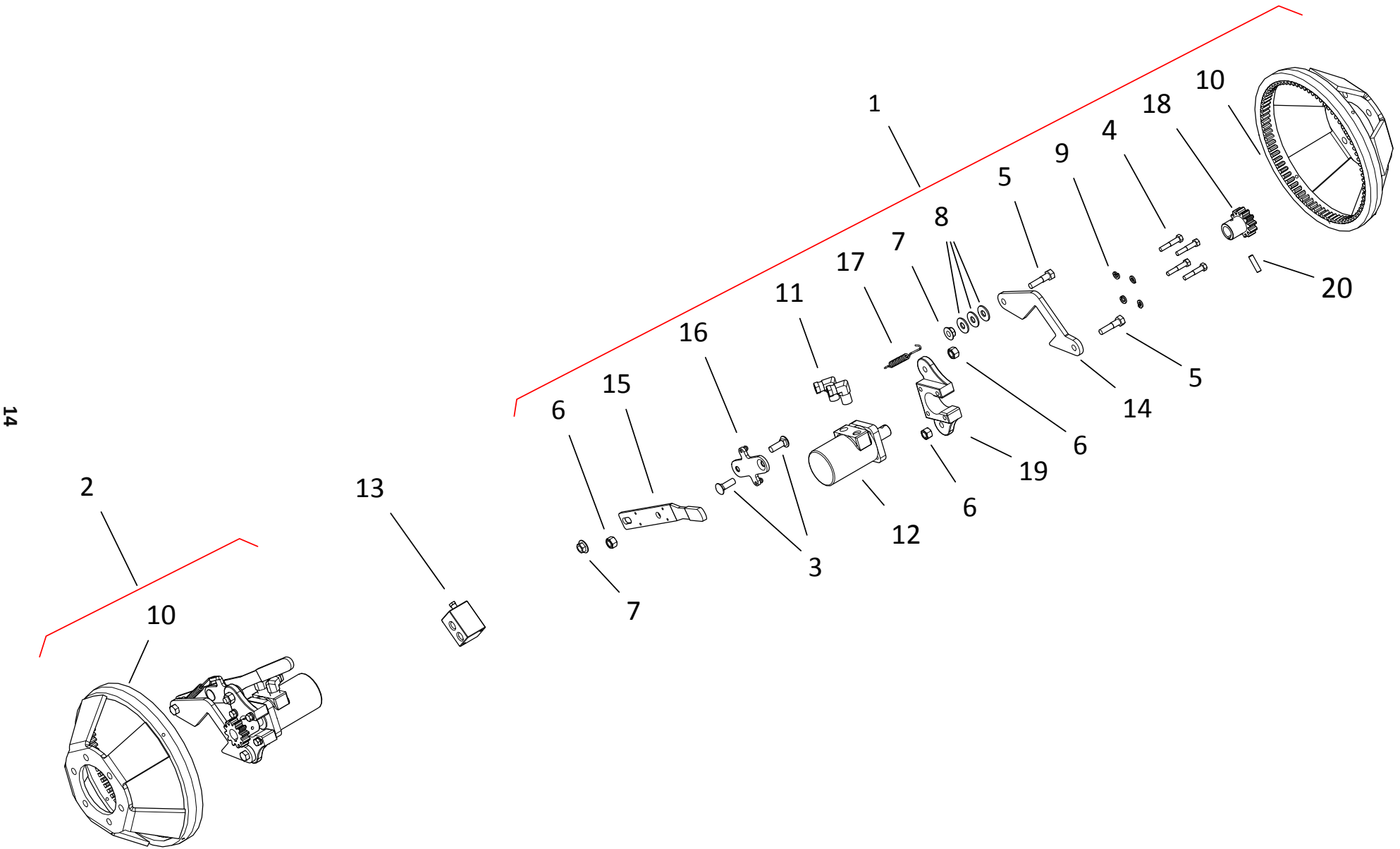
| ITEM | PART NO. | DESCRIPTION |
|------|-------------|-------------------------------------|
| | 1800030324P | HOPPER -COLLAPSABLE SWING |
| | 1800030824P | HOPPER -FLASHING ONLY FL E24 |
| | 1810002124 | UPPER CLOTH FRAME (1814E24) |
| 1 | 13100008 | HOPPER HANDLE |
| 2 | 13102059 | LOWER CLOTH FRAME TR TRNSITION (13) |
| 3 | 13102061 | LOWER CLOTH FRAME TR BACK (1314) |
| 4 | 18012002P | 2" U-CLAMP PAINTED |
| 5 | 18102035 | UPPPER CLOTH FRAME TR FRONT |
| 6 | 18102036 | LOWER CLOTH FRAME TR FRONT |
| 7 | 20010029 | SA COLLAPS HANDLE MOUNT |
| 8 | 25070002 | PITSTOP TAKE-UP ROLLER |
| 9 | 1310000124 | TRANSFER UPPER FRAME-RIGHT EXT.24" |
| 10 | 1310000224 | TRANSFER UPPER FRAME-LEFT EXT.24" |
| 11 | 1310206024 | LOWER CLOTH FRAME TR SIDE E24 |
| 12 | 1800030824 | HOPPER -FLASHING ONLY FL E24 |
| 13 | P0113004 | CARRIAGE BOLT 1/2"X1-1/2"PLATED |
| 14 | P0114005 | TAP BOLT 1/2 X 2-1/2 GR.8 PLATED |
| 15 | P0114007 | TAP BOLT 3/4 X 7 PLATED |
| 16 | P0118026 | BOLT 1/4" X 1-1/2" GR8 PLATED |
| 17 | P0115113 | BOLT 3/8" X 1-1/2" GR8 PLATED |
| 18 | P0118061 | BOLT 5/16" X 1" GR8 PLATED |
| 19 | P0116001 | ELEVATOR BOLT 1/4"X1-1/4" |
| 20 | P0131017 | NUT 5/16" PLATED GRADE 8 |
| 21 | P0131018 | NUT 3/8" PLATED GRADE 8 |
| 22 | P0131019 | NUT 3/4" PLATED GRADE 8 |
| 23 | P0134023 | LOCKNUT-NYLON-1/4" GR8 |
| 24 | P0134008 | LOCKNUT-NYLON-1/2" |
| 25 | P0141002 | TEK SCREW 1/4"X1" |
| 26 | P0145001 | VINYL SCREW CAP |
| 27 | P0145002 | SET SCREW-7/16"X2-1/2"SQ.HD. |
| 28 | P0151006 | FLAT WASHER 1/4"PLATED USS |
| 29 | P0161003 | COTTER PIN 3/16"X1-1/2"PLATED |
| 30 | P0162018 | HOPPER PIVOT SHAFT-18FL |
| 31 | P0521005 | HOPPER SPRING-L-.437 |
| 32 | P0521006 | HOPPER SPRING-R-.437 |
| 33 | P0711101 | CABLE 1/8" 7 X 19 GAC |
| 34 | P0712104 | CABLE CLAMP-1/8" GALV. |
| 35 | P0713104 | CABLE SHEAVE-1-1/4" W/BEARING |
| 36 | P1210010 | Washer Nylon 3/8 USS |
| 37 | P1211303 | Rubber Handle Cover 1/4 x 1 |
| 38 | P1641015 | TRIM LOCK |
| 39 | P1711002 | FLANGE UNIT-1-1/4"-SAFL206-20 |
| 40 | P2513012 | PIVOT SHAFT BRACKET TRADITIONAL |
| 41 | P20325001 | PITSTOP TRANSITION ROLLER |
| 42 | P162100224 | HOPPER CANVAS-18 TRANS.EXT.2' |



20-WM CAMLIFT (20580142)

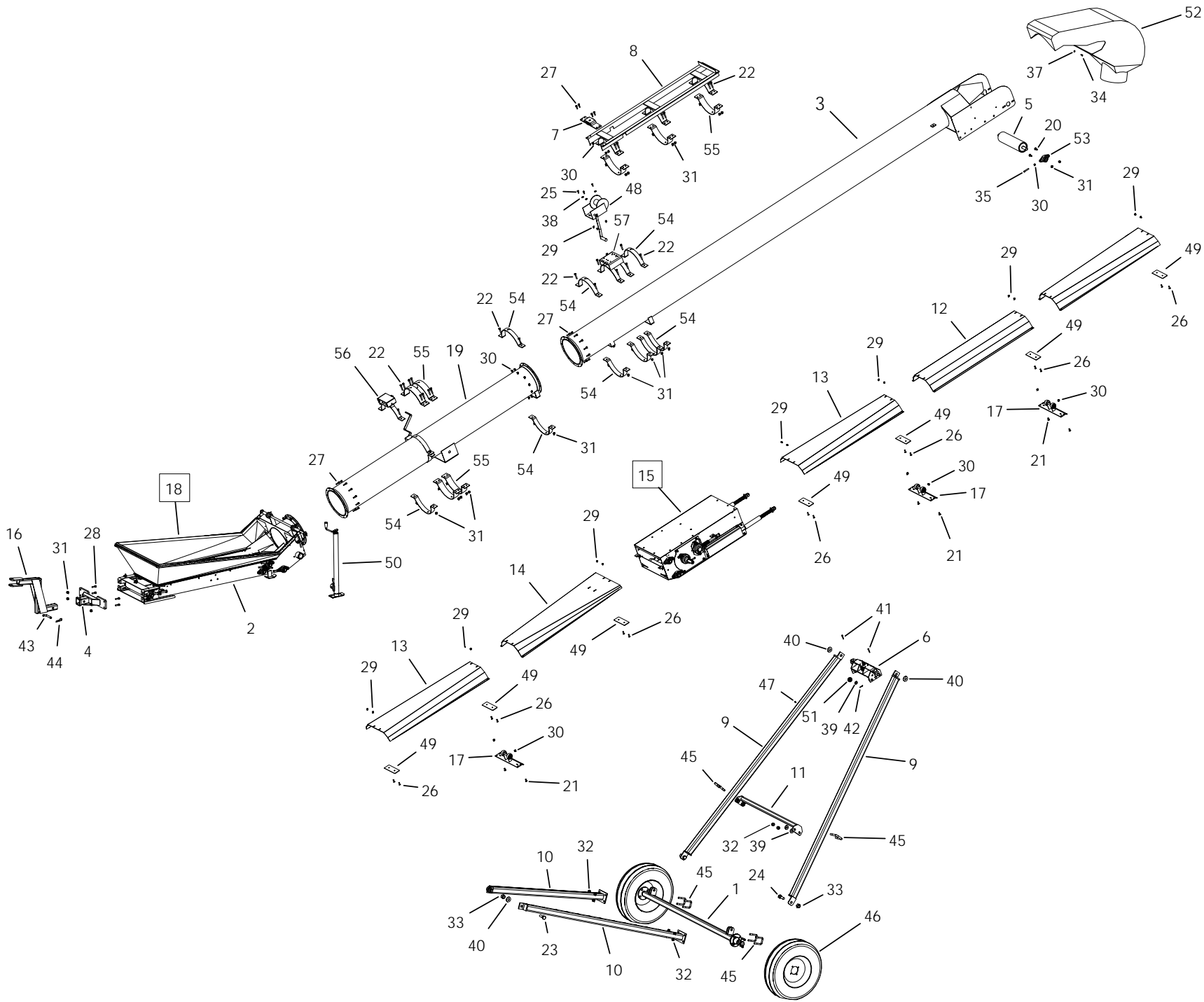
| ITEM | PART NO. | DESCRIPTION |
|------|------------|-------------------------------------|
| 1 | 13120007 | STEERING PIPE |
| 2 | 13120008 | LOCKING PIPE |
| 3 | 13120023 | STEERING STOP |
| 4 | 13120024 | HD CASTOR RETAINER C/W YOKE LINK AR |
| 5 | 13120125 | STEERING WELDMENT |
| 6 | 13122076 | LINKAGE - THREADED 1/2X8 ROD |
| 7 | 13122078 | HANDLE JOINT |
| 8 | 13122087 | WM STEERING HANDLE PIPE |
| 9 | 15120004 | SWIVEL BLOCK |
| 10 | 15120025 | SAFETY CHAIN (NOT SHOWN) |
| 11 | 20120005 | FORK-STRAIGHT |
| 12 | 20120006 | FORK-ANGLED |
| 13 | 20120010 | TANDEM AXLE WELD'T HD SP LEFT |
| 14 | 20120011 | TANDEM AXLE WELD'T HD SP RIGHT |
| 15 | 20120016 | WHEEL MOVE BASE |
| 16 | 20120017 | CAM LIFT |
| 17 | 20120023 | WM TIRE REINFORCED |
| 18 | 20122004 | STEERING LINK ARM |
| 19 | P0114005 | TAP BOLT 1/2 X 2-1/2 GR.8 PLATED |
| 20 | P0118020 | BOLT 1/2" X 1-1/4" GR8 PLATED |
| 21 | P0118130 | BOLT 1/2" X 4" GR8 PLATED |
| 22 | P0118050 | BOLT 3/8" X 2" GR8 PLATED |
| 23 | P0118063 | BOLT 5/16" X 2-1/2" GR8 PLATED |
| 24 | P0118133 | BOLT 3/4" X 7" GR8 PLATED |
| 25 | P0118016 | BOLT 1/2" X 2" GR8 PLATED |
| 26 | P0118017 | BOLT 1/2"X2-1/2"GRADE 8 PLATED |
| 27 | P0118051 | BOLT 3/8" X 2-1/2" GR8 PLATED |
| 28 | P0134027 | LOCKNUT-NYLON-5/16" GRADE 8 |
| 29 | P0134026 | LOCKNUT-NYLON-3/8" GRADE 8 |
| 30 | P0134008 | LOCKNUT-NYLON-1/2" |
| 31 | P0134029 | LOCKNUT-NYLON-3/4" GRADE 8 |
| 32 | P0151015 | FLAT WASHER 3/4"PLATED USS |
| 33 | P0152008 | LOCK WASHER 1/2"PLATED |
| 34 | P0631010 | TIE ROD END BALL JOINT |
| 35 | P0812516 | HYD CYL-2-1/2X16 |
| 36 | P0820003 | SWIVEL-10ORBX1/2F90 |
| 37 | P0820009 | SWIVEL-6MORBX1/2"FPT/90D |
| 38 | P0820611 | ELBOW-6 ORBX3/8"JIC M 45 |
| 39 | P1742001 | BEARING-1"(SAA205-16) |
| 40 | P1742002 | BEARING-1-1/4" |
| 41 | P2518200P | 3" U-CLAMP PAINTED |
| 42 | P08610091 | VALVE-3 SPL-W/2 HANDLES |
| 43 | P11130185 | AXLE END CAP |
| 44 | P020200344 | HANDLE GRIP 1-1/4" |

WHEEL MOVE DRIVE SYSTEM (20580143)



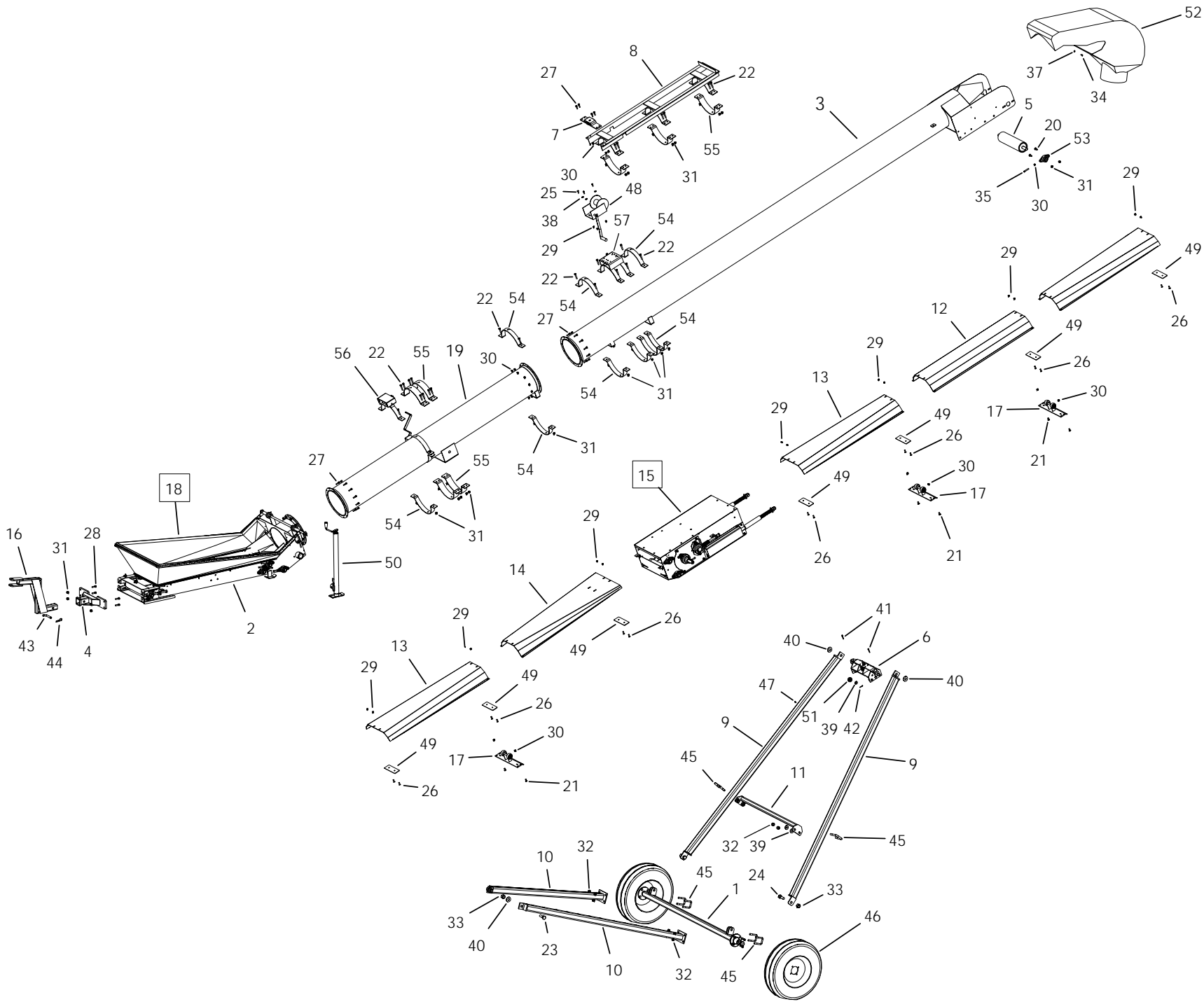
WHEEL MOVE DRIVE SYSTEM (20580143)

| ITEM | PART NO. | DESCRIPTION |
|------|-------------|------------------------------------|
| 1 | 13000120 | WM DRIVE PINION GEAR ASSY - RIGHT |
| 2 | 13000121 | WM DRIVE PINION GEAR ASSY - LEFT |
| 3 | P0113004 | CARRIAGE BOLT 1/2"X1-1/2"PLATED |
| 4 | P0115050 | BOLT 3/8" X 2" GR5 PLATED |
| 5 | P0118016 | BOLT 1/2" X 2" GR8 PLATED |
| 6 | P0134008 | LOCKNUT-NYLON-1/2" |
| 7 | P0134108 | LOCKNUT-TENSILOCK-1/2" |
| 8 | P0151029 | FLAT WASHER 1/2"PLATED USS |
| 9 | P0152006 | LOCK WASHER 3/8"PLATED |
| 10 | P0615314 | RING GEAR - 6 BOLT C/W MOUNT PLATE |
| 11 | P0820013 | SWIVEL-1/2MX3/8F90 |
| 12 | P0841012 | HYD MOTOR-6.3 (5.9H) RS-1/2" HOLE |
| 13 | P0861201 | CUSHION BLOCK, COMPLETE |
| 14 | P11130126 | WHEEL-MOVE AXLE TAB 3" |
| 15 | P020200007 | HANDLE WITH GRIP |
| 16 | 15121033 | PAINTED HANDLE LINK ARM |
| 17 | P020200009 | HANDLE SPRING |
| 18 | P020200333 | PINION GEAR-1"ID 3/8"HOLE |
| 19 | P020200338A | MOTOR ARM -EYEGLOSS PIECE, DRILLED |
| 20 | P0167101 | ROLL PIN SLOTTED 3/8" X 1-1/2" |
| 21 | P0163011 | HAIR PIN 5/32X2-15/16 (66326) |
| 22 | P0821127 | SWIVEL-3/8"-STR. |



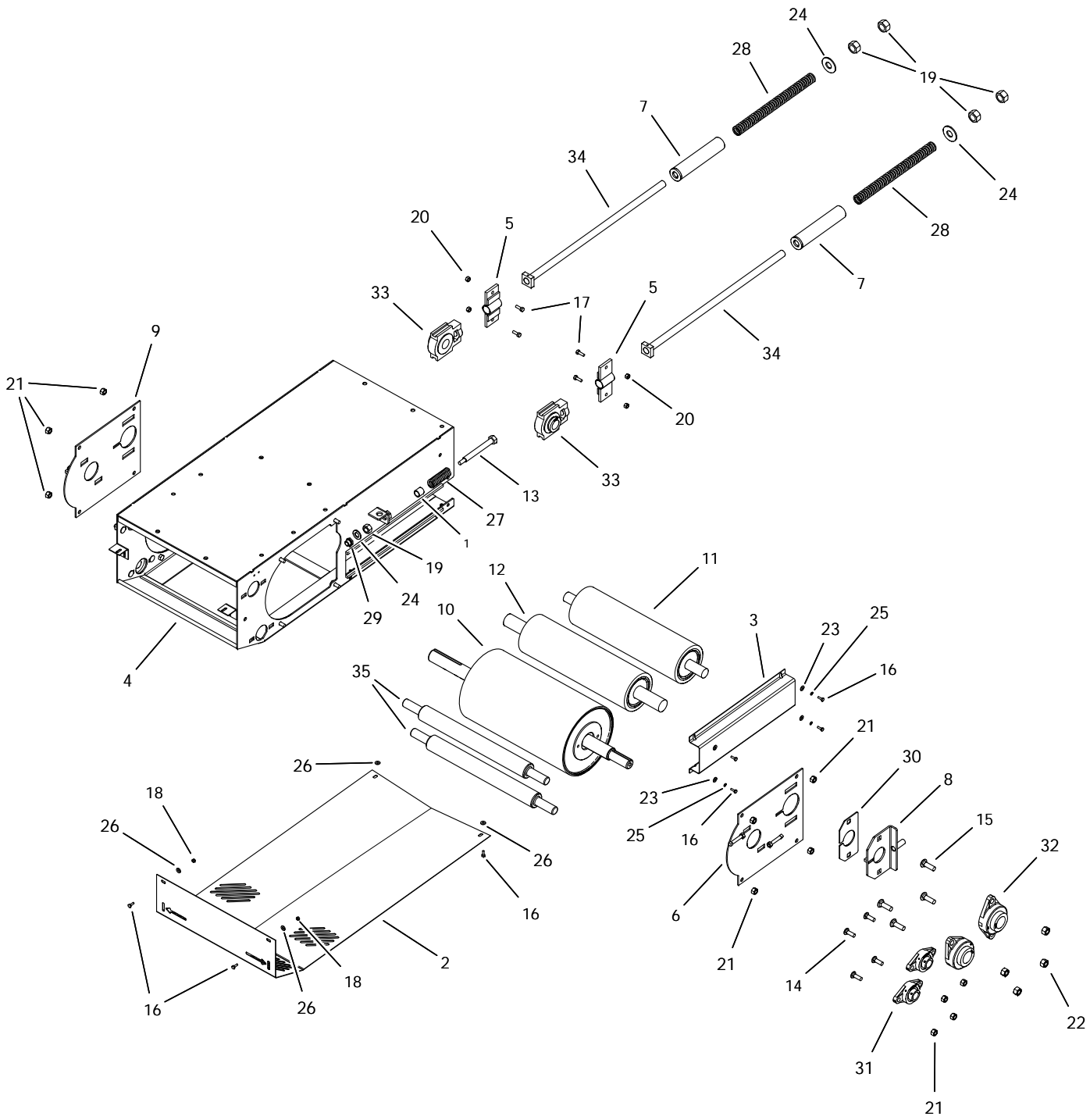
1835 FL-18503521

| ITEM | PART NO. | DESCRIPTION |
|------|-------------|-------------------------------------|
| 1 | 13030100 | AXLE 30-45-2-1/2" (WITH 8 LUGS) |
| 2 | 18000330 | HOPPER TYPE -FL |
| 3 | 18020002 | SPOUT SECTION 20' |
| 4 | 18030007 | HITCH FL (ONE PC) |
| 5 | 18070009 | HOPPER ROLLER LAGGED |
| 6 | 20030001 | 20 TRACK SLIDER |
| 7 | 20030007 | LARGE CABLE ATTACHMENT |
| 8 | 20030018 | 35 Track |
| 9 | 20030053 | UPRIGHT-1835FL |
| 10 | 20030101 | AXLE ARM 1835/2035 |
| 11 | 20030350 | 15/20 FRAME CROSS BRACE |
| 12 | 20042201 | WEATHER GUARD 5' - 61-1/2" |
| 13 | 20042202 | WEATHER GUARD 5' FLR - 61-1/2" |
| 14 | 20042204 | WEATHER GUARD 5' FLT - 61-1/2" |
| 15 | 20590020 | S-DRIVE ASM W/PINCH |
| 16 | 24030096 | 24 Z-DROP TONGUE |
| 17 | 200100811 | WG ROLLER MOUNT KIT W/ROLLERS |
| 18 | 1800030324P | HOPPER -COLLAPSABLE SWING |
| 19 | 20020001120 | 10' Center |
| 20 | P0113004 | CARRIAGE BOLT 1/2"X1-1/2"PLATED |
| 21 | P0113013 | CARRIAGE BOLT 7/16"X1" PLATED |
| 22 | P0114005 | TAP BOLT 1/2 X 2-1/2 GR.8 PLATED |
| 23 | P0118003 | BOLT 1" X 2-1/2" GR8 PLATED |
| 24 | P0118004 | BOLT 1" X 3" GR8 PLATED |
| 25 | P0118046 | BOLT 3/8" X 1" GR8 PLATED |
| 26 | P0115303 | CAPSCREW 3/8X1-1/4FLT HD SOCKET PTD |
| 27 | P0118077 | BOLT 7/16"X1-1/2" GRADE 8 PLATED |
| 28 | P0118090 | BOLT 1/2" X 1-3/4" GR8 PLATED |
| 29 | P0134026 | LOCKNUT-NYLON-3/8" GRADE 8 |
| 30 | P0134007 | LOCKNUT-NYLON-7/16" |
| 31 | P0134008 | LOCKNUT-NYLON-1/2" |
| 32 | P0134029 | LOCKNUT-NYLON-3/4" GRADE 8 |
| 33 | P0134030 | LOCKNUT-NYLON-1" GRADE 8 |
| 34 | P0141003 | TEK SCREW 1/4"X1-1/2" HEX WASHER |
| 35 | P0145002 | SET SCREW-7/16"X2-1/2"SQ.HD. |
| 36 | P0151001 | FLAT WASHER 1"BARE USS |
| 37 | P0151006 | FLAT WASHER 1/4"PLATED USS |
| 38 | P0151009 | FLAT WASHER 3/8"PLATED USS |
| 39 | P0151026 | FLAT WASHER 3/4"SAE |
| 40 | P0151031 | FLAT WASHER 1"PLATED USS |
| 41 | P0161001 | Cotter Pin 1/4 x 2 |
| 42 | P0161002 | COTTER PIN 5/32X1-1/2"PLATED |
| 43 | P0162002 | Pin Hitch 3/4 x 3 1/2 |
| 44 | P0163001 | HAIR PIN 3/16" X 3-1/4" |
| 45 | P0183004 | U-BOLT 3" X 3" -PLATED |
| 46 | P0615308 | TIRE ASM -6BLT ST205/75R15 LRC 6PL |



1835 FL-18503521

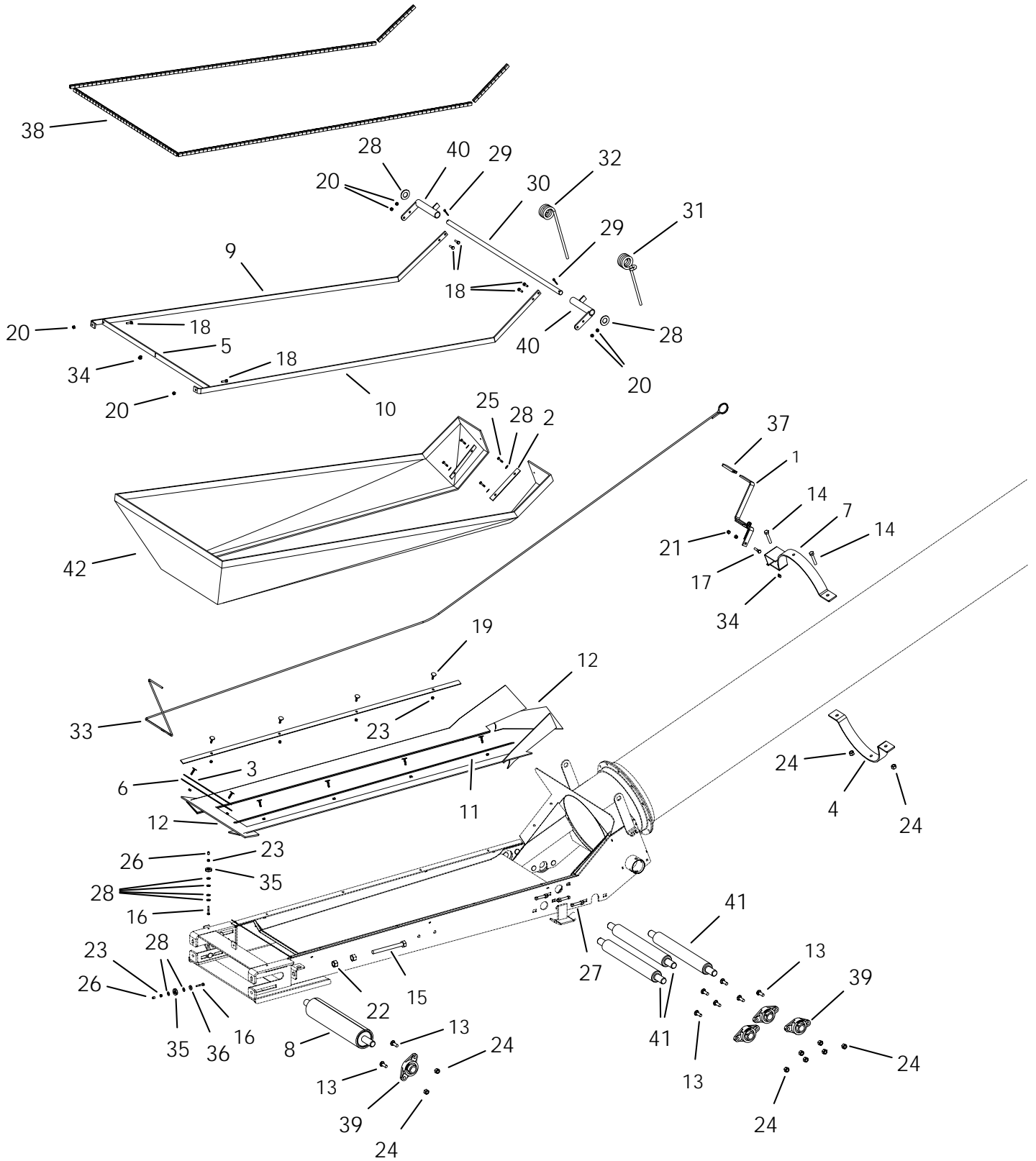
| ITEM | PART NO. | DESCRIPTION |
|------|-----------|-------------------------------|
| 47 | P0712105 | CABLE CLAMP-5/16" GALV. |
| 48 | P0714103 | WINCH-2500# BRAKE |
| 49 | P1010002 | BI-MOUNT PLATE CAST |
| 50 | P1012009 | JACK-7000LB SQ.TUBE 25" EXT |
| 51 | P1211305 | ROLLER 2" NYLON |
| 52 | P1211801 | HOOD-LARGE ROUND 18 SERIES |
| 53 | P1711002 | FLANGE UNIT-1-1/4"-SAFL206-20 |
| 54 | P2518202P | 2" U-CLAMP PAINTED |
| 55 | P2518203P | 3" U-CLAMP PAINTED |
| 56 | 20060080 | DIRECT DRV CONTROL BOX |
| 57 | 20010025 | HYDRAULIC WINCH MOUNT |
| 58 | P1243001 | CABLE TIE 14" 120 LB |
| 59 | P2227989 | MANUAL HOLDER AND LID |
| 60 | P0711108 | CABLE-5/16" (44') (50740) |
| 61 | 18570354 | 1835FL 88' |



S-DRIVE (20590020)

| ITEM | PART NO. | DESCRIPTION |
|------|-----------|---|
| 1 | 15062010 | PINCH PIPE |
| 2 | 20040011 | S-DRIVE BOTTOM GUARD |
| 3 | 20042070 | S-DRIVE TAKEUP GUARD |
| 4 | 20060500 | S-DRIVE PUNCH |
| 5 | 20060501 | S-DRIVE TAKEUP BRACKET |
| 6 | 20060502 | DRIVE ROLLER COVER LH |
| 7 | 20060504 | PRETENSIONER |
| 8 | 20060507 | Pinch Tighener Plate |
| 9 | 20060514 | DRIVE ROLLER COVER RH |
| 10 | 20070004 | ROLLER S-DRIVE 10-1/2" W/ EXT SHAFT |
| 11 | 20070508 | PINCH SD TAKE-UP ROLLER |
| 12 | 20070509 | S-DRIVE PINCH ROLLER |
| 13 | P0113000 | SPRING TENSION BOLT |
| 14 | P0113004 | CARRIAGE BOLT 1/2"X1-1/2"PLATED |
| 15 | P0113007 | CARRIAGE BOLT 5/8"X2"PLATED |
| 16 | P0118033 | BOLT 1/4" X 3/4" GR8 PLATED |
| 17 | P0118046 | BOLT 3/8" X 1" GR8 PLATED |
| 18 | P0131007 | NUT 7/16" BARE - HEAVY |
| 19 | P0131019 | NUT 3/4" PLATED GRADE 8 |
| 20 | P0134026 | LOCKNUT-NYLON-3/8" GRADE 8 |
| 21 | P0134008 | LOCKNUT-NYLON-1/2" |
| 22 | P01340101 | LOCKNUT-NYLON-5/8" GRADE 8 |
| 23 | P0151006 | FLAT WASHER 1/4"PLATED USS |
| 24 | P0151015 | FLAT WASHER 3/4"PLATED USS |
| 25 | P0152004 | LOCK WASHER 1/4"PLATED |
| 26 | P0152004 | LOCK WASHER 1/4"PLATED |
| 27 | P0511008 | SPRING-LD-1300 SERIES |
| 28 | P0511010 | SPRING-COMP-1.46"X16.5" (1.05"DIA) |
| 29 | P0820129 | BUSHING BRASS FLANGED |
| 30 | P1210103 | PINCH SLIDE PLATE (POLY) |
| 31 | P1711002 | FLANGE UNIT-1-1/4"-SAFL206-20 |
| 32 | P1711003 | FLANGE UNIT-1-15/16"-SAFL210-31 |
| 33 | P1721002 | TAKE-UP UNIT-1-1/2"-T208-24 |
| 34 | P2520006 | 20 S-DRIVE TIGHTENER BOLT |
| 35 | P20320001 | S-DRIVE RETURN ROLLER |
| 36 | P0351010 | MACHINERY BUSHING 7/8" MEDIUM (NOT SHOWN) |

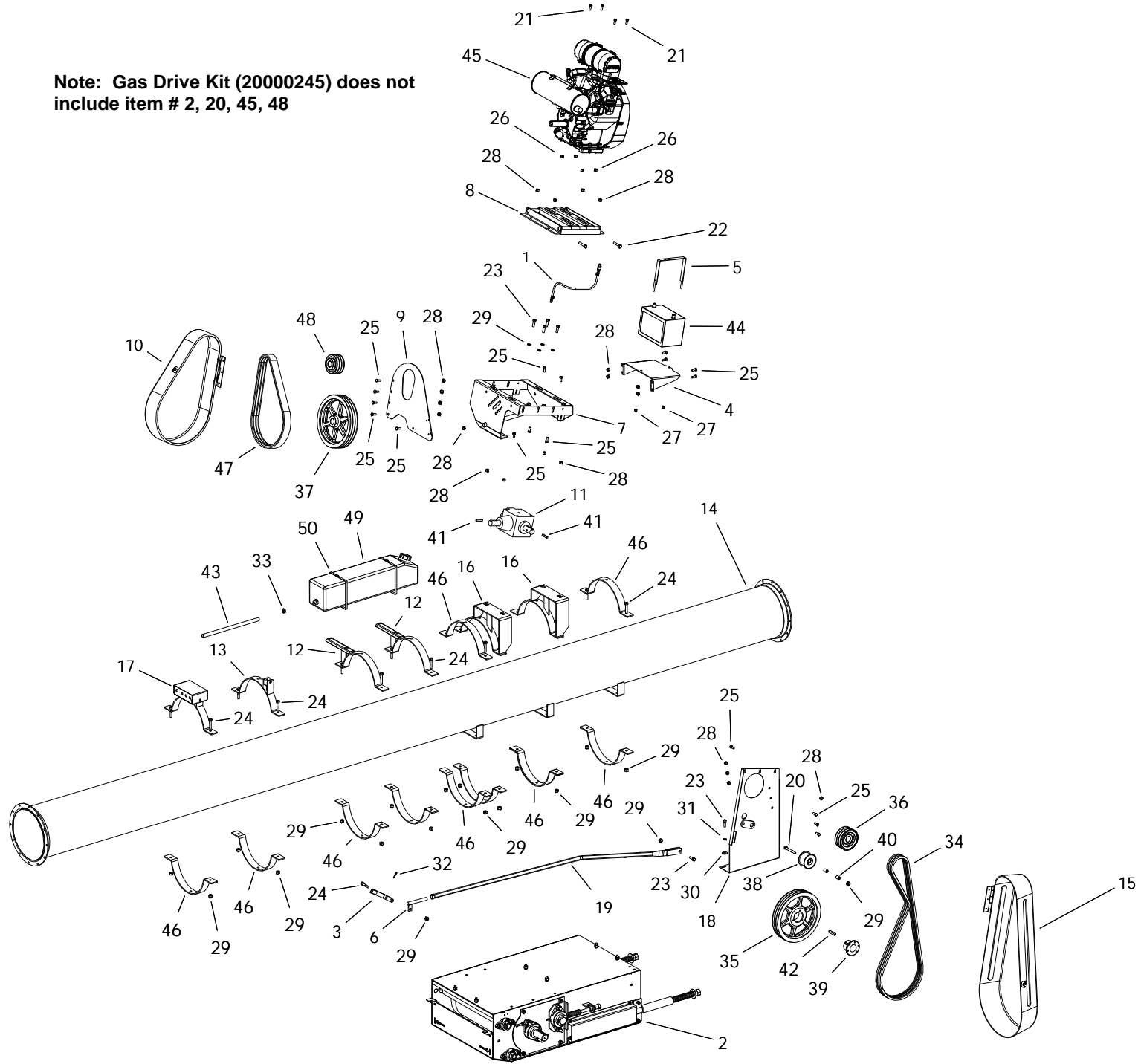
HOPPER (1800030324P)



HOPPER (1800030324P)

| ITEM | PART NO. | DESCRIPTION |
|------|-------------|-------------------------------------|
| | 1800030324P | HOPPER -COLLAPSABLE SWING |
| | 1800030824P | HOPPER -FLASHING ONLY FL E24 |
| 1 | 13100008 | HOPPER HANDLE |
| 2 | 13102059 | LOWER CLOTH FRAME TR TRNSITION (13) |
| 3 | 13102061 | LOWER CLOTH FRAME TR BACK (1314) |
| 4 | 18012002P | 2" U-CLAMP PAINTED |
| 5 | 18102035 | UPPPER CLOTH FRAME TR FRONT |
| 6 | 18102036 | LOWER CLOTH FRAME TR FRONT |
| 7 | 20010029 | SA COLLAPS HANDLE MOUNT |
| 8 | 25070002 | PITSTOP TAKE-UP ROLLER |
| 9 | 1310000124 | TRANSFER UPPER FRAME-RIGHT EXT.24" |
| 10 | 1310000224 | TRANSFER UPPER FRAME-LEFT EXT.24" |
| 11 | 1310206024 | LOWER CLOTH FRAME TR SIDE E24 |
| 12 | 1800030824 | HOPPER -FLASHING ONLY FL E24 |
| 13 | P0113004 | CARRIAGE BOLT 1/2"X1-1/2"PLATED |
| 14 | P0114005 | TAP BOLT 1/2 X 2-1/2 GR.8 PLATED |
| 15 | P0114007 | TAP BOLT 3/4 X 7 PLATED |
| 16 | P0118026 | BOLT 1/4" X 1-1/2" GR8 PLATED |
| 17 | P0115113 | BOLT 3/8" X 1-1/2" GR8 PLATED |
| 18 | P0118061 | BOLT 5/16" X 1" GR8 PLATED |
| 19 | P0116001 | ELEVATOR BOLT 1/4"X1-1/4" |
| 20 | P0131017 | NUT 5/16" PLATED GRADE 8 |
| 21 | P0131018 | NUT 3/8" PLATED GRADE 8 |
| 22 | P0131019 | NUT 3/4" PLATED GRADE 8 |
| 23 | P0134023 | LOCKNUT-NYLON-1/4" GR8 |
| 24 | P0134008 | LOCKNUT-NYLON-1/2" |
| 25 | P0141002 | TEK SCREW 1/4"X1" |
| 26 | P0145001 | VINYL SCREW CAP |
| 27 | P0145002 | SET SCREW-7/16"X2-1/2"SQ.HD. |
| 28 | P0151006 | FLAT WASHER 1/4"PLATED USS |
| 29 | P0161003 | COTTER PIN 3/16"X1-1/2"PLATED |
| 30 | P0162018 | HOPPER PIVOT SHAFT-18FL |
| 31 | P0521005 | HOPPER SPRING-L-.437 |
| 32 | P0521006 | HOPPER SPRING-R-.437 |
| 33 | P0711101 | CABLE 1/8" 7 X 19 GAC |
| 34 | P0712104 | CABLE CLAMP-1/8" GALV. |
| 35 | P0713104 | CABLE SHEAVE-1-1/4" W/BEARING |
| 36 | P1210010 | Washer Nylon 3/8 USS |
| 37 | P1211303 | Rubber Handle Cover 1/4 x 1 |
| 38 | P1641015 | TRIM LOCK |
| 39 | P1711002 | FLANGE UNIT-1-1/4"-SAFL206-20 |
| 40 | P2513012 | PIVOT SHAFT BRACKET TRADITIONAL |
| 41 | P20325001 | PITSTOP TRANSITION ROLLER |
| 42 | P162100224 | HOPPER CANVAS-18 TRANS.EXT.2' |

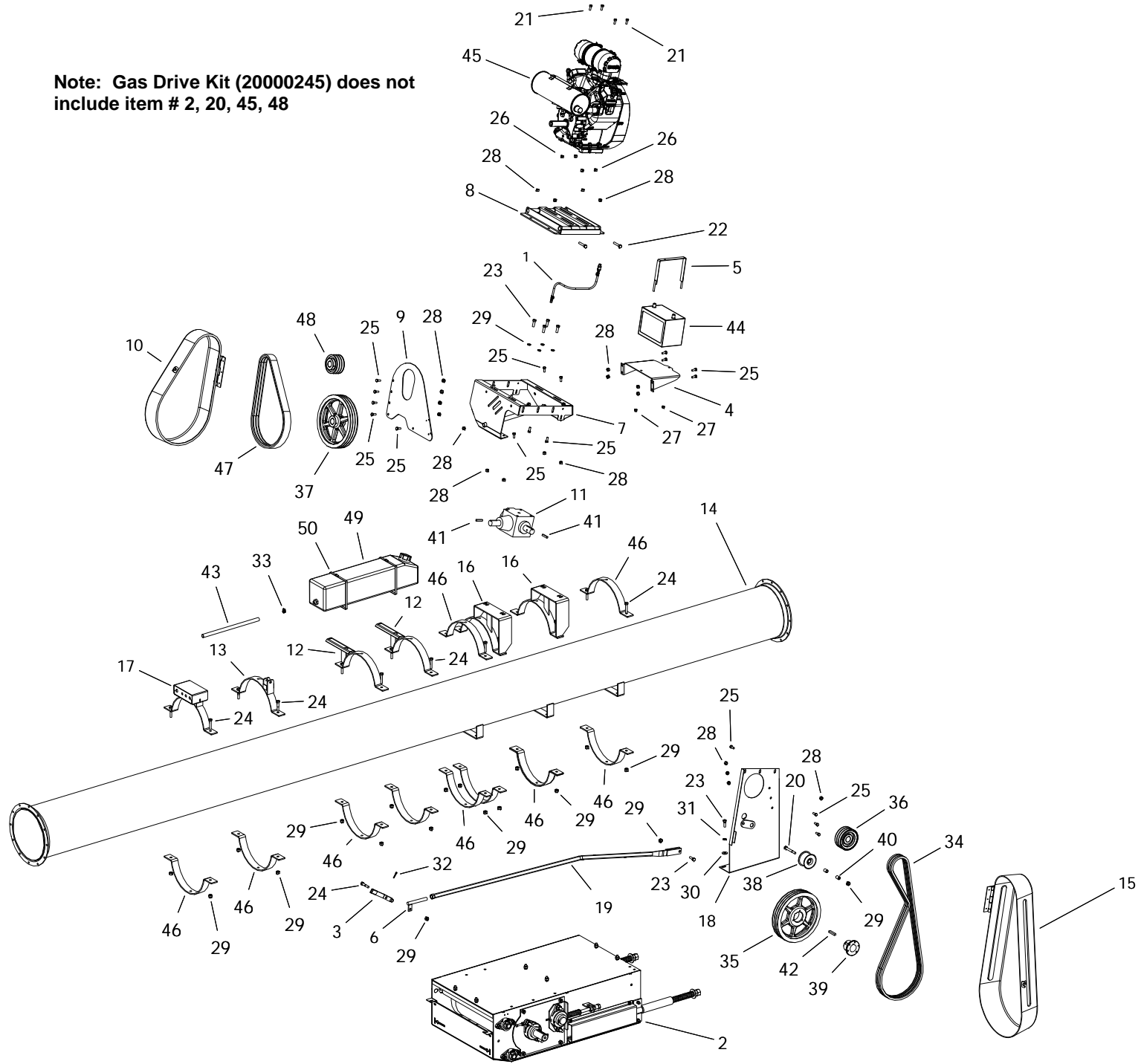
Note: Gas Drive Kit (20000245) does not include item # 2, 20, 45, 48



S-DRV DRCT GBOX W_OC AND TRPL (20000245)

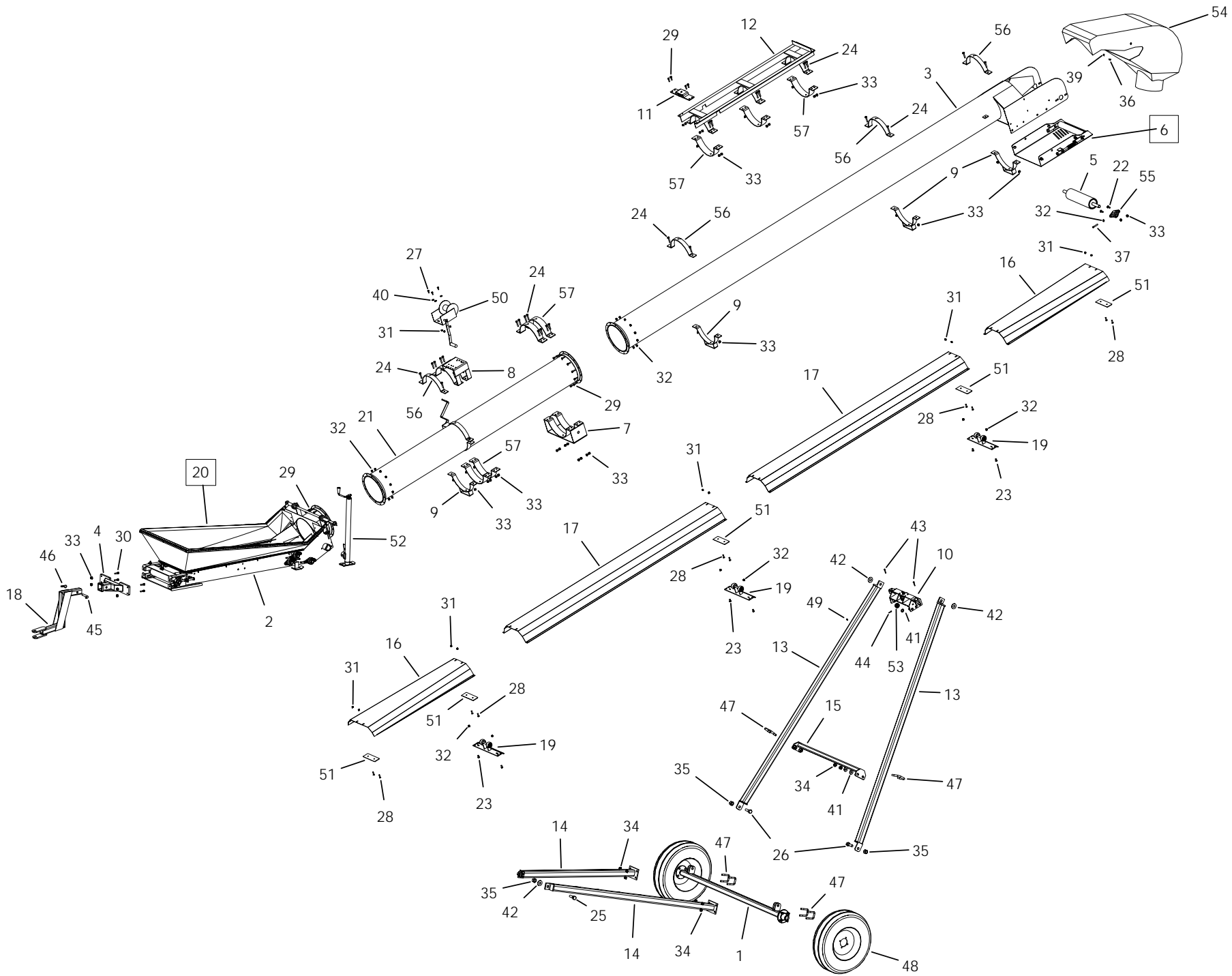
| ITEM | PART NO. | DESCRIPTION |
|------|-----------|------------------------------------|
| 1 | 01010003 | BREATHER DIRECT DRIVE |
| 2 | 24590020 | S-DRIVE ASM W/PINCH |
| 3 | 13010054 | MOTOR MT OVERCENTER HANDLE |
| 4 | 13012108 | MOTOR MOUNT BATTERY MOUNT |
| 5 | 13060054 | BATTERY CLAMP |
| 6 | 13060074 | OVERCENTER ADJUSTER |
| 7 | 13060102 | MOTOR MOUNT |
| 8 | 13060103 | SLIDER MOUNT |
| 9 | 13060107 | ENGINE GUARD BACK |
| 10 | 15040055 | PINCH GUARD SMALL ASSEMBLED |
| 11 | 15591001 | GBOX 90 2:1 CW/CW 1-1/2 4190 W/OIL |
| 12 | 18010028 | SIDE PLASTIC TANK MOUNT |
| 13 | 20010048 | MOTOR MT OVERCENTER ANCHOR BKT |
| 14 | 20020001 | CENTER SECTION 20' |
| 15 | 20040055 | PINCH GUARD EXTENDED ASSEMBLED |
| 16 | 20060018 | 20 DIRECT MOUNT U-CLAMP BRACKET |
| 17 | 20060080 | DIRECT DRV CONTROL BOX |
| 18 | 20060105 | 20S MOTOR MOUNT BACK PLATE |
| 19 | 24060084 | 24 MOTOR MT OVERCENTER PUSHROD |
| 20 | P0118130 | BOLT 1/2" X 4" GR8 PLATED |
| 21 | P0118062 | BOLT 5/16" X 2" GR8 PLATED |
| 22 | P0118066 | BOLT 5/16" X 3/4" GR8 PLATED |
| 23 | P0118013 | BOLT 1/2"X1 1/2" GR.8 PLATED |
| 24 | P0118017 | BOLT 1/2"X2-1/2"GRADE 8 PLATED |
| 25 | P0118076 | BOLT 7/16"X1" GRADE 8 PLATED |
| 26 | P0134027 | LOCKNUT-NYLON-5/16" GRADE 8 |
| 27 | P0134026 | LOCKNUT-NYLON-3/8" GRADE 8 |
| 28 | P0134007 | LOCKNUT-NYLON-7/16" |
| 29 | P0134008 | LOCKNUT-NYLON-1/2" |
| 30 | P0151029 | FLAT WASHER 1/2"PLATED USS |
| 31 | P0152008 | LOCK WASHER 1/2"PLATED |
| 32 | P0161003 | COTTER PIN 3/16"X1-1/2"PLATED |
| 33 | P0184033 | WIRE HOSE CLAMP .500" |
| 34 | P03210922 | BELT 3RB92 TRIPLE BANDED |
| 35 | P0328037 | PULLEY-TRPL-B-Q13.6"W/3"BORE |
| 36 | P0328050 | PULLEY-TRPL-6" W/1-1/2"BORE |
| 37 | P0328105 | PULLEY-TRPL. 3TB136-1-1/2 SP |
| 38 | P0328910 | IDLER-FLAT-4"TRPL 2-7/16"WIDE |
| 39 | P0340631 | HUB-Q1 1-15/16" |
| 40 | P0351019 | DNR-BUSHING 3/4"ODX1/2"IDX1"BRONZE |
| 41 | P0391002 | KEY 3/8" X 2" LONG |
| 42 | P0391007 | KEY 7/16" X 1/2" X 2-1/2" LONG |
| 43 | P0831008 | FUEL LINE-1/4"ID |
| 44 | P0951013 | BATTERY 420CCA |
| 45 | P1031094 | ENGINE 36 HP V-TWIN KOHLER |
| 46 | P2518202P | 2" U-CLAMP PAINTED |

Note: Gas Drive Kit (20000245) does not include item # 2, 20, 45, 48



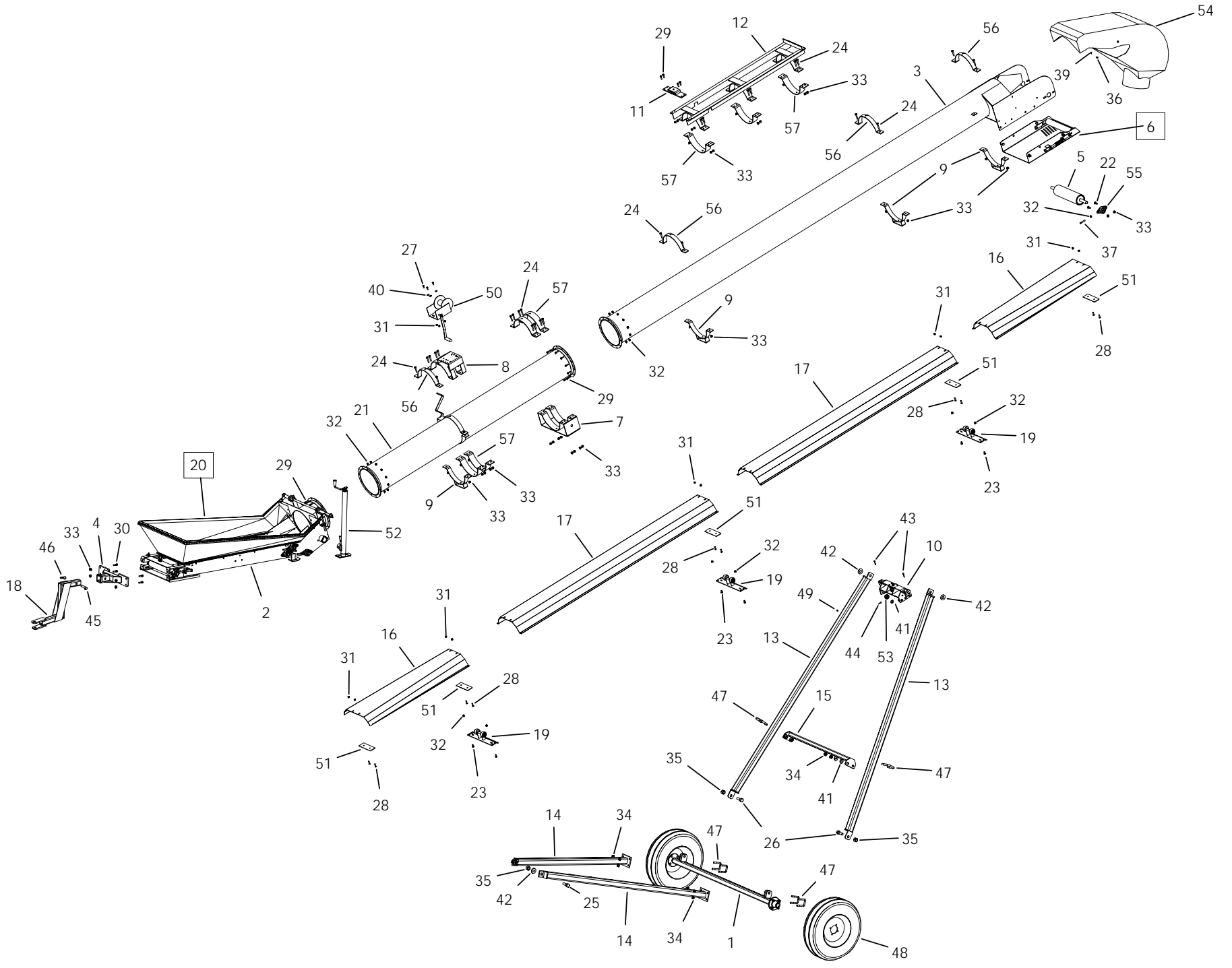
S-DRV DRCT GBOX W_OC AND TRPL (20000245)

| ITEM | PART NO. | DESCRIPTION |
|------|------------|----------------------------------|
| 47 | P03210592 | BELT 3RB59 TRIPLE BANDED |
| 48 | P03280391 | PULLEY-TRPL-B-4.6" W/1-1/8" BORE |
| 49 | P021200051 | GAS TANK W/CAP W/FITTING-22L |
| 50 | P029900216 | GEAR CLAMP 32" |



1835 FL TD-18503541

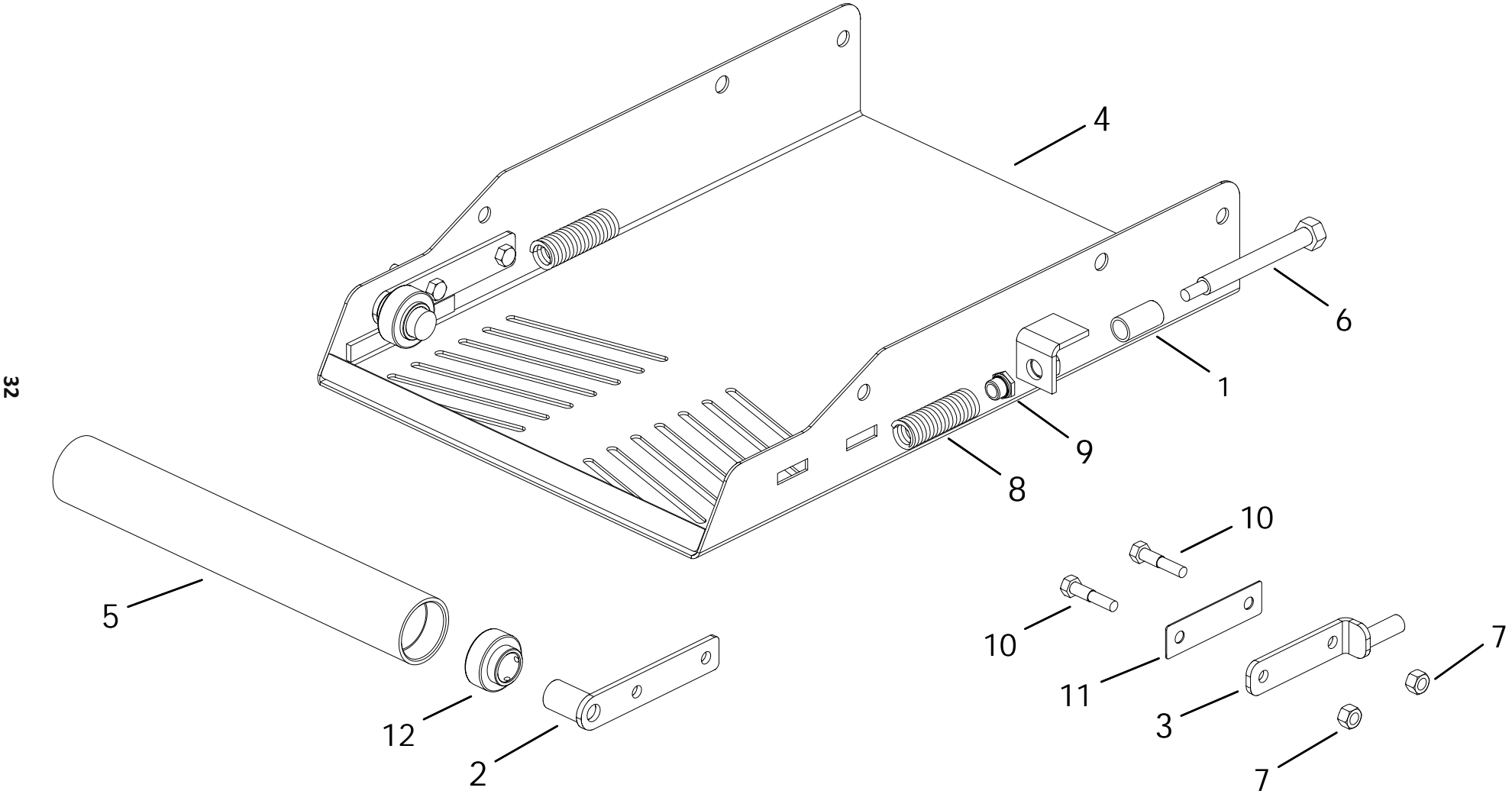
| ITEM | PART NO. | DESCRIPTION |
|------|-------------|-------------------------------------|
| 1 | 13030100 | AXLE 30-45-2-1/2" (WITH 8 LUGS) |
| 2 | 18000330 | HOPPER TYPE -FL |
| 3 | 18020002 | SPOUT SECTION 20' |
| 4 | 18030007 | HITCH FL (ONE PC) |
| 5 | 18070007 | TRANSFER SPOUT ROLLER |
| 6 | 18597000 | SPOUT PINCH RLLR KIT |
| 7 | 20010008 | SUSPENSION BRACKET-NO TABS |
| 8 | 20010023 | HAND WINCH MOUNT |
| 9 | 20010044 | MOUNT BRACKET -BLT RTRN |
| 10 | 20030001 | 20 TRACK SLIDER |
| 11 | 20030007 | LARGE CABLE ATTACHMENT |
| 12 | 20030018 | 35 Track |
| 13 | 20030053 | UPRIGHT-1835FL |
| 14 | 20030101 | AXLE ARM 1835/2035 |
| 15 | 20030350 | 15/20 FRAME CROSS BRACE |
| 16 | 20042202 | WEATHER GUARD 5' FLR - 61-1/2" |
| 17 | 20042301 | WEATHER GUARD 10' - 121-1/2" |
| 18 | 24030096 | 24 Z-DROP TONGUE |
| 19 | 200100811 | WG ROLLER MOUNT KIT W/ROLLERS |
| 20 | 1800030324P | HOPPER -COLLAPSABLE SWING |
| 21 | 20020001120 | 10' Center |
| 22 | P0113004 | CARRIAGE BOLT 1/2"X1-1/2"PLATED |
| 23 | P0113013 | CARRIAGE BOLT 7/16"X1" PLATED |
| 24 | P0114005 | TAP BOLT 1/2 X 2-1/2 GR.8 PLATED |
| 25 | P0118003 | BOLT 1" X 2-1/2" GR8 PLATED |
| 26 | P0118004 | BOLT 1" X 3" GR8 PLATED |
| 27 | P0118046 | BOLT 3/8" X 1" GR8 PLATED |
| 28 | P0115303 | CAPSCREW 3/8X1-1/4FLT HD SOCKET PTD |
| 29 | P0118077 | BOLT 7/16"X1-1/2" GRADE 8 PLATED |
| 30 | P0118090 | BOLT 1/2" X 1-3/4" GR8 PLATED |
| 31 | P0134026 | LOCKNUT-NYLON-3/8" GRADE 8 |
| 32 | P0134007 | LOCKNUT-NYLON-7/16" |
| 33 | P0134008 | LOCKNUT-NYLON-1/2" |
| 34 | P0134029 | LOCKNUT-NYLON-3/4" GRADE 8 |
| 35 | P0134030 | LOCKNUT-NYLON-1" GRADE 8 |
| 36 | P0141003 | TEK SCREW 1/4"X1-1/2" HEX WASHER |
| 37 | P0145002 | SET SCREW-7/16"X2-1/2"SQ.HD. |
| 38 | P0151001 | FLAT WASHER 1"BARE USS |
| 39 | P0151006 | FLAT WASHER 1/4"PLATED USS |
| 40 | P0151009 | FLAT WASHER 3/8"PLATED USS |
| 41 | P0151026 | FLAT WASHER 3/4"SAE |
| 42 | P0151031 | FLAT WASHER 1"PLATED USS |
| 43 | P0161001 | Cotter Pin 1/4 x 2 |
| 44 | P0161002 | COTTER PIN 5/32X1-1/2"PLATED |
| 45 | P0162002 | Pin Hitch 3/4 x 3 1/2 |
| 46 | P0163001 | HAIR PIN 3/16" X 3-1/4" |



1835 FL TD-18503541

| ITEM | PART NO. | DESCRIPTION |
|------|------------|------------------------------------|
| 47 | P0183004 | U-BOLT 3" X 3" -PLATED |
| 48 | P0615308 | TIRE ASM -6BLT ST205/75R15 LRC 6PL |
| 49 | P0712105 | CABLE CLAMP-5/16" GALV. |
| 50 | P0714103 | WINCH-2500# BRAKE |
| 51 | P1010002 | BI-MOUNT PLATE CAST |
| 52 | P1012009 | JACK-7000LB SQ.TUBE 25" EXT |
| 53 | P1211305 | ROLLER 2" NYLON |
| 54 | P1211801 | HOOD-LARGE ROUND 18 SERIES |
| 55 | P1711002 | FLANGE UNIT-1-1/4"-SAFL206-20 |
| 56 | P2518202P | 2" U-CLAMP PAINTED |
| 57 | P2518203P | 3" U-CLAMP PAINTED |
| 58 | P0711108 | CABLE-5/16" (44') (50740) |
| 59 | 1857035324 | 1835FLTD 2' EXT 81' 2" |
| 60 | P1243001 | CABLE TIE 14" 120 LB |
| 61 | P2227989 | MANUAL HOLDER AND LID |

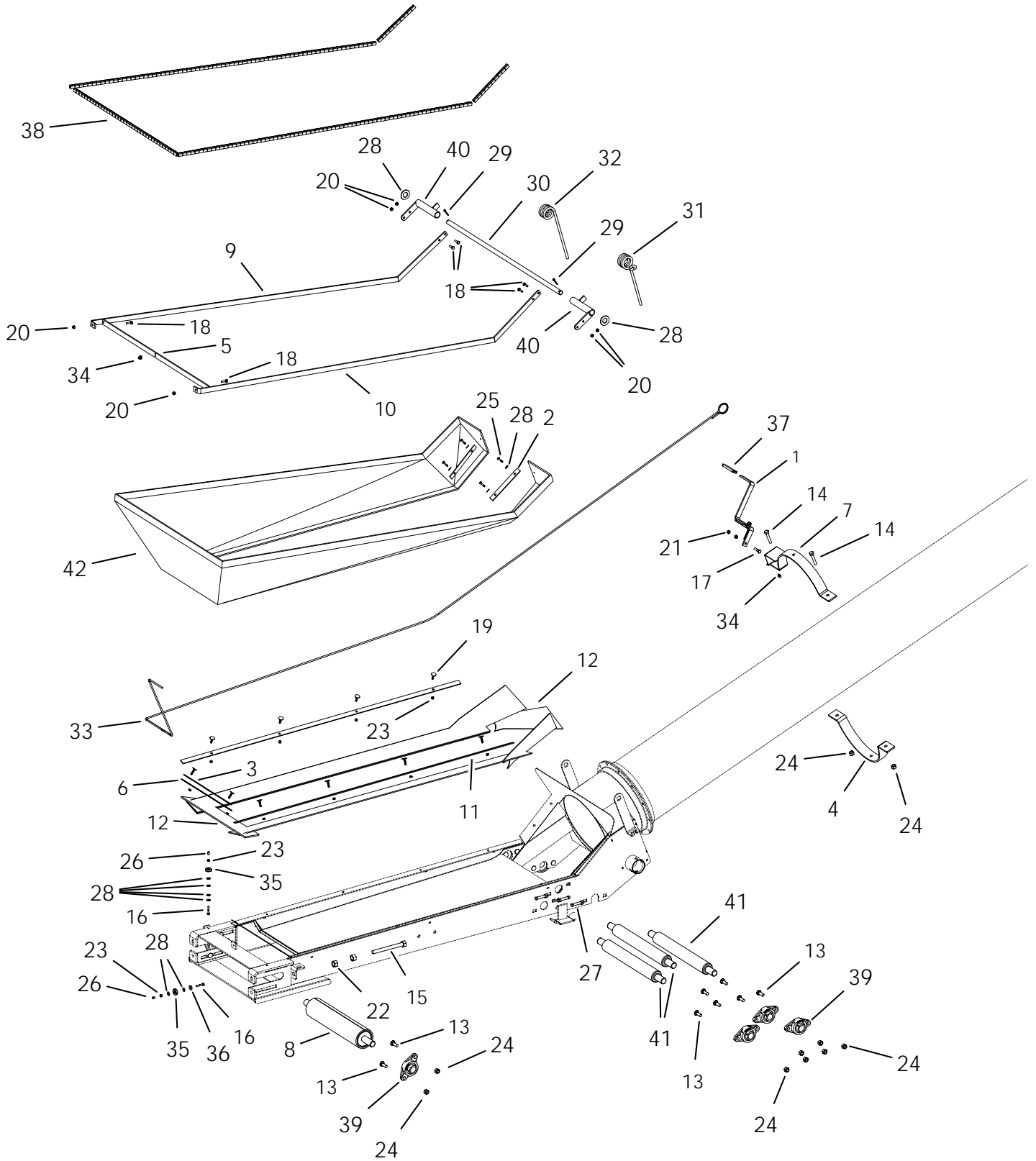
TD PINCH (18597000)



TD PINCH (18597000)

| ITEM | PART NO. | DESCRIPTION |
|------|-----------|---|
| 1 | 15062110 | TD PINCH PIPE |
| 2 | 15070026 | ROLLER MOUNT |
| 3 | 15070027 | PUSH BAR |
| 4 | 18061020 | TD PINCH MOUNT |
| 5 | 18072025 | SPOUT PINCH PIPE |
| 6 | P0113000 | SPRING TENSION BOLT |
| 7 | P0134008 | LOCKNUT-NYLON-1/2" |
| 8 | P0511008 | SPRING-LD-1300 SERIES |
| 9 | P0820129 | BUSHING BRASS FLANGED |
| 10 | P01180161 | BOLT 1/2" X 2-1/4" GR8 PLATED |
| 11 | P1211023 | TD PINCH SLIDER PLATE |
| 12 | P1742005 | BEARING-1-1/4" W/SET SCREWS-FLAT |
| 13 | P0351010 | MACHINERY BUSHING 7/8" MEDIUM (NOT SHOWN) |

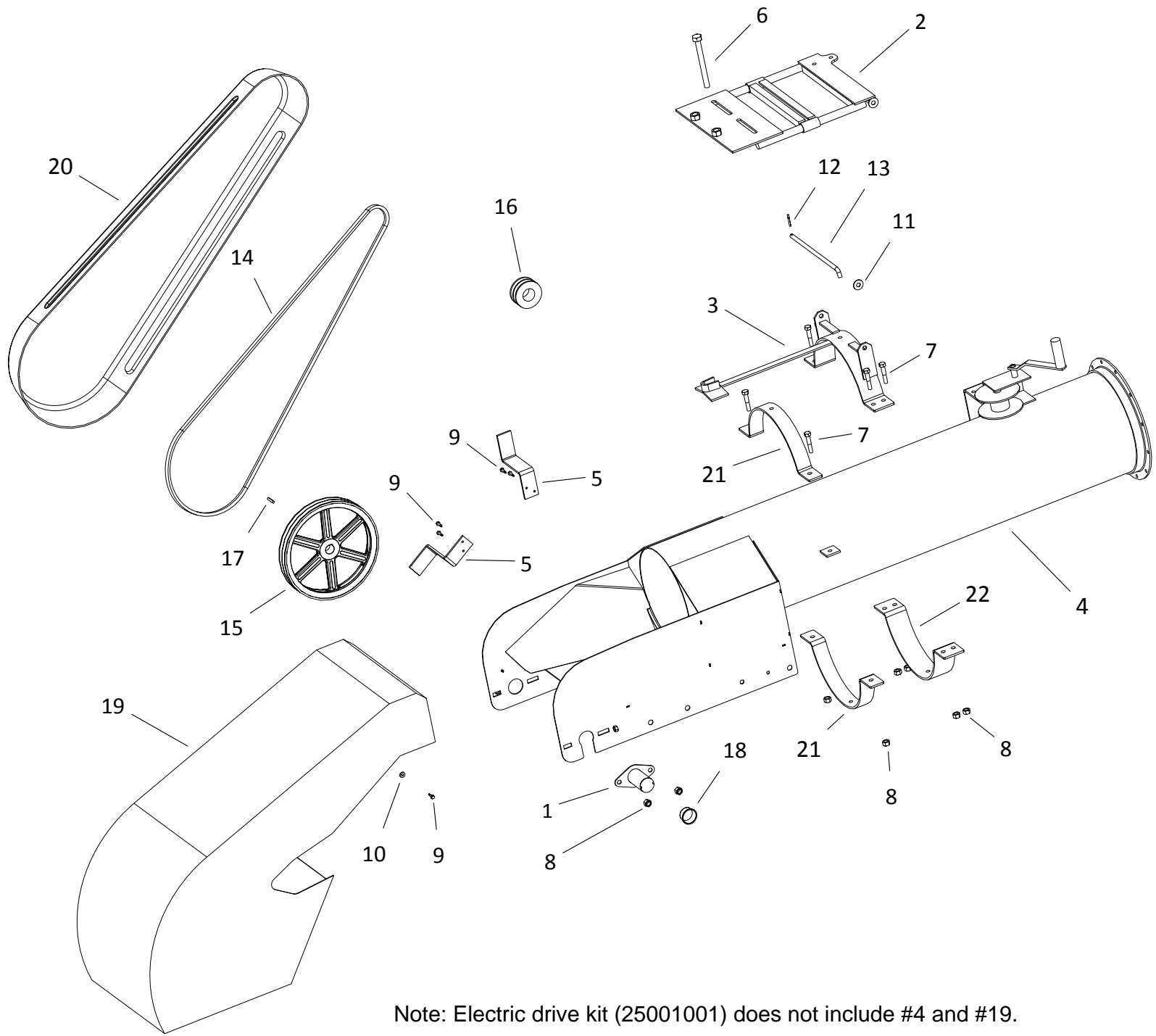
HOPPER (1800030324P)



HOPPER (1800030324P)

| ITEM | PART NO. | DESCRIPTION |
|------|-------------|-------------------------------------|
| | 1800030324P | HOPPER -COLLAPSABLE SWING |
| | 1800030824P | HOPPER -FLASHING ONLY FL E24 |
| 1 | 13100008 | HOPPER HANDLE |
| 2 | 13102059 | LOWER CLOTH FRAME TR TRNSITION (13) |
| 3 | 13102061 | LOWER CLOTH FRAME TR BACK (1314) |
| 4 | 18012002P | 2" U-CLAMP PAINTED |
| 5 | 18102035 | UPPPER CLOTH FRAME TR FRONT |
| 6 | 18102036 | LOWER CLOTH FRAME TR FRONT |
| 7 | 20010029 | SA COLLAPS HANDLE MOUNT |
| 8 | 25070002 | PITSTOP TAKE-UP ROLLER |
| 9 | 1310000124 | TRANSFER UPPER FRAME-RIGHT EXT.24" |
| 10 | 1310000224 | TRANSFER UPPER FRAME-LEFT EXT.24" |
| 11 | 1310206024 | LOWER CLOTH FRAME TR SIDE E24 |
| 12 | 1800030824 | HOPPER -FLASHING ONLY FL E24 |
| 13 | P0113004 | CARRIAGE BOLT 1/2"X1-1/2"PLATED |
| 14 | P0114005 | TAP BOLT 1/2 X 2-1/2 GR.8 PLATED |
| 15 | P0114007 | TAP BOLT 3/4 X 7 PLATED |
| 16 | P0118026 | BOLT 1/4" X 1-1/2" GR8 PLATED |
| 17 | P0115113 | BOLT 3/8" X 1-1/2" GR8 PLATED |
| 18 | P0118061 | BOLT 5/16" X 1" GR8 PLATED |
| 19 | P0116001 | ELEVATOR BOLT 1/4"X1-1/4" |
| 20 | P0131017 | NUT 5/16" PLATED GRADE 8 |
| 21 | P0131018 | NUT 3/8" PLATED GRADE 8 |
| 22 | P0131019 | NUT 3/4" PLATED GRADE 8 |
| 23 | P0134023 | LOCKNUT-NYLON-1/4" GR8 |
| 24 | P0134008 | LOCKNUT-NYLON-1/2" |
| 25 | P0141002 | TEK SCREW 1/4"X1" |
| 26 | P0145001 | VINYL SCREW CAP |
| 27 | P0145002 | SET SCREW-7/16"X2-1/2"SQ.HD. |
| 28 | P0151006 | FLAT WASHER 1/4"PLATED USS |
| 29 | P0161003 | COTTER PIN 3/16"X1-1/2"PLATED |
| 30 | P0162018 | HOPPER PIVOT SHAFT-18FL |
| 31 | P0521005 | HOPPER SPRING-L-.437 |
| 32 | P0521006 | HOPPER SPRING-R-.437 |
| 33 | P0711101 | CABLE 1/8" 7 X 19 GAC |
| 34 | P0712104 | CABLE CLAMP-1/8" GALV. |
| 35 | P0713104 | CABLE SHEAVE-1-1/4" W/BEARING |
| 36 | P1210010 | Washer Nylon 3/8 USS |
| 37 | P1211303 | Rubber Handle Cover 1/4 x 1 |
| 38 | P1641015 | TRIM LOCK |
| 39 | P1711002 | FLANGE UNIT-1-1/4"-SAFL206-20 |
| 40 | P2513012 | PIVOT SHAFT BRACKET TRADITIONAL |
| 41 | P20325001 | PITSTOP TRANSITION ROLLER |
| 42 | P162100224 | HOPPER CANVAS-18 TRANS.EXT.2' |

18" PITSTOP ELECTRIC DRIVE KIT (25001001)

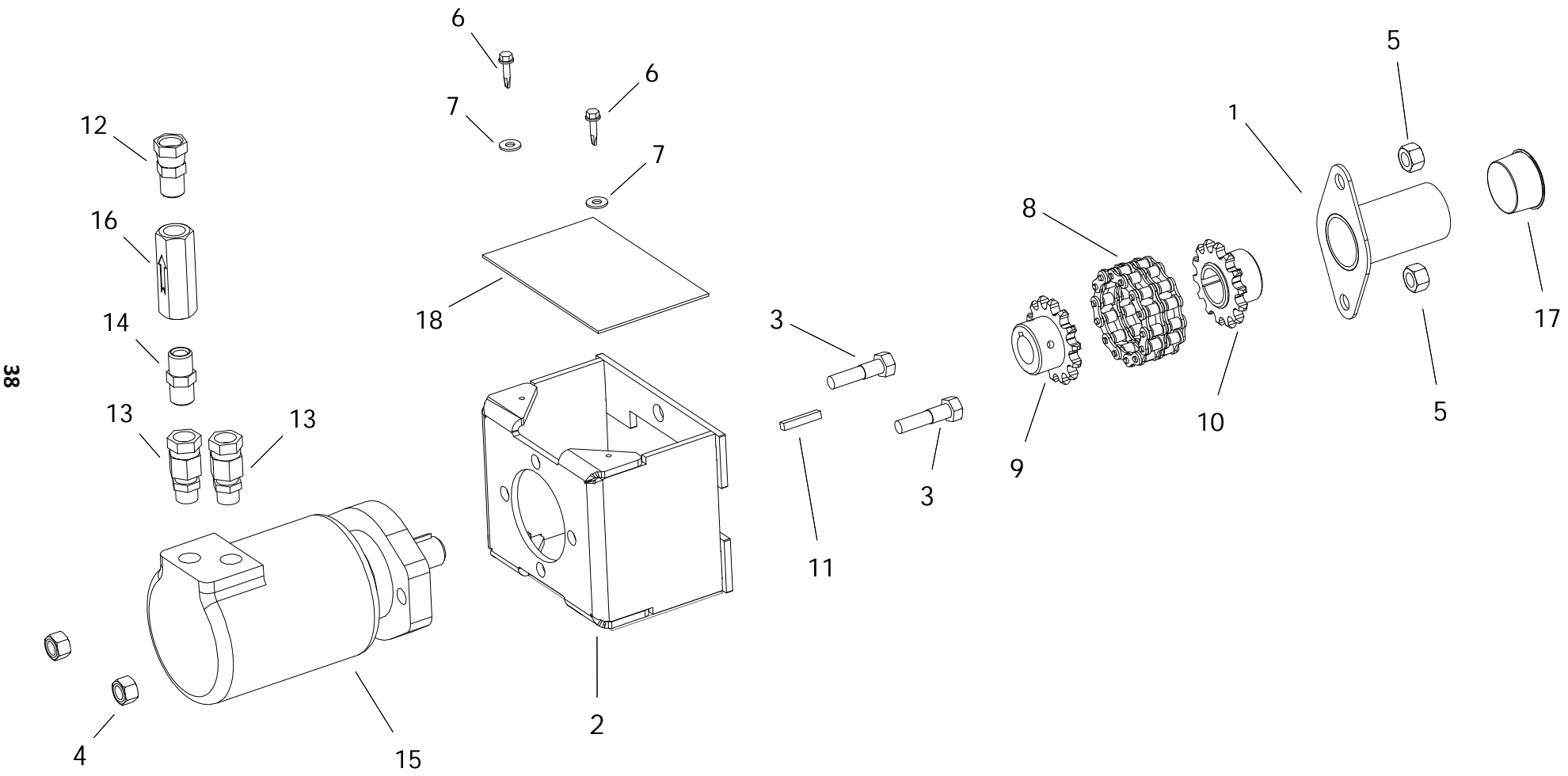


Note: Electric drive kit (25001001) does not include #4 and #19.

18" PITSTOP ELECTRIC DRIVE KIT (25001001)

| ITEM | PART NO. | DESCRIPTION |
|------|-----------|--------------------------------|
| 1 | 13041038 | SHAFT GUARD(FL-206) |
| 2 | 13060027 | 13 SERIES HD MOTOR MOUNT PLATE |
| 3 | 18060004 | ELECTRIC MOTOR CLAMP |
| 4 | 18100009 | Pitstop/Transfer Spout |
| 5 | 25013011 | PIT GUARD MOUNT |
| 6 | P0114007 | TAP BOLT 3/4 X 7 PLATED |
| 7 | P0118017 | BOLT 1/2"X2-1/2"GRADE 8 PLATED |
| 8 | P0134008 | LOCKNUT-NYLON-1/2" |
| 9 | P0141002 | TEK SCREW 1/4"X1" |
| 10 | P0151006 | FLAT WASHER 1/4"PLATED USS |
| 11 | P0151029 | FLAT WASHER 1/2"PLATED USS |
| 12 | P0161003 | COTTER PIN 3/16"X1-1/2"PLATED |
| 13 | P0162006 | PIN-ELECT.MTR.MNT-LONG |
| 14 | P0321108 | BELT B108 |
| 15 | P0328009 | PULLEY-DBL-B-14" W/1-1/4"BORE |
| 16 | P0328016 | PULLEY-DOUBLE-3.4" |
| 17 | P0391003 | KEY 1/4" X 1-1/2" LONG |
| 18 | P1210032 | FL-206 SHAFT GUARD PLUG |
| 19 | P1211801 | HOOD-LARGE ROUND 18 SERIES |
| 20 | P1211803 | PIT GUARD |
| 21 | P2518202P | 2" U-CLAMP PAINTED |
| 22 | P2518203P | 3" U-CLAMP PAINTED |

HYDRAULIC DRIVE KIT FOR 1814LP & TD (18000281)



HYDRAULIC DRIVE KIT FOR 1814LP & TD (18000281)

| ITEM | PART NO. | DESCRIPTION |
|------|----------|-------------------------------------|
| 1 | 13041038 | SHAFT GUARD(FL-206) |
| 2 | 25060003 | 2000 SERIES PITSTOP MOUNT |
| 3 | P0118016 | BOLT 1/2" X 2" GR8 PLATED |
| 4 | P0134008 | LOCKNUT-NYLON-1/2" |
| 5 | P0134008 | LOCKNUT-NYLON-1/2" |
| 6 | P0141002 | TEK SCREW 1/4"X1" |
| 7 | P0151006 | FLAT WASHER 1/4"PLATED USS |
| 8 | P0311001 | ROLLER CHAIN FOR DRIVE(50-2RX14+CL) |
| 9 | P0335140 | SPROCKET 5014 1.0(KEY0.25) |
| 10 | P0335141 | SPROCKET 5014 1.25(KEY0.25) |
| 11 | P0391003 | KEY 1/4" X 1-1/2" LONG |
| 12 | P0821112 | SWIVEL-1/2" STRAIGHT |
| 13 | P0821114 | SWIVEL-10ORBx1/2"FS |
| 14 | P0821133 | HEX NIPPLE-1/2" |
| 15 | P0841019 | HYD MOTOR-6.2-2000-1" |
| 16 | P0861035 | CHECK VALVE-1/2" (NO HOLE) |
| 17 | P1210032 | FL-206 SHAFT GUARD PLUG |
| 18 | P1210100 | 1 1/4 HYDMTR GUARD 4.5 X 6.5 |



Shipping: 201 Industrial Drive, Swift Current, Saskatchewan S9H 5R4, CANADA

Mailing: Box 1750, Swift Current, Saskatchewan S9H 4J8, CANADA

Toll-Free: (877) 667-7421 (Canada & USA)

Phone: (306) 773-7779

Fax: (306) 778-2524

Email: info@batcomfg.com

Web: www.batcomfg.com

Batco is part of the Ag Growth International group

© Ag Growth International 2019

Printed in Canada