



FX SERIES

PARTS MANUAL

**1545 FL FMD UM, 1545 FL FMD TM, 1535 TD FL, 1535 TD FL (SHORT),
1545 TD FL, 1545 TD FL (SHORT), 2045 FL FMD.**

TABLE OF CONTENTS

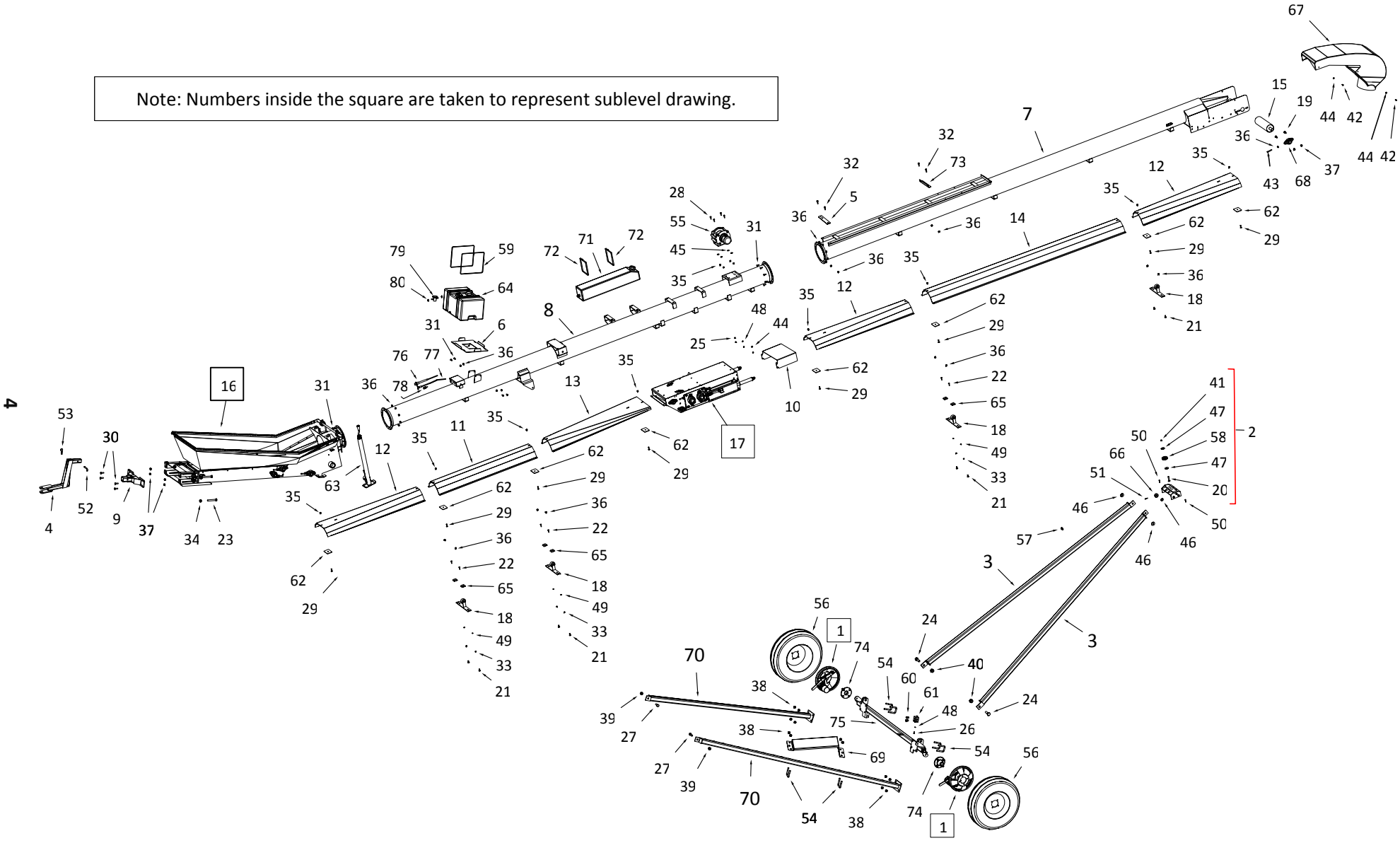
| DESCRIPTION | PAGE |
|--|------|
| FX 1545 FL FMD WITH UNDER MOUNT GAS KIT (15504537) | 4 |
| FX HOPPER (15100040) | 8 |
| S-DRIVE (15590020) | 12 |
| WHEEL MOVE (1512100X) | 14 |
| WHEEL MOVE DRIVE SYSTEM (13000144) | 18 |
| UNDER MOUNT GAS KIT (15595000) | 20 |
| FX 1545 FL FMD WITH TOP MOUNT GAS KIT (15504535) | 26 |
| FX HOPPER (15100040) | 30 |
| S-DRIVE (15590020) | 34 |
| WHEEL MOVE (1512100X) | 36 |
| WHEEL MOVE DRIVE SYSTEM (13000144) | 40 |
| TOP MOUNT GAS KIT | 42 |
| FX 1535 TD FL (15503531) | 44 |
| FX-SPOUT PINCH ROLLER KIT (15597003) | 48 |
| FX HOPPER (15100040) | 50 |
| ELECTRIC DRIVE KIT (15000275) | 54 |
| FX HYDRAULIC DRIVE KIT (15000285) | 56 |
| FX 1535 TD FL-SHORT (15503533) | 58 |
| FX-SPOUT PINCH ROLLER KIT (15597003) | 62 |
| FX SHORT HOPPER | 64 |
| ELECTRIC DRIVE KIT (15000275) | 66 |
| FX HYDRAULIC DRIVE KIT (15000285) | 68 |
| FX 1545 TD FL (15504531) | 70 |
| FX-SPOUT PINCH ROLLER KIT (15597003) | 74 |
| FX HOPPER (15100040) | 76 |
| ELECTRIC DRIVE KIT (15000275) | 80 |
| FX HYDRAULIC DRIVE KIT (15000285) | 82 |
| FX 1545 TD FL-SHORT (15504533) | 84 |
| FX-SPOUT PINCH ROLLER KIT (15597003) | 88 |
| FX SHORT HOPPER | 90 |
| ELECTRIC DRIVE KIT (15000275) | 92 |
| FX HYDRAULIC DRIVE KIT (15000285) | 94 |
| FX 2045 FL FMD (20504525) | 96 |
| FX HOPPER (2055585X) | 100 |
| S-DRIVE (20590020) | 102 |
| GAS DRIVE KIT (2059019X) | 104 |

TABLE OF CONTENTS

| DESCRIPTION | PAGE |
|------------------------------------|------|
| WHEEL MOVE (2012100X) | 108 |
| WHEEL MOVE DRIVE SYSTEM (20580143) | 112 |

FX 1545 FL FMD WITH UNDER MOUNT GAS KIT (15504537)

Note: Numbers inside the square are taken to represent sublevel drawing.

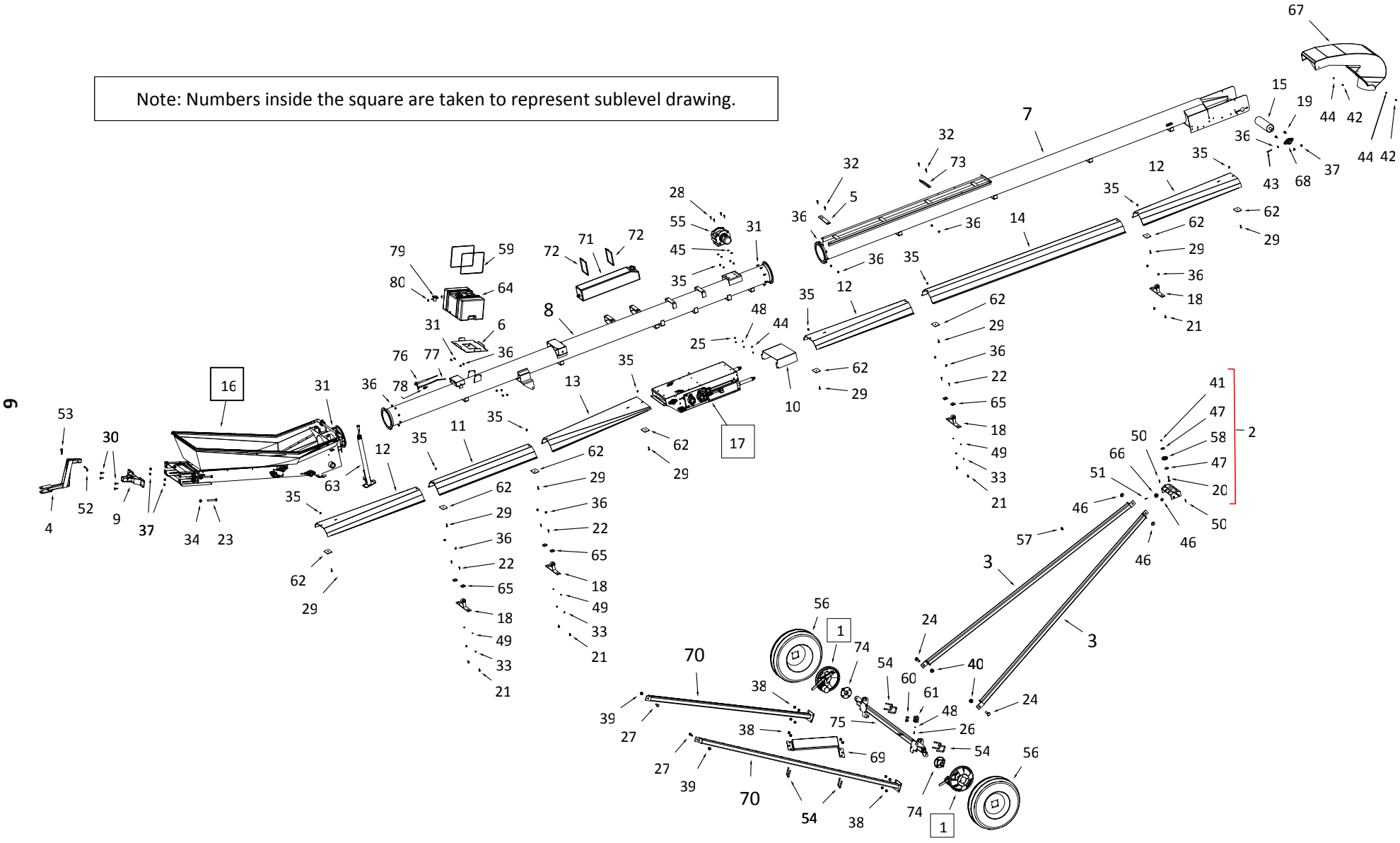


FX 1545 FL FMD WITH UNDER MOUNT GAS KIT (15504537)

| ITEM | PART NO. | DESCRIPTION |
|------|-----------|-------------------------------------|
| 1 | 13000144 | MOVER -WHEEL MOVE DRIVE SYS. 3"AXLE |
| 2 | 13030042 | 13/15 TRACK SLIDER |
| 3 | 13030048 | UPRIGHT ARM 45FL |
| 4 | 13030096 | FL Z-DROP TONGUE |
| 5 | 13032094 | 35/45 SMALL CABLE ATTACH |
| 6 | 15011016 | GAS TANK MOUNT BRACKET PAINTED |
| 7 | 15020030 | SPOUT SECTION 20' WELD ON TRACK |
| 8 | 15020033 | 1545FL CENTER - WELD ON EPA |
| 9 | 15030007 | HITCH FL (ONE PC) |
| 10 | 15040040 | PINCH DRIVE FRONT GUARD |
| 11 | 15042101 | WEATHER GUARD 5' - 61-1/2" |
| 12 | 15042102 | WEATHER GUARD 5' FLR - 61-1/2" |
| 13 | 15042103 | WEATHER GUARD 5' FLAT - 61-1/2" |
| 14 | 15042121 | WEATHER GUARD 10' - 121-1/2" |
| 15 | 15070031 | 1545FMD SPOUT ROLLER LAGGED |
| 16 | 15555545 | FX-15 HOPPER RLLER KIT -FL |
| 17 | 15590020 | S-DRIVE ASM W/PINCH |
| 18 | 150100911 | WEATHER GUARD MOUNT BAR KIT-POLY |
| 19 | P0113004 | CARRIAGE BOLT 1/2"X1-1/2"PLATED |
| 20 | P0113009 | BOLT CARRIAGE 1/2"X2-3/4" GR5 |
| 21 | P0113013 | CARRIAGE BOLT 7/16"X1" PLATED |
| 22 | P0113020 | CARRIAGE BOLT 5/16"X1-1/2"PLATED |
| 23 | P0114006 | TAP BOLT 3/4 X 5 PLATED |
| 24 | P0115004 | BOLT 1" X 3" GRADE 5 PLATED |
| 25 | P0118033 | BOLT 1/4" X 3/4" GR8 PLATED |
| 26 | P0118033 | BOLT 1/4" X 3/4" GR8 PLATED |
| 27 | P0115036 | BOLT 3/4" X 2" GRADE 5 PLATED |
| 28 | P0115047 | BOLT 3/8"X1-1/2" GRADE 5 PLATED |
| 29 | P0115303 | CAPSCREW 3/8X1-1/4FLT HD SOCKET PTD |
| 30 | P0118013 | BOLT 1/2"X1 1/2" GR.8 PLATED |
| 31 | P0118076 | BOLT 7/16"X1" GRADE 8 PLATED |
| 32 | P0118077 | BOLT 7/16"X1-1/2" GRADE 8 PLATED |
| 33 | P0131017 | NUT 5/16" PLATED GRADE 8 |
| 34 | P0131112 | NUT 3/4"PLATED |
| 35 | P0134026 | LOCKNUT-NYLON-3/8" GRADE 8 |
| 36 | P0134007 | LOCKNUT-NYLON-7/16" |
| 37 | P0134008 | LOCKNUT-NYLON-1/2" |
| 38 | P0134010 | LOCKNUT-NYLON-5/8" |
| 39 | P0134012 | LOCKNUT-NYLON-3/4" |
| 40 | P0134016 | LOCKNUT-NYLON-1" |
| 41 | P0134108 | LOCKNUT-TENSILOCK-1/2" |
| 42 | P0141002 | TEK SCREW 1/4"X1" |
| 43 | P0145002 | SET SCREW-7/16"X2-1/2"SQ.HD. |
| 44 | P0151006 | FLAT WASHER 1/4"PLATED USS |
| 45 | P0151009 | FLAT WASHER 3/8"PLATED USS |
| 46 | P0151026 | FLAT WASHER 3/4"SAE |

FX 1545 FL FMD WITH UNDER MOUNT GAS KIT (15504537)

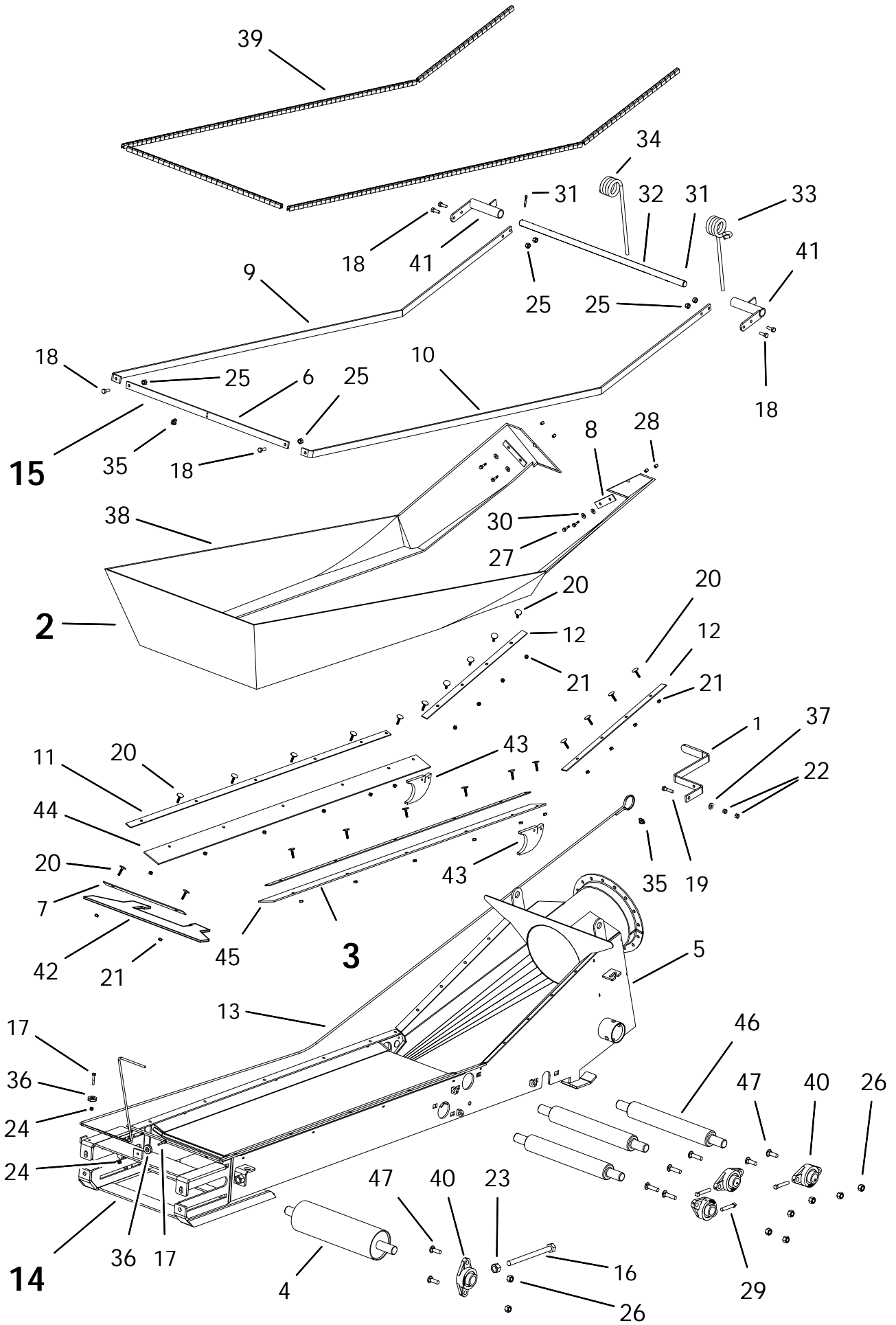
Note: Numbers inside the square are taken to represent sublevel drawing.



FX 1545 FL FMD WITH UNDER MOUNT GAS KIT (15504537)

| ITEM | PART NO. | DESCRIPTION |
|------|--------------|---|
| 47 | P0151029 | FLAT WASHER 1/2"PLATED USS |
| 48 | P0152004 | LOCK WASHER 1/4"PLATED |
| 49 | P0152010 | LOCK WASHER 5/16"PLATED |
| 50 | P0161001 | Cotter Pin 1/4 x 2 |
| 51 | P0161002 | COTTER PIN 5/32X1-1/2"PLATED |
| 52 | P0162001 | HITCH PIN 1/2" X 3" PLATED |
| 53 | P0163001 | HAIR PIN 3/16" X 3-1/4" |
| 54 | P0183003 | U-BOLT 2-1/2" X 2-1/2" (5/8) PLATED |
| 55 | P0217634B | HYDRAULIC WINCH KIT |
| 56 | P0614301 | TIRE ASSEMBLY-15"X4.5"X4BOLT |
| 57 | P0712105 | CABLE CLAMP-5/16" GALV. |
| 58 | P0713105 | CABLE SHEAVE-3" |
| 59 | P0820807 | CLAMP 2 X 50" |
| 60 | P0821127 | SWIVEL-3/8"-STR. |
| 61 | P0861201 | CUSHION BLOCK, COMPLETE |
| 62 | P1010001 | UNI-MOUNT PLATE CAST |
| 63 | P1012009 | JACK-7000LB SQ.TUBE 25" EXT |
| 64 | P1210026 | EPA GAS TANK - 45L(12 GAL) |
| 65 | P1210030 | BELT GUIDE BLOCK |
| 66 | P1211305 | ROLLER 2" NYLON |
| 67 | P1211501 | HOOD-ROUND 15 SERIES (KANBAN) |
| 68 | P1711002 | FLANGE UNIT-1-1/4"-SAFL206-20 |
| 69 | P2513003P | INSPECTION STEP BI-MOUNT PAINTED |
| 70 | P2513007 | AXLE ARM 30/35TD/45-2-1/2" |
| 71 | P029900052-3 | TANK, 22L, BLK W/FTG, CAP HOSE |
| 72 | P029900216 | GEAR CLAMP 32" |
| 73 | 13032125 | BOLT ON ANGLE |
| 74 | P0614102 | HUB-HA411 C/W BRGS-4 BOLT |
| 75 | 13030151 | AXLE 30-45-2-1/2" W/WM COMP-FX Only(SN brk) |
| 76 | P0712114 | THROTTLE CONTROL 15' |
| 77 | P0712102 | CHOKE CABLE-15' LOCKING |
| 78 | P1031112 | ENGINE 32HP KOHLER IGNITION SWITCH |
| 79 | P1210039 | EPA FUEL DEMAND VALVE |
| 80 | P0184033 | WIRE HOSE CLAMP .500" |

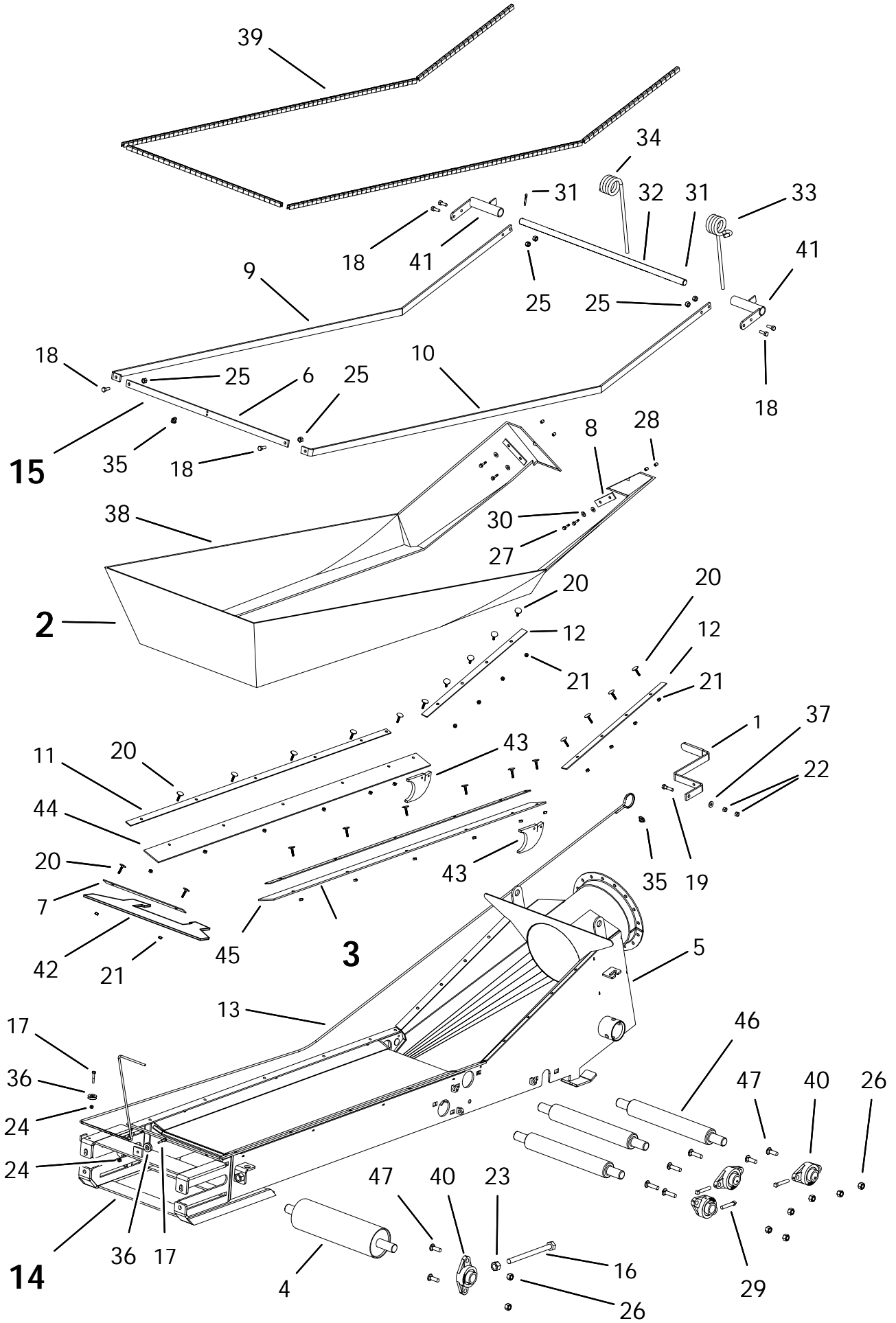
FX HOPPER (15100040)



FX HOPPER (15100040)

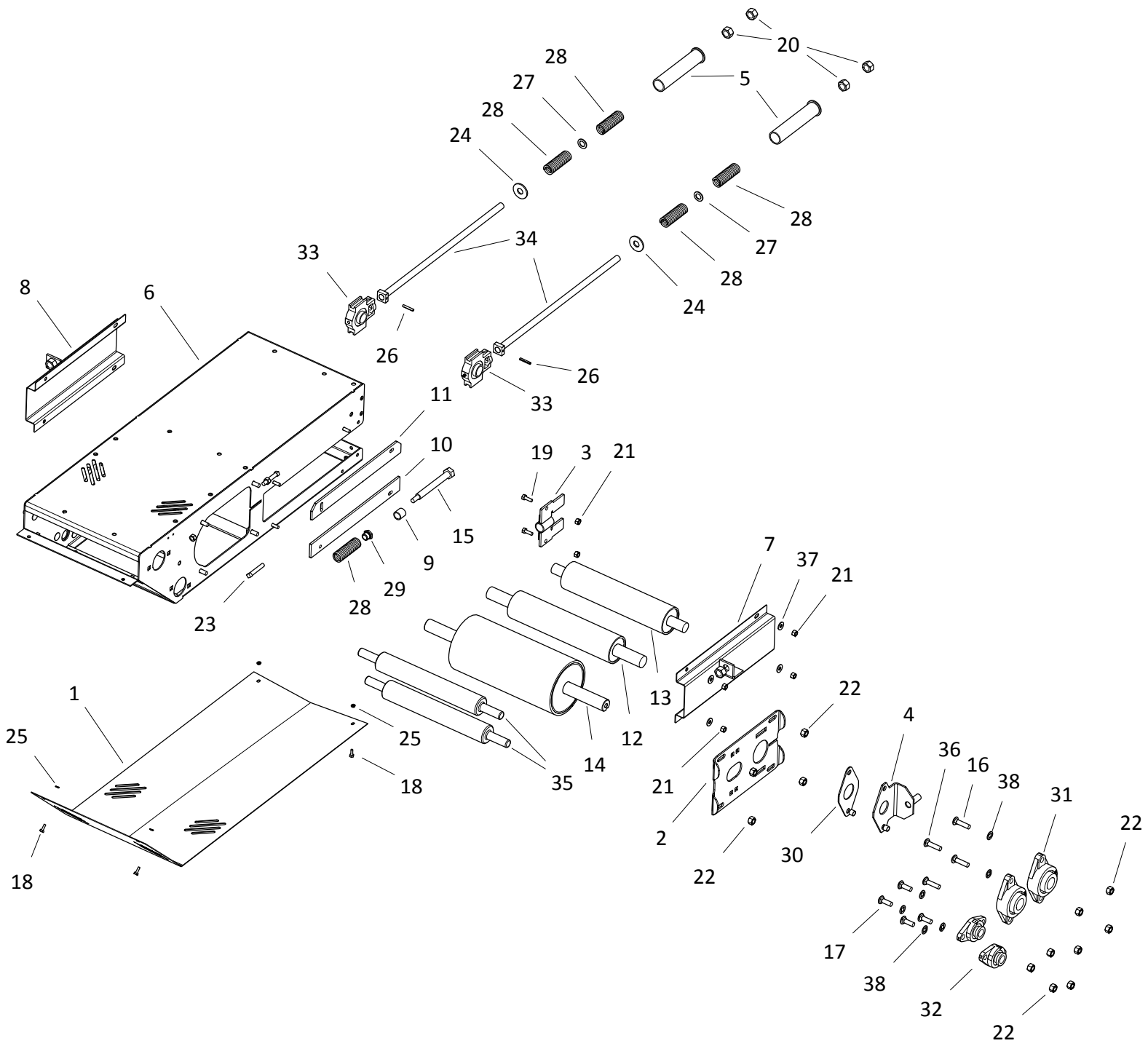
| ITEM | PART NO. | DESCRIPTION |
|------|-----------|------------------------------------|
| 1 | 13100008 | HOPPER HANDLE |
| 2 | 15000291 | FX HOPPER -COLLAPSABLE FL |
| 3 | 15000292 | FX-HOPPER -FLASHING ONLY FL |
| 4 | 15070012 | TAKE-UP ROLLER-1-1/4" LAGGED |
| 5 | 15100040 | FX-15FL HOPPER |
| 6 | 15102018 | UPPER CLOTH FRAME TR FRONT |
| 7 | 15102058 | LOWER CLOTH FRAME TR FRONT |
| 8 | 15102061 | LOWER CLOTH FRAME TR BACK |
| 9 | 15102184 | 15FL UPPER CLOTH FRAME RIGHT FX |
| 10 | 15102185 | 15FL UPPER CLOTH FRAME LEFT FX |
| 11 | 15102189 | 15FL LOWER CLOTH FRAME SIDE |
| 12 | 15102190 | 15FL LOWER CLOTH FRAME TRANS |
| 13 | 15103229 | CABLE 1/8" 7X19 GAC (18') |
| 14 | 15555545 | FX-15 HOPPER RLLER KIT -FL |
| 15 | 15100121 | HOPPER CLOTH FRAME-UPPER KIT FX |
| 16 | P0114010 | TAP BOLT 3/4 X 9 UNC GR.5 PLATED |
| 17 | P0115026 | BOLT 1/4" X 1-1/2" GR5 PLATED |
| 18 | P0115046 | BOLT 3/8"X1" GRADE 5 PLATED |
| 19 | P0115047 | BOLT 3/8"X1-1/2" GRADE 5 PLATED |
| 20 | P0116001 | ELEVATOR BOLT 1/4"X1-1/4" |
| 21 | P0131016 | NUT 1/4" PLATED GRADE 8 |
| 22 | P0131006 | NUT 3/8" PLATED |
| 23 | P0131112 | NUT 3/4"PLATED |
| 24 | P0134004 | LOCKNUT-NYLON-1/4" |
| 25 | P0134026 | LOCKNUT-NYLON-3/8" GRADE 8 |
| 26 | P0134008 | LOCKNUT-NYLON-1/2" |
| 27 | P0141002 | TEK SCREW 1/4"X1" |
| 28 | P0145001 | VINYL SCREW CAP |
| 29 | P0145004 | SET SCREW-7/16"X1-1/2"SQ.HD.PLATED |
| 30 | P0151006 | FLAT WASHER 1/4"PLATED USS |
| 31 | P0161003 | COTTER PIN 3/16"X1-1/2"PLATED |
| 32 | P0162007 | HOPPER PIVOT SHAFT-13/15 |
| 33 | P0521005 | HOPPER SPRING-L-.437 |
| 34 | P0521006 | HOPPER SPRING-R-.437 |
| 35 | P0712104 | CABLE CLAMP-1/8" GALV. |
| 36 | P0713104 | CABLE SHEAVE-1-1/4" W/BEARING |
| 37 | P1210010 | Washer Nylon 3/8 USS |
| 38 | P1621024 | HOPPER CANVAS FX15FL |
| 39 | P1641015 | TRIM LOCK |
| 40 | P1711002 | FLANGE UNIT-1-1/4"-SAFL206-20 |
| 41 | P2515017 | PIVOT SHAFT BRACKET |
| 42 | P19159012 | FRONT HOPPER FLASHING |
| 43 | P19159020 | FX-HOPPER SIDE FLASHING |
| 44 | P19159021 | FX-15FL HOPPER FLASHING LH |
| 45 | P19159022 | FX-15FL HOPPER FLASHING RH |
| 46 | P20315003 | FX-15FL TRANSITION ROLLER |

FX HOPPER (15100040)



FX HOPPER (15100040)

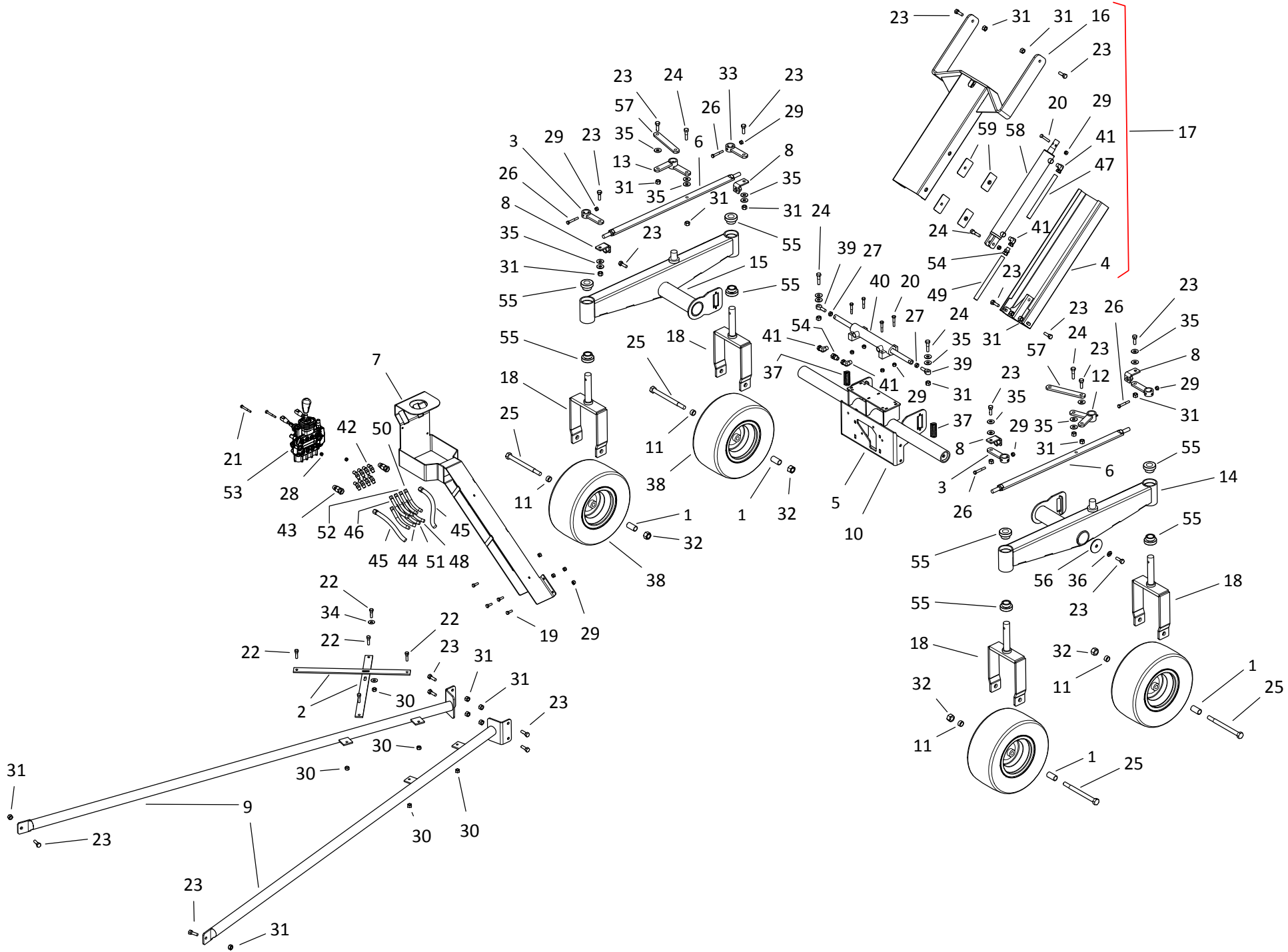
| ITEM | PART NO. | DESCRIPTION |
|------|----------|---------------------------------|
| 47 | P0113004 | CARRIAGE BOLT 1/2"X1-1/2"PLATED |



S-DRIVE (15590020)

| ITEM | PART NO. | DESCRIPTION |
|------|-----------|-------------------------------------|
| 1 | 15040001 | PINCH SD BOTTOM GUARD |
| 2 | 15060061 | SD COVER PLATE 6-1/2"ROLLER |
| 3 | 15060027 | S-DRIVE TENSION INDICATOR |
| 4 | 15060082 | PINCH TIGHTENER PLATE |
| 5 | 15060504 | PRETENSIONER 1550 |
| 6 | 15061045 | S-DRIVE PINCH |
| 7 | 15061046 | SIDE GUARD LH |
| 8 | 15061047 | SIDE GUARD RH |
| 9 | 15062010 | PINCH PIPE |
| 10 | 15062179 | S-DRIVE SLIDER BOLT PLATE - BOTTOM |
| 11 | 15062180 | S-DRIVE SLIDER BOLT PLATE - TOP |
| 12 | 15070019 | 3-1/2"TAKE-UP (PINCH) |
| 13 | 15070020 | 3-1/2"TAKE-UP 19.5"SHAFT |
| 14 | 15070030 | DRIVE ROLLER-6-1/2" W/EXT SHAFT |
| 15 | P0113000 | SPRING TENSION BOLT |
| 16 | P0113001 | CARRIAGE BOLT 1/2"X2" PLATED |
| 17 | P0113004 | CARRIAGE BOLT 1/2"X1-1/2"PLATED |
| 18 | P0118033 | BOLT 1/4" X 3/4" GR8 PLATED |
| 19 | P0118046 | BOLT 3/8" X 1" GR8 PLATED |
| 20 | P0131019 | NUT 3/4" PLATED GRADE 8 |
| 21 | P0134026 | LOCKNUT-NYLON-3/8" GRADE 8 |
| 22 | P0134008 | LOCKNUT-NYLON-1/2" |
| 23 | P0145004 | SET SCREW-7/16"X1-1/2"SQ.HD.PLATED |
| 24 | P0151015 | FLAT WASHER 3/4"PLATED USS |
| 25 | P0152004 | LOCK WASHER 1/4"PLATED |
| 26 | P0167001 | SPRING PIN 1/4" X 1-1/2" |
| 27 | P0351015 | MACHINERY BUSH 3/4"X1-1/4"-14G PTD. |
| 28 | P0511008 | SPRING-LD-1300 SERIES |
| 29 | P0820129 | BUSHING BRASS FLANGED |
| 30 | P1210102 | BELT TIGHTENER SLIDER PLATE FL208 |
| 31 | P1711001 | FLANGE UNIT-1-1/2"-SAFL208-24 |
| 32 | P1711004 | FLANGE UNIT-1"-SAFL205-16 |
| 33 | P1721001 | TAKE-UP UNIT-1-1/4"-T206-20 |
| 34 | P2515006 | 15 S-DRIVE TIGHTENER BOLT |
| 35 | P20315001 | S-DRIVE RETURN-1" ROLLER |
| 36 | P0113003 | CARRIAGE BOLT 1/2"X2-1/2"PLATED |
| 37 | P0151009 | FLAT WASHER 3/8"PLATED USS |
| 38 | P0151037 | FLAT WASHER 0.531 SQUARE-1.00-0.060 |

WHEEL MOVE (1512100X)

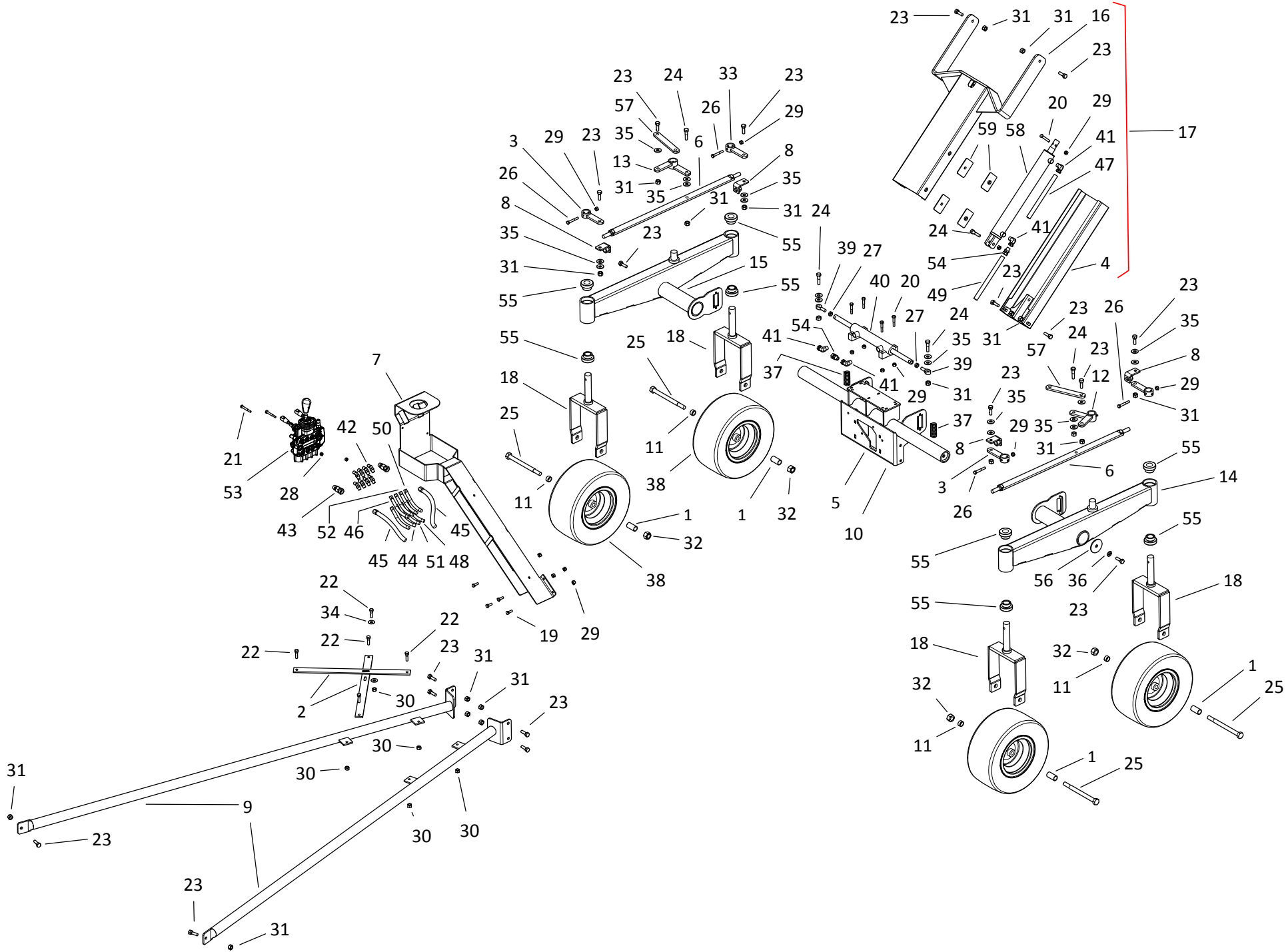


WHEEL MOVE (1512100X)

| ITEM | PART NO. | DESCRIPTION |
|------|-----------|------------------------------------|
| 1 | 15062110 | TD PINCH PIPE |
| 2 | 15121001 | CROSS BRACE (KAN) |
| 3 | 15121009 | CASTER STEERING LINK |
| 4 | 15121011 | SLIDER LOWER WELDMENT |
| 5 | 15121012 | MOVER KIT AXLE WELDMENT |
| 6 | 15121016 | STEERING LINK WELDMENT |
| 7 | 15121017 | CONTROL ARM |
| 8 | 15121019 | STEERING LINK END WELDMENT |
| 9 | 15121021 | TRANSPORT FRAME PIPE |
| 10 | 15121022 | CHASSIS ASSY |
| 11 | 15121023 | 3/4" X 1/2" SPACER |
| 12 | 15121027 | STEERING PIVOT RH |
| 13 | 15121028 | STEERING PIVOT LH |
| 14 | 15121029 | WALKING BEAM RH |
| 15 | 15121030 | WALKING BEAM LH |
| 16 | 20121010 | SLIDER TOP WELDMENT |
| 17 | 20121020 | SLIDER ARM ASSY |
| 18 | 131200052 | FORK-STRAIGHT 90DEG WIDE |
| 19 | P0118046 | BOLT 3/8" X 1" GR8 PLATED |
| 20 | P0118050 | BOLT 3/8" X 2" GR8 PLATED |
| 21 | P0118063 | BOLT 5/16" X 2-1/2" GR8 PLATED |
| 22 | P0118077 | BOLT 7/16"X1-1/2" GRADE 8 PLATED |
| 23 | P0118013 | BOLT 1/2"X1 1/2" GR.8 PLATED |
| 24 | P0118016 | BOLT 1/2" X 2" GR8 PLATED |
| 25 | P0118048 | Bolt Hex GR8 3/4 x 9 |
| 26 | P0118051 | BOLT 3/8" X 2-1/2" GR8 PLATED |
| 27 | P0133107 | NUT JAM 1/2" UNF GR5 |
| 28 | P0134027 | LOCKNUT-NYLON-5/16" GRADE 8 |
| 29 | P0134026 | LOCKNUT-NYLON-3/8" GRADE 8 |
| 30 | P0134007 | LOCKNUT-NYLON-7/16" |
| 31 | P0134008 | LOCKNUT-NYLON-1/2" |
| 32 | P0134029 | LOCKNUT-NYLON-3/4" GRADE 8 |
| 33 | P0145006 | SET SCREW 3/8" X 3/8" UNC |
| 34 | P0151012 | FLAT WASHER 7/16"PLATED USS |
| 35 | P0151029 | FLAT WASHER 1/2"PLATED USS |
| 36 | P0152008 | LOCK WASHER 1/2"PLATED |
| 37 | P0511011 | SPRING-COMP-1.25"X3" (0.625 ID) |
| 38 | P0614307 | TIRE & RIM 16X7.50-8 TM |
| 39 | P0631012 | TIE ROD END BALL JOINT 1/2" M UNF |
| 40 | P0811001 | HYD CYL- DBL 1-1/2" X 5-5/8" |
| 41 | P0820007 | SWIVEL-3/8"PT/90D |
| 42 | P0820611 | ELBOW-6 ORBX3/8"JIC M 45 |
| 43 | P0821130 | SWIVEL-8 ORBX1/2"FPS |
| 44 | P0832027 | HOSE 3/8(12'6")-3/8FJICX-3/8MPT PC |
| 45 | P0832044 | HOSE 1/2(32'6")-1/2MPT-1/2MPT PC |
| 46 | P0832052 | HOSE 3/8(32'6")-3/8MPT-3/8FJICX PC |

WHEEL MOVE (1512100X)

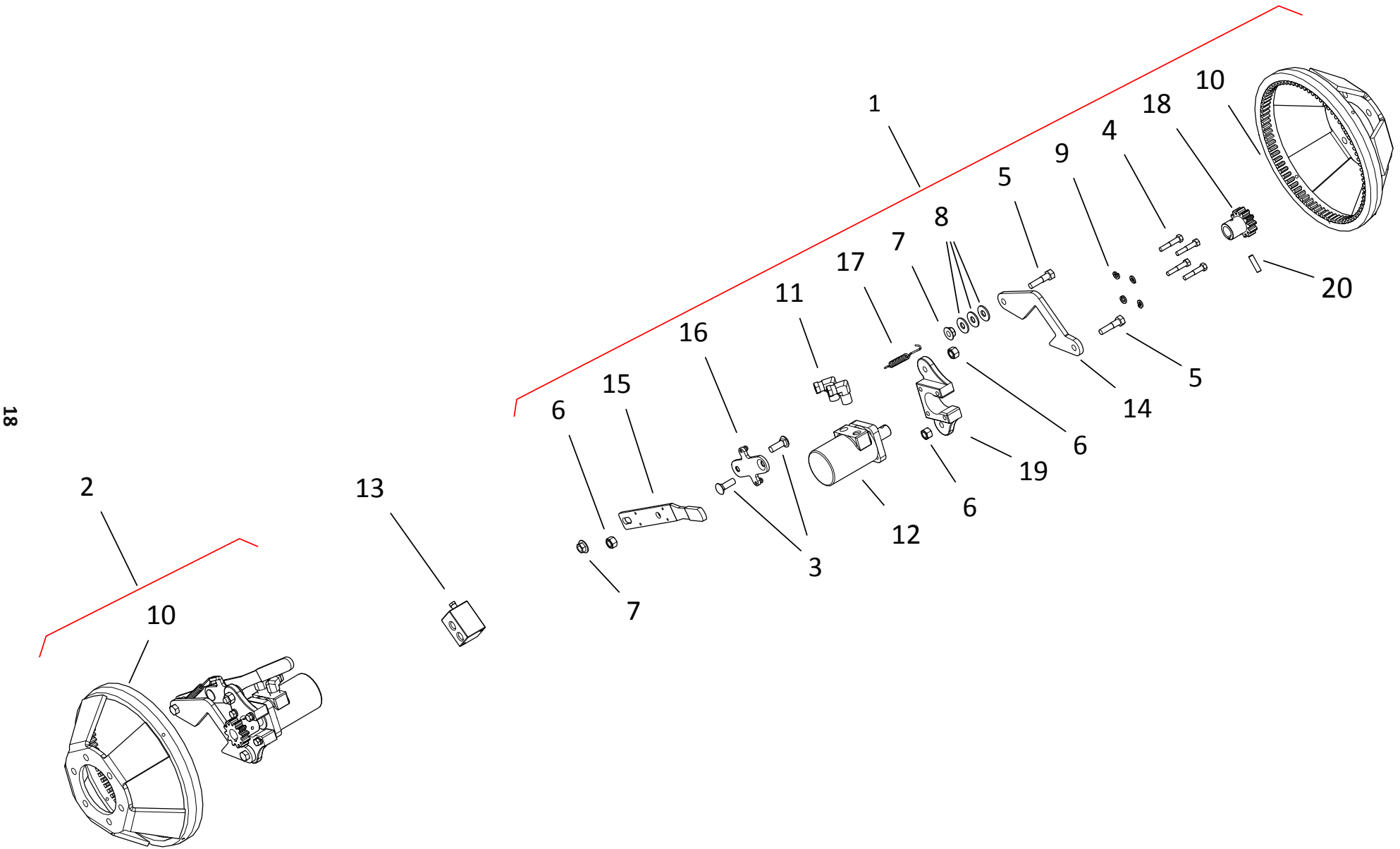
16



WHEEL MOVE (1512100X)

| ITEM | PART NO. | DESCRIPTION |
|------|------------|-------------------------------------|
| 47 | P0832074 | HOSE 3/8(63")-3/8FJICX-3/8MPT PC |
| 48 | P0832074 | HOSE 3/8(63")-3/8FJICX-3/8MPT PC |
| 49 | P0832075 | HOSE 3/8(48")-3/8FJICX-3/8MPT |
| 50 | P0832075 | HOSE 3/8(48")-3/8FJICX-3/8MPT |
| 51 | P0832076 | HOSE 3/8(36")-3/8FJICX-3/8MPT PC |
| 52 | P0832077 | HOSE 3/8(30")-3/8FJICX-3/8MPT PC |
| 53 | P0861042 | VALVE-4 SPL W/JOYSTICK W/2 HANDLES |
| 54 | P0861043 | FLOW RESTRICTOR-3/8"NPT (.031 HOLE) |
| 55 | P1742002 | BEARING-1-1/4" |
| 56 | P11130185P | AXLE END CAP |
| 57 | P11152017P | STEERING LINK |
| 58 | P020200308 | HYDRAULIC CYLINDER |
| 59 | P022300068 | SLIDER WEAR PLATE |

WHEEL MOVE DRIVE SYSTEM (13000144)

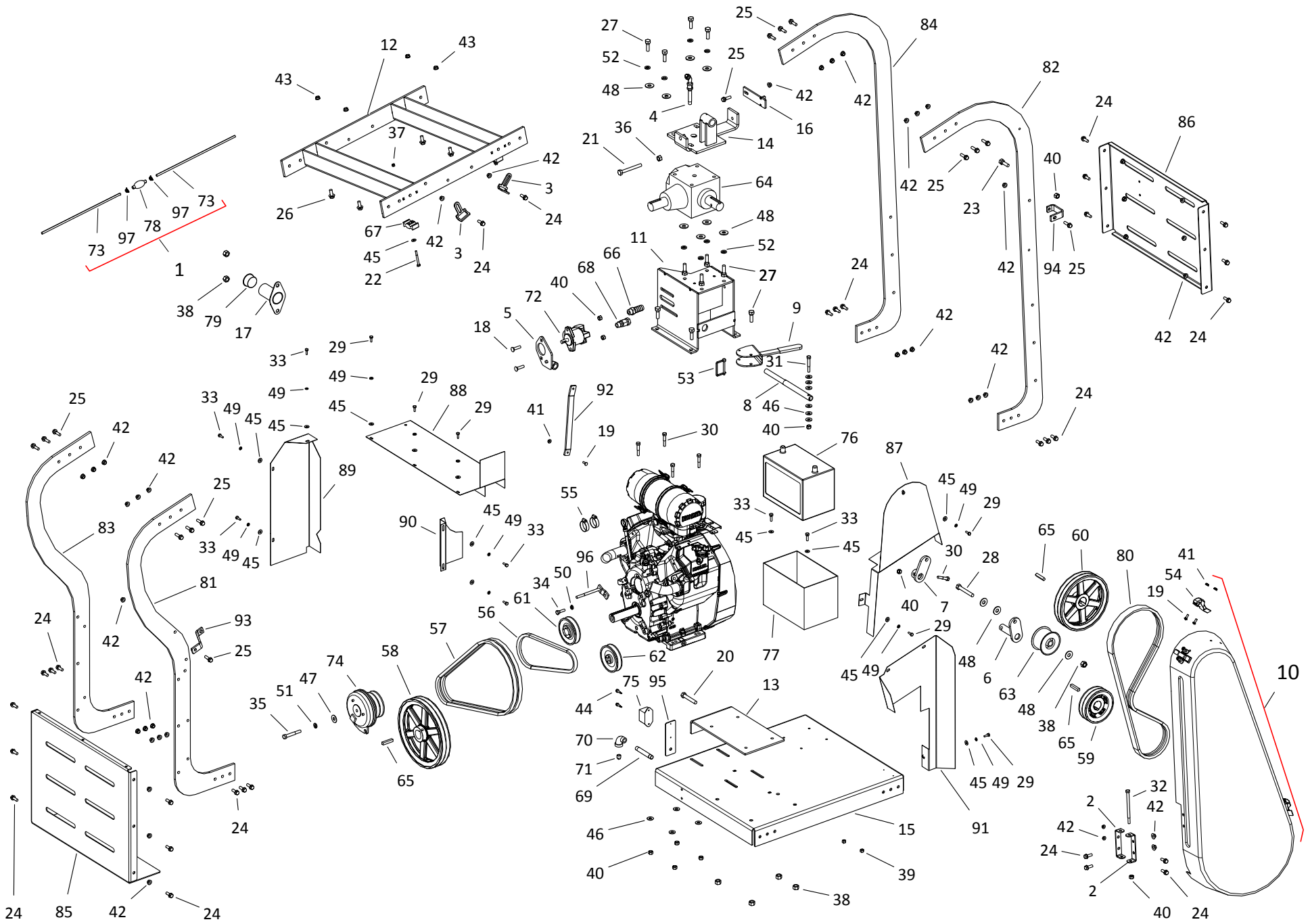


WHEEL MOVE DRIVE SYSTEM (13000144)

| ITEM | PART NO. | DESCRIPTION |
|------|-------------|------------------------------------|
| 1 | 13000120 | WM DRIVE PINION GEAR ASSY - RIGHT |
| 2 | 13000121 | WM DRIVE PINION GEAR ASSY - LEFT |
| 3 | P0113004 | CARRIAGE BOLT 1/2"X1-1/2"PLATED |
| 4 | P0118050 | BOLT 3/8" X 2" GR8 PLATED |
| 5 | P0118016 | BOLT 1/2" X 2" GR8 PLATED |
| 6 | P0134008 | LOCKNUT-NYLON-1/2" |
| 7 | P0134108 | LOCKNUT-TENSILOCK-1/2" |
| 8 | P0151029 | FLAT WASHER 1/2"PLATED USS |
| 9 | P0152006 | LOCK WASHER 3/8"PLATED |
| 10 | P0615315 | RING GEAR - 4 BOLT C/W MOUNT PLATE |
| 11 | P0820013 | SWIVEL-1/2MX3/8F90 |
| 12 | P0841012 | HYD MOTOR-6.3 (5.9H) RS-1/2" HOLE |
| 13 | P0861201 | CUSHION BLOCK, COMPLETE |
| 14 | P11130126 | WHEEL-MOVE AXLE TAB 3" |
| 15 | P020200007 | HANDLE WITH GRIP |
| 16 | 15121033 | PAINTED HANDLE LINK ARM |
| 17 | P020200009 | HANDLE SPRING |
| 18 | P020200333 | PINION GEAR-1"ID 3/8"HOLE |
| 19 | P020200338A | MOTOR ARM -EYEGLOSS PIECE, DRILLED |
| 20 | P0167101 | ROLL PIN SLOTTED 3/8" X 1-1/2" |
| 21 | P0163011 | HAIR PIN 5/32X2-15/16 (66326) |
| 22 | P0821127 | SWIVEL-3/8"-STR. |

UNDER MOUNT GAS KIT (15595000)

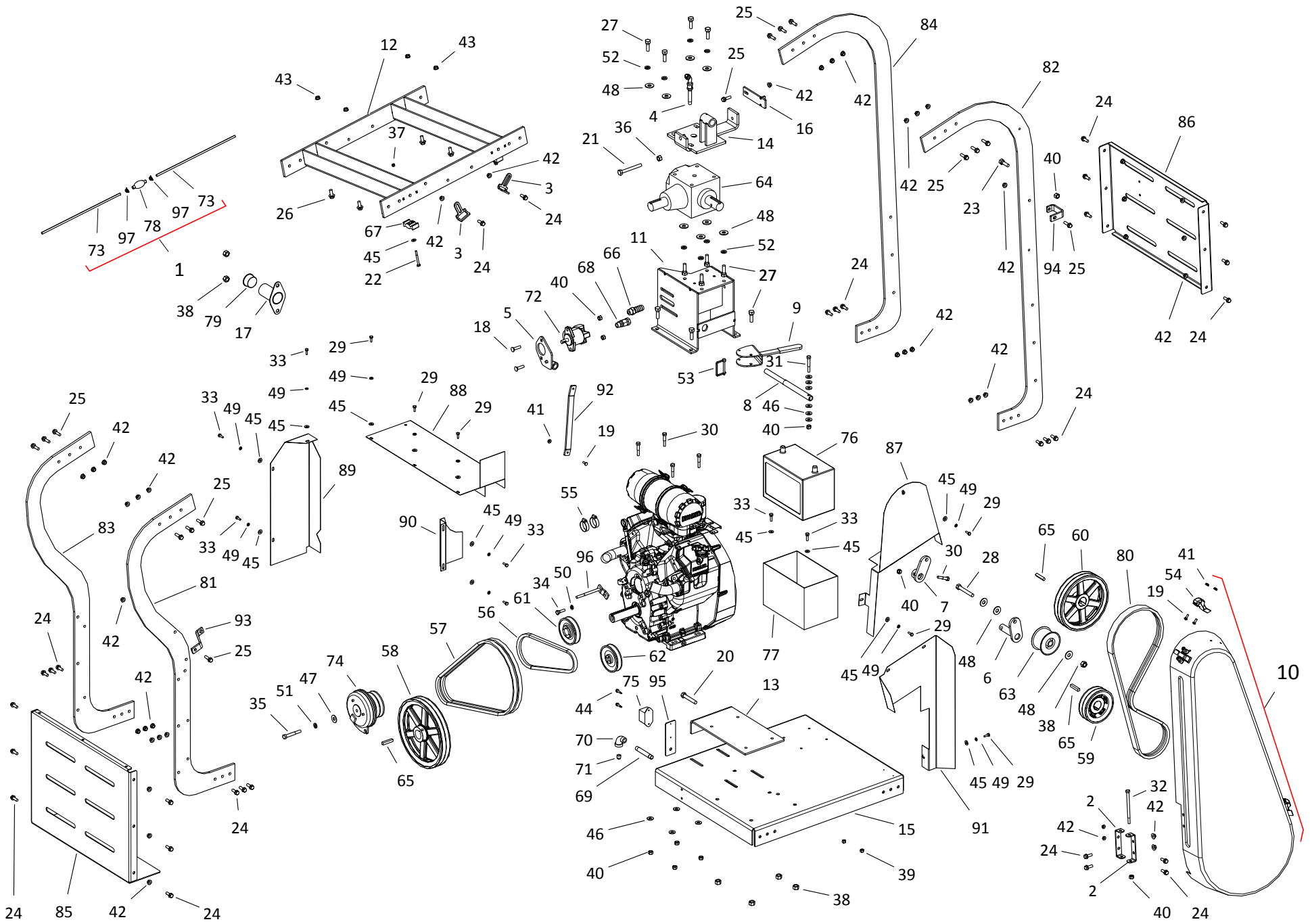
20



UNDER MOUNT GAS KIT (15595000)

| ITEM | PART NO. | DESCRIPTION |
|------|-----------|------------------------------------|
| 1 | 15000898 | PRIMER BULB RETROFIT KIT (24') |
| 2 | 45-113071 | HINGE MOUNT FRT GUARD |
| 3 | 45-113208 | CLASP TAB |
| 4 | 01010002 | BREATHER -SWING AWAY |
| 5 | 13060104 | PUMP MOUNT -PINCH DRIVE |
| 6 | 13060113 | ROCKER ARM PIVOT SHAFT |
| 7 | 13060114 | ROCKER ARM SLEEVE |
| 8 | 13100028 | PIVOT HANDLE SHAFT |
| 9 | 13100035 | PIVOT HANDLE |
| 10 | 15040035 | UNDER MT GUARD ASSEMBLED |
| 11 | 15590101 | GEARBOX MOUNT |
| 12 | 15590102 | CROSS BAR MOUNT |
| 13 | 15590103 | MOTOR TIGHTNER PLATE |
| 14 | 15590104 | BELT TIGHTNER SWIVEL |
| 15 | 15590108 | PLATFORM BASE |
| 16 | 15590109 | SIDE GUARD MOUNT LATCH |
| 17 | 24041038 | SHAFT GUARD(FL-210) |
| 18 | P0113018 | CARRIAGE BOLT 3/8"X1 1/2"PLATED |
| 19 | P0113022 | CARRIAGE BOLT 1/4"X3/4" GR2 PLATED |
| 20 | P0114004 | TAP BOLT 1/2"X3" GR5 PLATED |
| 21 | P0114014 | TAP BOLT 1/2"X4" GR5 PLATED |
| 22 | P0118030 | BOLT 1/4" X 2-1/2" GR8 PLATED |
| 23 | P0115113 | BOLT 3/8" X 1-1/2" GR8 PLATED |
| 24 | P0115205 | FLANGE BOLT 3/8 X 1" PLATED |
| 25 | P0115207 | BOLT FLANGE 3/8 X 1-1/4 GR 5 |
| 26 | P0115214 | BOLT FLANGE 7/16" X 1" PLATED |
| 27 | P0118013 | BOLT 1/2"X1 1/2" GR.8 PLATED |
| 28 | P0118019 | BOLT 1/2" X 3-1/2" GR8 PLATED |
| 29 | P0118033 | BOLT 1/4" X 3/4" GR8 PLATED |
| 30 | P0118050 | BOLT 3/8" X 2" GR8 PLATED |
| 31 | P0118051 | BOLT 3/8" X 2-1/2" GR8 PLATED |
| 32 | P0118110 | BOLT 3/8" X 5-1/2" GR8 PLATED |
| 33 | P0118131 | BOLT 1/4" X 1" GR8 PLATED |
| 34 | P0115113 | BOLT 3/8" X 1-1/2" GR8 PLATED |
| 35 | P0119080 | BOLT 7/16" X 3" GR8 FINE |
| 36 | P0131015 | NUT 1/2" PLATED GRADE 8 |
| 37 | P0134004 | LOCKNUT-NYLON-1/4" |
| 38 | P0134008 | LOCKNUT-NYLON-1/2" |
| 39 | P0134023 | LOCKNUT-NYLON-1/4" GR8 |
| 40 | P0134026 | LOCKNUT-NYLON-3/8" GRADE 8 |
| 41 | P0134104 | LOCKNUT-TENSILOCK-1/4" GR 5 |
| 42 | P0134106 | LOCKNUT-TENSILOCK-3/8" |
| 43 | P0134107 | LOCKNUT-TENSILOCK-7/16" |
| 44 | P0141002 | TEK SCREW 1/4"X1" |
| 45 | P0151006 | FLAT WASHER 1/4"PLATED USS |
| 46 | P0151009 | FLAT WASHER 3/8"PLATED USS |

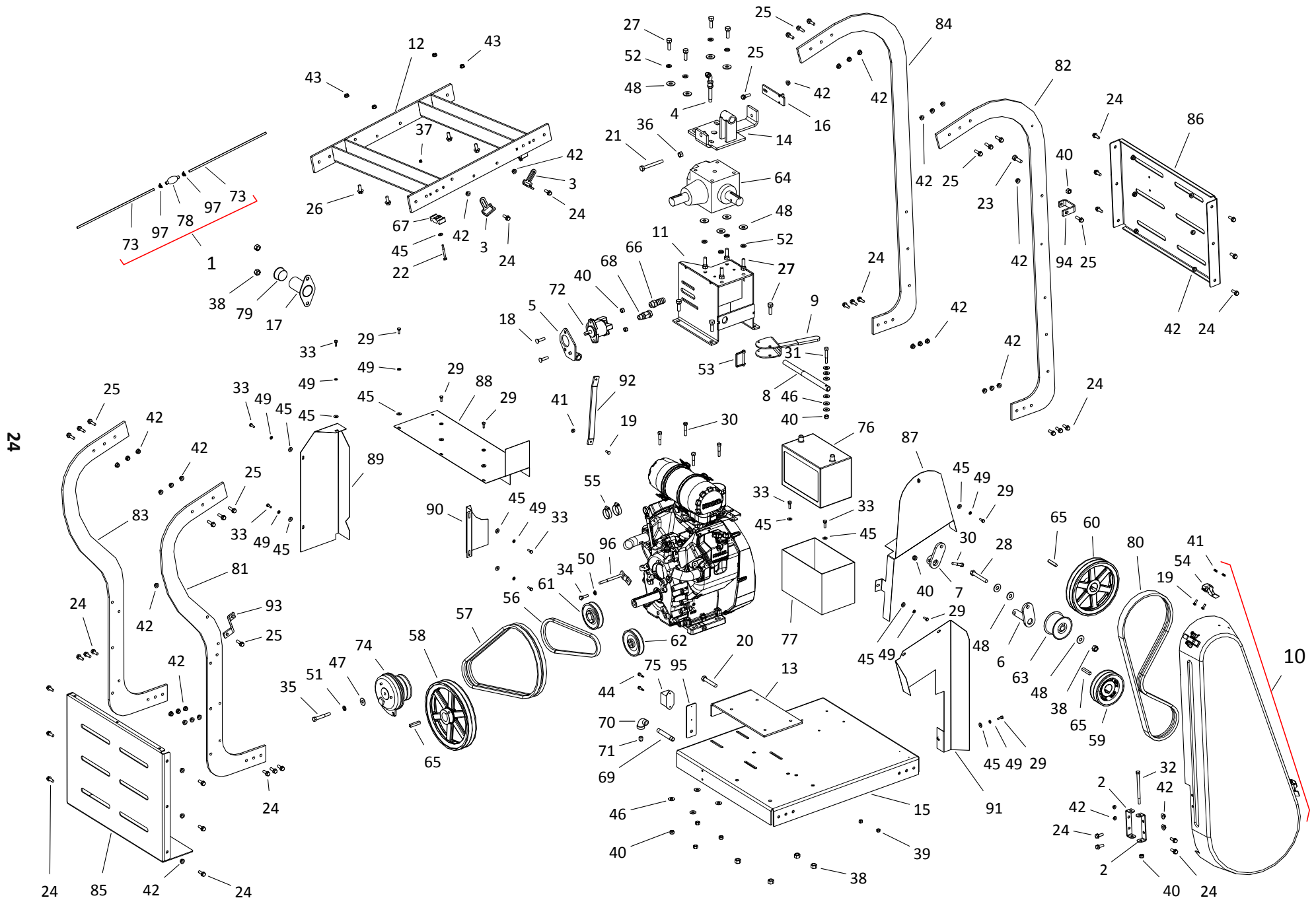
UNDER MOUNT GAS KIT (15595000)



UNDER MOUNT GAS KIT (15595000)

| ITEM | PART NO. | DESCRIPTION |
|------|-----------|------------------------------------|
| 47 | P0151012 | FLAT WASHER 7/16"PLATED USS |
| 48 | P0151029 | FLAT WASHER 1/2"PLATED USS |
| 49 | P0152004 | LOCK WASHER 1/4"PLATED |
| 50 | P0152006 | LOCK WASHER 3/8"PLATED |
| 51 | P0152007 | LOCK WASHER 7/16"PLATED |
| 52 | P0152008 | LOCK WASHER 1/2"PLATED |
| 53 | P0163010 | QUICK PIN 1/4X2-1/2 |
| 54 | P0184041 | TENSION CLAMP, LATCH |
| 55 | P0184042 | MUFFLER CLAMP |
| 56 | P0321030 | BELT B30 |
| 57 | P0321056 | BELT B56 |
| 58 | P0328024 | PULLEY-DBL-12" W/1-1/2"BORE |
| 59 | P0328025 | PULLEY-DBL-6" W/1-1/2"BORE |
| 60 | P0328062 | PULLEY-DBL-10" W/1-1/2"BORE |
| 61 | P0328905 | PULLEY-4-1/2"X1-1/8" |
| 62 | P0328906 | PULLEY-4-1/2"X1/2" |
| 63 | P0328910 | IDLER-FLAT-4"TRPL 2-7/16"WIDE |
| 64 | 15591001 | GBOX 90 2:1 CW/CW 1-1/2 4190 W/OIL |
| 65 | P0391002 | KEY 3/8" X 2" LONG |
| 66 | P0820702 | HOSE BARB-10MORBX3/4"HOSE |
| 67 | P0820804 | HOSE CLAMP -3/8" PLASTIC HYD |
| 68 | P0821130 | SWIVEL-8 ORBX1/2"FPS |
| 69 | P0821158 | NIPPLE-1/2"X4-1/2" PT |
| 70 | P0821159 | ELBOW-1/2" FPT 90D |
| 71 | P0821160 | PLUG 1/2" |
| 72 | P0841033 | PUMP-SMALL |
| 72 | P0841033S | PUMP-0.375 CW/END PORTS SEAL |
| 73 | P0831008 | FUEL LINE-1/4"ID |
| 74 | P0911003 | ELEC CLUTCH,1-1/8" ENG SHFT, 175 |
| 75 | P0911004 | SOFT STARTER |
| 76 | P0951013 | BATTERY 420CCA |
| 77 | P0951040 | BATTERY BOX |
| 78 | P0841045 | PRIMER BULB - 1/4" BARBS |
| 79 | P1210033 | 501 SHAFT GUARD PLUG |
| 80 | P03210651 | BELT 2B65 BANDED |
| 81 | P11150533 | MOTOR MOUNT ARM SHORT RH |
| 82 | P11150534 | MOTOR MOUNT ARM LONG RH |
| 83 | P11150537 | MOTOR MOUNT ARM SHORT LH |
| 84 | P11150538 | MOTOR MOUNT ARM LONG LH |
| 85 | P11150540 | HANGING MOTOR GUARD |
| 86 | P11150545 | HANGING MOTOR BACK GUARD |
| 87 | P11150548 | UPPER S-DRIVE GUARD PAINTED |
| 88 | P11150549 | MOTOR DRIVE TOP GUARD |
| 89 | P11150550 | MOTOR DRIVE SIDE GUARD |
| 90 | P11150551 | LOWER LEFT S-DRIVE GUARD |
| 91 | P11150552 | LOWER S-DRIVE GUARD |

UNDER MOUNT GAS KIT (15595000)

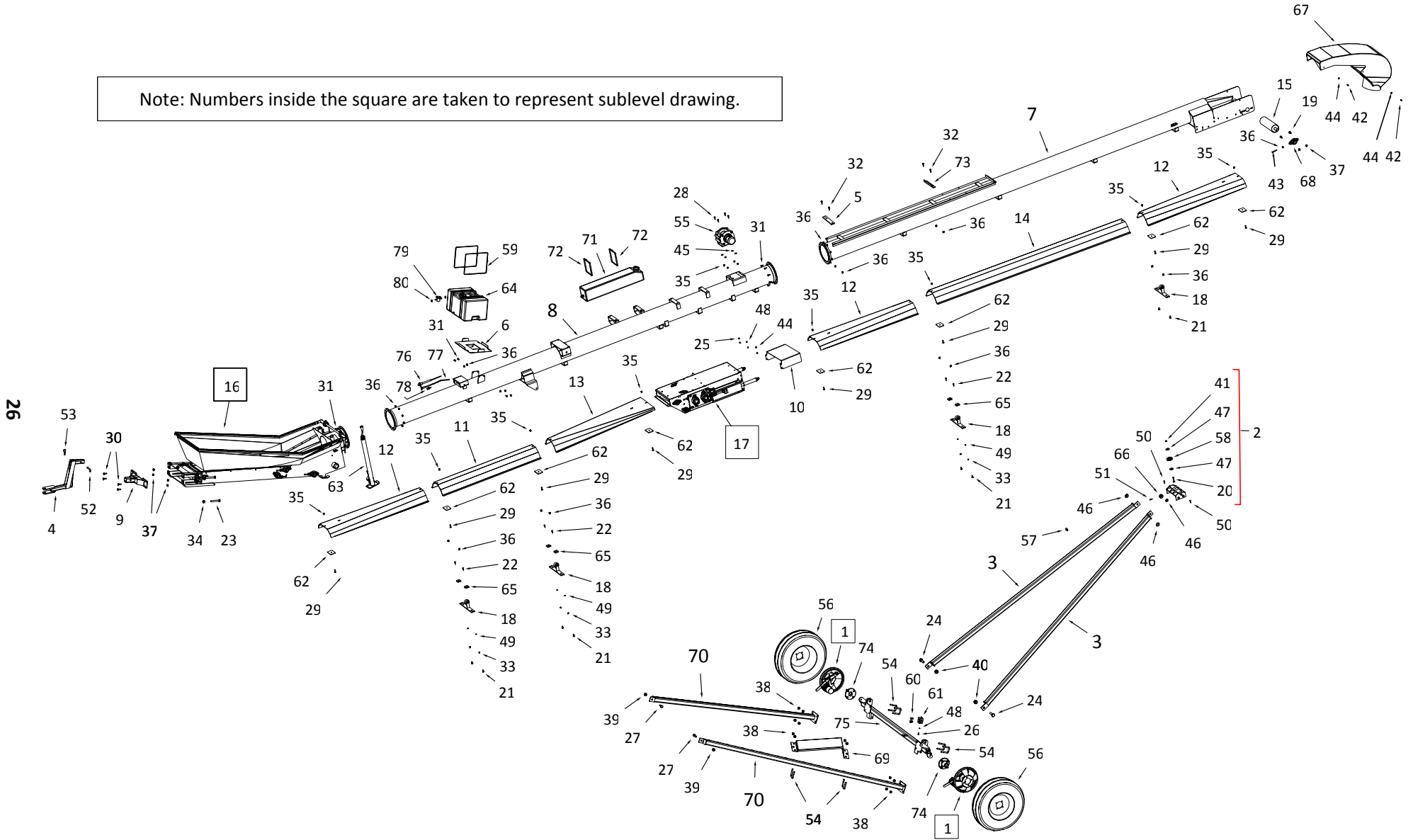


UNDER MOUNT GAS KIT (15595000)

| ITEM | PART NO. | DESCRIPTION |
|------|------------|---------------------------------|
| 92 | P11150559 | MUFFLER SUPPORT BRACKET |
| 93 | P11150561 | FRONT FRAME STABLER PAINT |
| 94 | P11150562 | BACK FRAME STABLER PAINT |
| 95 | P11150563P | UM SOFT START CONTROL BOX MOUNT |
| 96 | P020601009 | CLUTCH STOP BRACKET |
| 97 | P0184033 | WIRE HOSE CLAMP .500" |

FX 1545 FL FMD WITH TOP MOUNT GAS KIT (15504535)

Note: Numbers inside the square are taken to represent sublevel drawing.

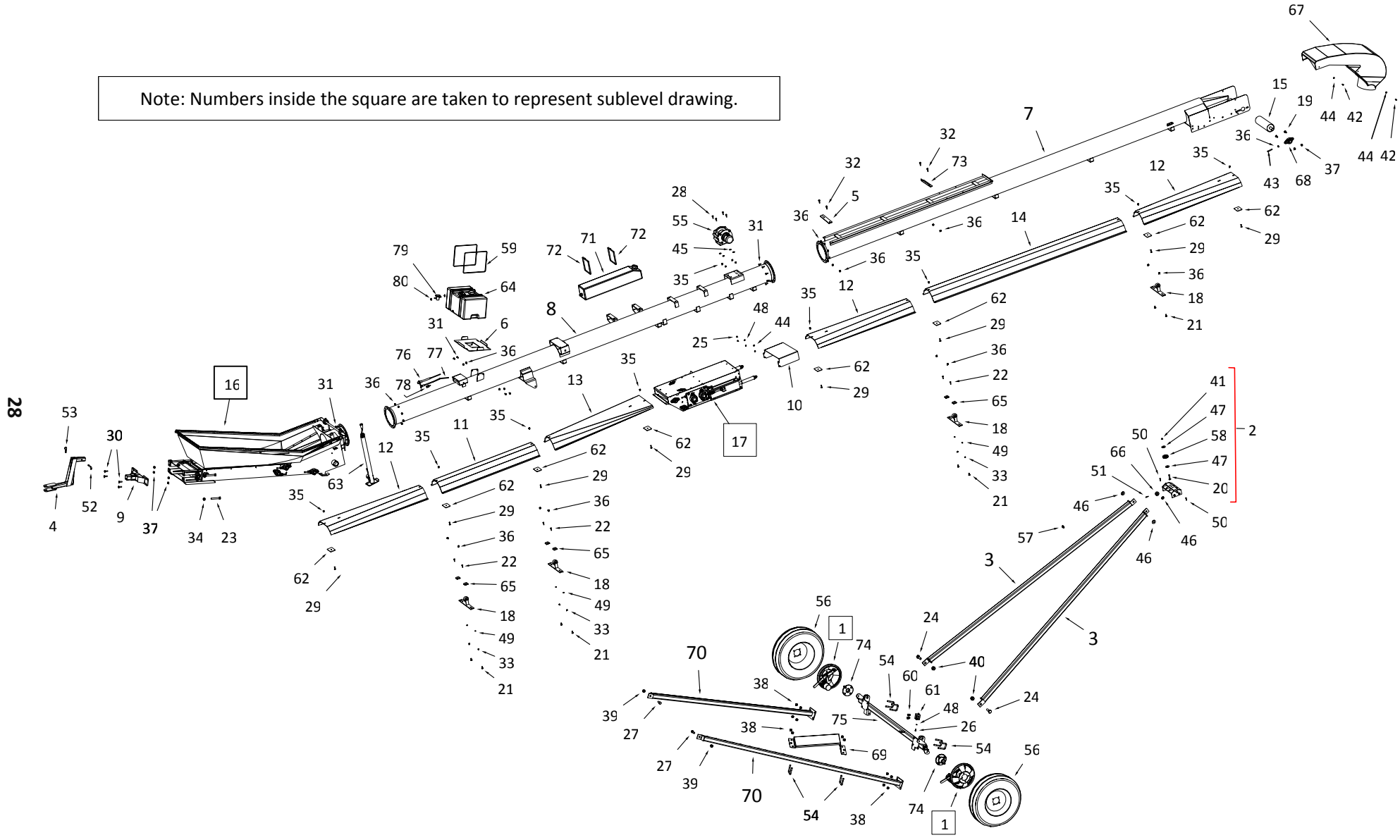


FX 1545 FL FMD WITH TOP MOUNT GAS KIT (15504535)

| ITEM | PART NO. | DESCRIPTION |
|------|-----------|-------------------------------------|
| 1 | 13000144 | MOVER -WHEEL MOVE DRIVE SYS. 3"AXLE |
| 2 | 13030042 | 13/15 TRACK SLIDER |
| 3 | 13030048 | UPRIGHT ARM 45FL |
| 4 | 13030096 | FL Z-DROP TONGUE |
| 5 | 13032094 | 35/45 SMALL CABLE ATTACH |
| 6 | 15011016 | GAS TANK MOUNT BRACKET PAINTED |
| 7 | 15020030 | SPOUT SECTION 20' WELD ON TRACK |
| 8 | 15020033 | 1545FL CENTER - WELD ON EPA |
| 9 | 15030007 | HITCH FL (ONE PC) |
| 10 | 15040040 | PINCH DRIVE FRONT GUARD |
| 11 | 15042101 | WEATHER GUARD 5' - 61-1/2" |
| 12 | 15042102 | WEATHER GUARD 5' FLR - 61-1/2" |
| 13 | 15042103 | WEATHER GUARD 5' FLAT - 61-1/2" |
| 14 | 15042121 | WEATHER GUARD 10' - 121-1/2" |
| 15 | 15070031 | 1545FMD SPOUT ROLLER LAGGED |
| 16 | 15555545 | FX-15 HOPPER RLLER KIT -FL |
| 17 | 15590020 | S-DRIVE ASM W/PINCH |
| 18 | 150100911 | WEATHER GUARD MOUNT BAR KIT-POLY |
| 19 | P0113004 | CARRIAGE BOLT 1/2"X1-1/2"PLATED |
| 20 | P0113009 | BOLT CARRIAGE 1/2"X2-3/4" GR5 |
| 21 | P0113013 | CARRIAGE BOLT 7/16"X1" PLATED |
| 22 | P0113020 | CARRIAGE BOLT 5/16"X1-1/2"PLATED |
| 23 | P0114006 | TAP BOLT 3/4 X 5 PLATED |
| 24 | P0115004 | BOLT 1" X 3" GRADE 5 PLATED |
| 25 | P0118033 | BOLT 1/4" X 3/4" GR8 PLATED |
| 26 | P0118033 | BOLT 1/4" X 3/4" GR8 PLATED |
| 27 | P0115036 | BOLT 3/4" X 2" GRADE 5 PLATED |
| 28 | P0115047 | BOLT 3/8"X1-1/2" GRADE 5 PLATED |
| 29 | P0115303 | CAPSCREW 3/8X1-1/4FLT HD SOCKET PTD |
| 30 | P0118013 | BOLT 1/2"X1 1/2" GR.8 PLATED |
| 31 | P0118076 | BOLT 7/16"X1" GRADE 8 PLATED |
| 32 | P0118077 | BOLT 7/16"X1-1/2" GRADE 8 PLATED |
| 33 | P0131017 | NUT 5/16" PLATED GRADE 8 |
| 34 | P0131112 | NUT 3/4"PLATED |
| 35 | P0134026 | LOCKNUT-NYLON-3/8" GRADE 8 |
| 36 | P0134007 | LOCKNUT-NYLON-7/16" |
| 37 | P0134008 | LOCKNUT-NYLON-1/2" |
| 38 | P0134010 | LOCKNUT-NYLON-5/8" |
| 39 | P0134012 | LOCKNUT-NYLON-3/4" |
| 40 | P0134016 | LOCKNUT-NYLON-1" |
| 41 | P0134108 | LOCKNUT-TENSILOCK-1/2" |
| 42 | P0141002 | TEK SCREW 1/4"X1" |
| 43 | P0145002 | SET SCREW-7/16"X2-1/2"SQ.HD. |
| 44 | P0151006 | FLAT WASHER 1/4"PLATED USS |
| 45 | P0151009 | FLAT WASHER 3/8"PLATED USS |
| 46 | P0151026 | FLAT WASHER 3/4"SAE |

FX 1545 FL FMD WITH TOP MOUNT GAS KIT (15504535)

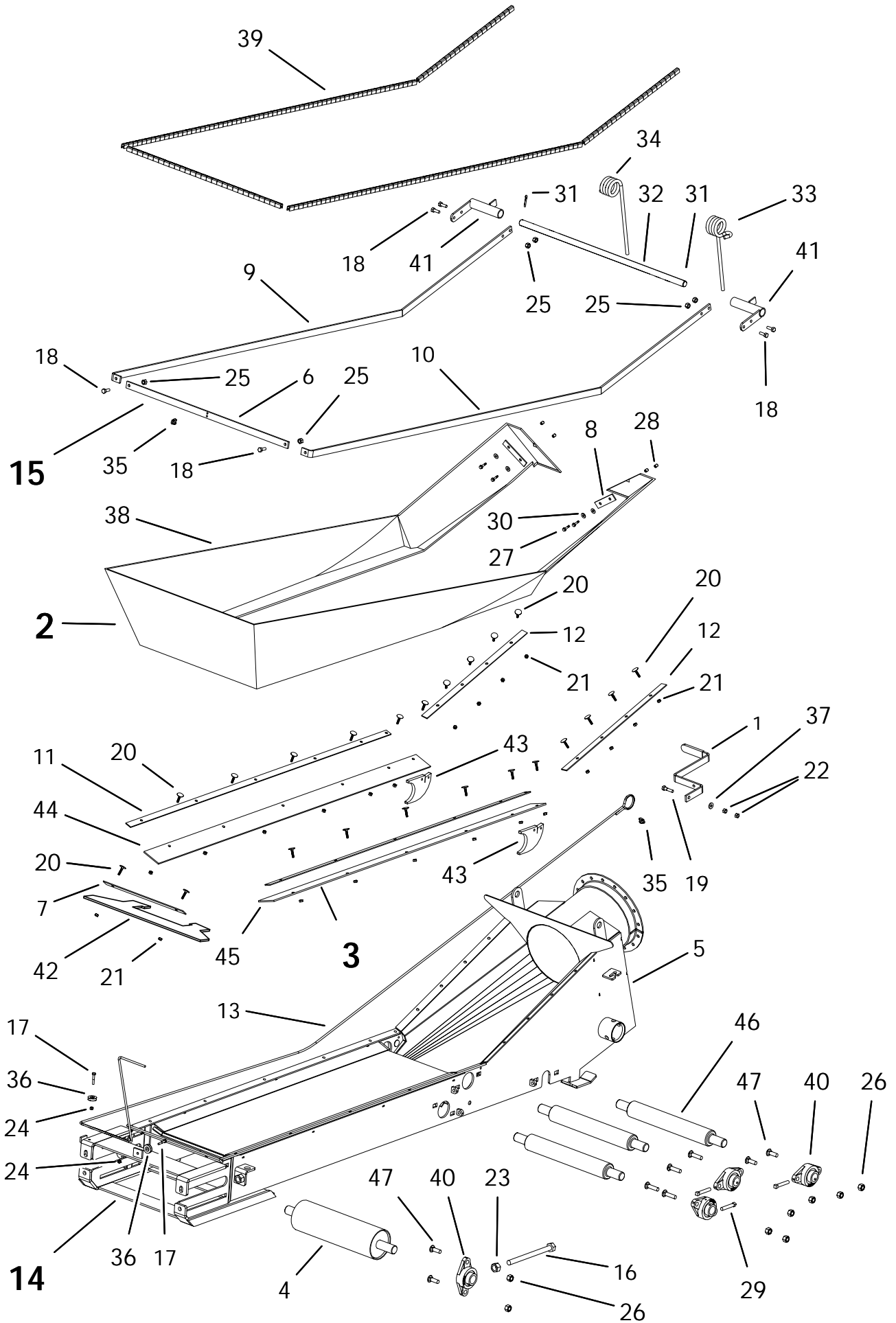
Note: Numbers inside the square are taken to represent sublevel drawing.



FX 1545 FL FMD WITH TOP MOUNT GAS KIT (15504535)

| ITEM | PART NO. | DESCRIPTION |
|------|--------------|---|
| 47 | P0151029 | FLAT WASHER 1/2"PLATED USS |
| 48 | P0152004 | LOCK WASHER 1/4"PLATED |
| 49 | P0152010 | LOCK WASHER 5/16"PLATED |
| 50 | P0161001 | Cotter Pin 1/4 x 2 |
| 51 | P0161002 | COTTER PIN 5/32X1-1/2"PLATED |
| 52 | P0162001 | HITCH PIN 1/2" X 3" PLATED |
| 53 | P0163001 | HAIR PIN 3/16" X 3-1/4" |
| 54 | P0183003 | U-BOLT 2-1/2" X 2-1/2" (5/8) PLATED |
| 55 | P0217634B | HYDRAULIC WINCH KIT |
| 56 | P0614301 | TIRE ASSEMBLY-15"X4.5"X4BOLT |
| 57 | P0712105 | CABLE CLAMP-5/16" GALV. |
| 58 | P0713105 | CABLE SHEAVE-3" |
| 59 | P0820807 | CLAMP 2 X 50" |
| 60 | P0821127 | SWIVEL-3/8"-STR. |
| 61 | P0861201 | CUSHION BLOCK, COMPLETE |
| 62 | P1010001 | UNI-MOUNT PLATE CAST |
| 63 | P1012009 | JACK-7000LB SQ.TUBE 25" EXT |
| 64 | P1210026 | EPA GAS TANK - 45L(12 GAL) |
| 65 | P1210030 | BELT GUIDE BLOCK |
| 66 | P1211305 | ROLLER 2" NYLON |
| 67 | P1211501 | HOOD-ROUND 15 SERIES (KANBAN) |
| 68 | P1711001 | FLANGE UNIT-1-1/2"-SAFL208-24 |
| 69 | P2513003P | INSPECTION STEP BI-MOUNT PAINTED |
| 70 | P2513007 | AXLE ARM 30/35TD/45-2-1/2" |
| 71 | P029900052-3 | TANK, 22L, BLK W/FTG, CAP HOSE |
| 72 | P029900216 | GEAR CLAMP 32" |
| 73 | 13032125 | BOLT ON ANGLE |
| 74 | P0614102 | HUB-HA411 C/W BRGS-4 BOLT |
| 75 | 13030151 | AXLE 30-45-2-1/2" W/WM COMP-FX Only(SN brk) |
| 76 | P0712114 | THROTTLE CONTROL 15' |
| 77 | P0712102 | CHOKE CABLE-15' LOCKING |
| 78 | P1031112 | ENGINE 32HP KOHLER IGNITION SWITCH |
| 79 | P1210039 | EPA FUEL DEMAND VALVE |
| 80 | P0184033 | WIRE HOSE CLAMP .500" |

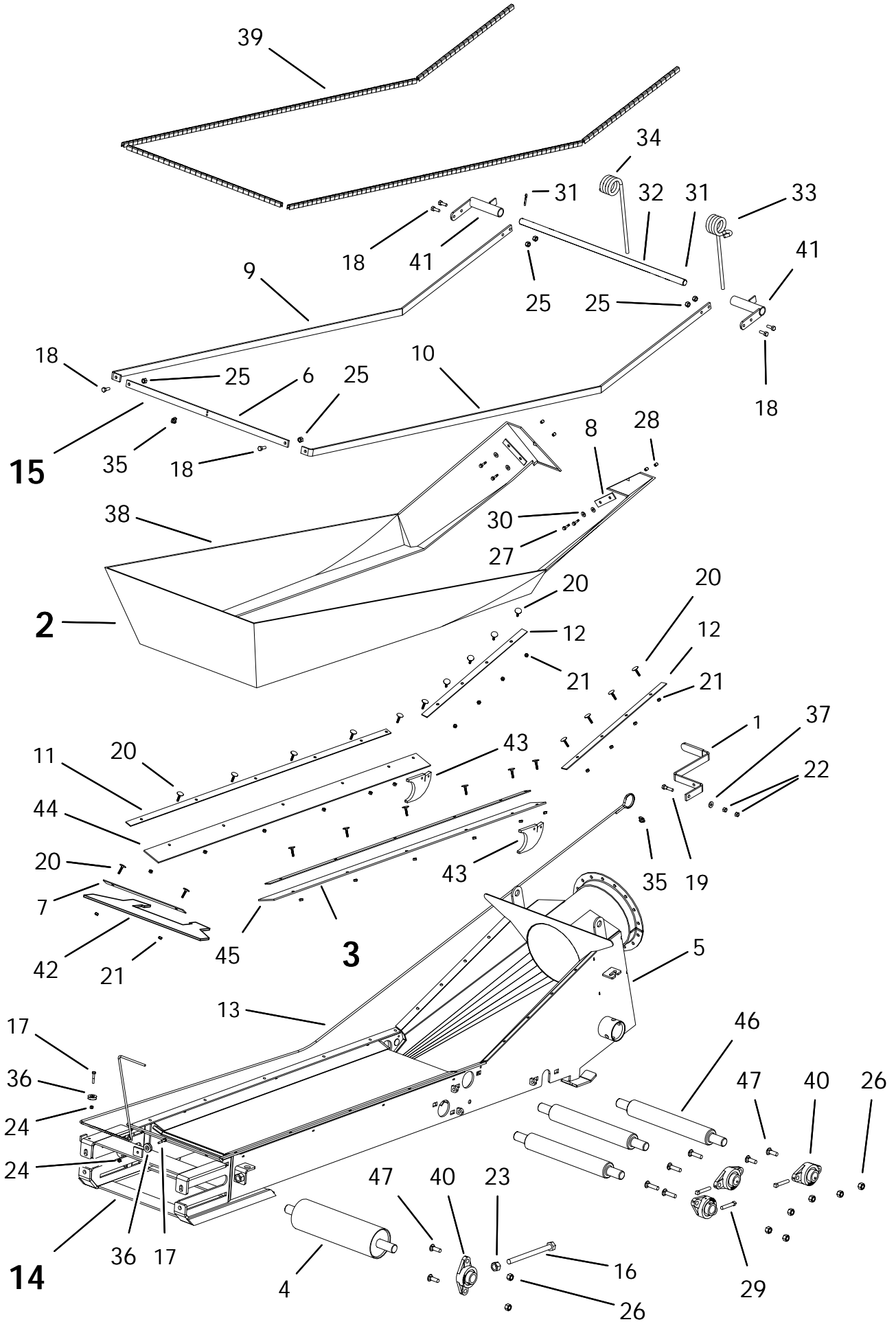
FX HOPPER (15100040)



FX HOPPER (15100040)

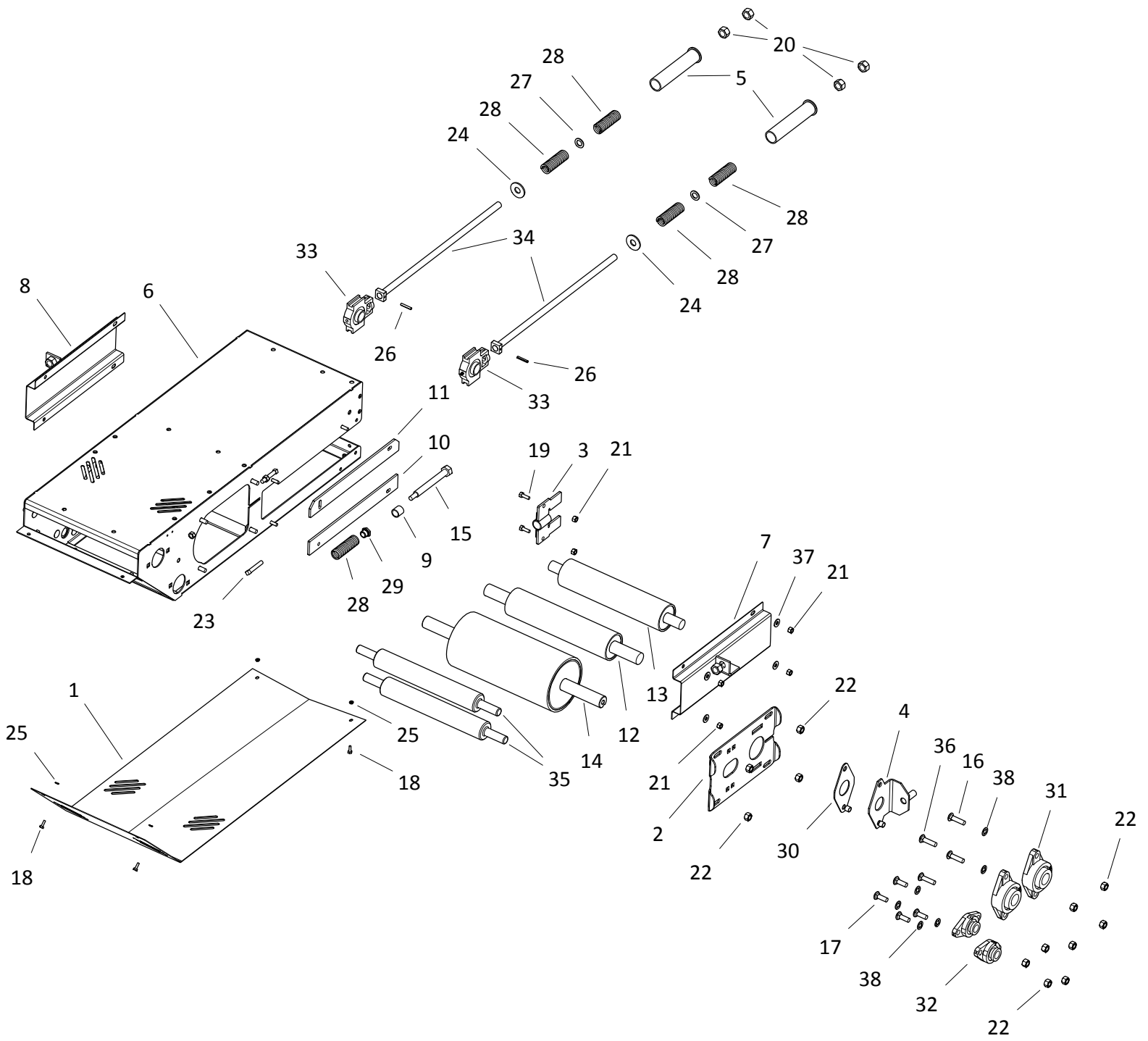
| ITEM | PART NO. | DESCRIPTION |
|------|-----------|------------------------------------|
| 1 | 13100008 | HOPPER HANDLE |
| 2 | 15000291 | FX HOPPER -COLLAPSABLE FL |
| 3 | 15000292 | FX-HOPPER -FLASHING ONLY FL |
| 4 | 15070012 | TAKE-UP ROLLER-1-1/4" LAGGED |
| 5 | 15100040 | FX-15FL HOPPER |
| 6 | 15102018 | UPPER CLOTH FRAME TR FRONT |
| 7 | 15102058 | LOWER CLOTH FRAME TR FRONT |
| 8 | 15102061 | LOWER CLOTH FRAME TR BACK |
| 9 | 15102184 | 15FL UPPER CLOTH FRAME RIGHT FX |
| 10 | 15102185 | 15FL UPPER CLOTH FRAME LEFT FX |
| 11 | 15102189 | 15FL LOWER CLOTH FRAME SIDE |
| 12 | 15102190 | 15FL LOWER CLOTH FRAME TRANS |
| 13 | 15103229 | CABLE 1/8" 7X19 GAC (18') |
| 14 | 15555545 | FX-15 HOPPER RLLER KIT -FL |
| 15 | 15100121 | HOPPER CLOTH FRAME-UPPER KIT FX |
| 16 | P0114010 | TAP BOLT 3/4 X 9 UNC GR.5 PLATED |
| 17 | P0115026 | BOLT 1/4" X 1-1/2" GR5 PLATED |
| 18 | P0115046 | BOLT 3/8"X1" GRADE 5 PLATED |
| 19 | P0115047 | BOLT 3/8"X1-1/2" GRADE 5 PLATED |
| 20 | P0116001 | ELEVATOR BOLT 1/4"X1-1/4" |
| 21 | P0131016 | NUT 1/4" PLATED GRADE 8 |
| 22 | P0131006 | NUT 3/8" PLATED |
| 23 | P0131112 | NUT 3/4"PLATED |
| 24 | P0134004 | LOCKNUT-NYLON-1/4" |
| 25 | P0134026 | LOCKNUT-NYLON-3/8" GRADE 8 |
| 26 | P0134008 | LOCKNUT-NYLON-1/2" |
| 27 | P0141002 | TEK SCREW 1/4"X1" |
| 28 | P0145001 | VINYL SCREW CAP |
| 29 | P0145004 | SET SCREW-7/16"X1-1/2"SQ.HD.PLATED |
| 30 | P0151006 | FLAT WASHER 1/4"PLATED USS |
| 31 | P0161003 | COTTER PIN 3/16"X1-1/2"PLATED |
| 32 | P0162007 | HOPPER PIVOT SHAFT-13/15 |
| 33 | P0521005 | HOPPER SPRING-L-.437 |
| 34 | P0521006 | HOPPER SPRING-R-.437 |
| 35 | P0712104 | CABLE CLAMP-1/8" GALV. |
| 36 | P0713104 | CABLE SHEAVE-1-1/4" W/BEARING |
| 37 | P1210010 | Washer Nylon 3/8 USS |
| 38 | P1621024 | HOPPER CANVAS FX15FL |
| 39 | P1641015 | TRIM LOCK |
| 40 | P1711002 | FLANGE UNIT-1-1/4"-SAFL206-20 |
| 41 | P2515017 | PIVOT SHAFT BRACKET |
| 42 | P19159012 | FRONT HOPPER FLASHING |
| 43 | P19159020 | FX-HOPPER SIDE FLASHING |
| 44 | P19159021 | FX-15FL HOPPER FLASHING LH |
| 45 | P19159022 | FX-15FL HOPPER FLASHING RH |
| 46 | P20315003 | FX-15FL TRANSITION ROLLER |

FX HOPPER (15100040)



FX HOPPER (15100040)

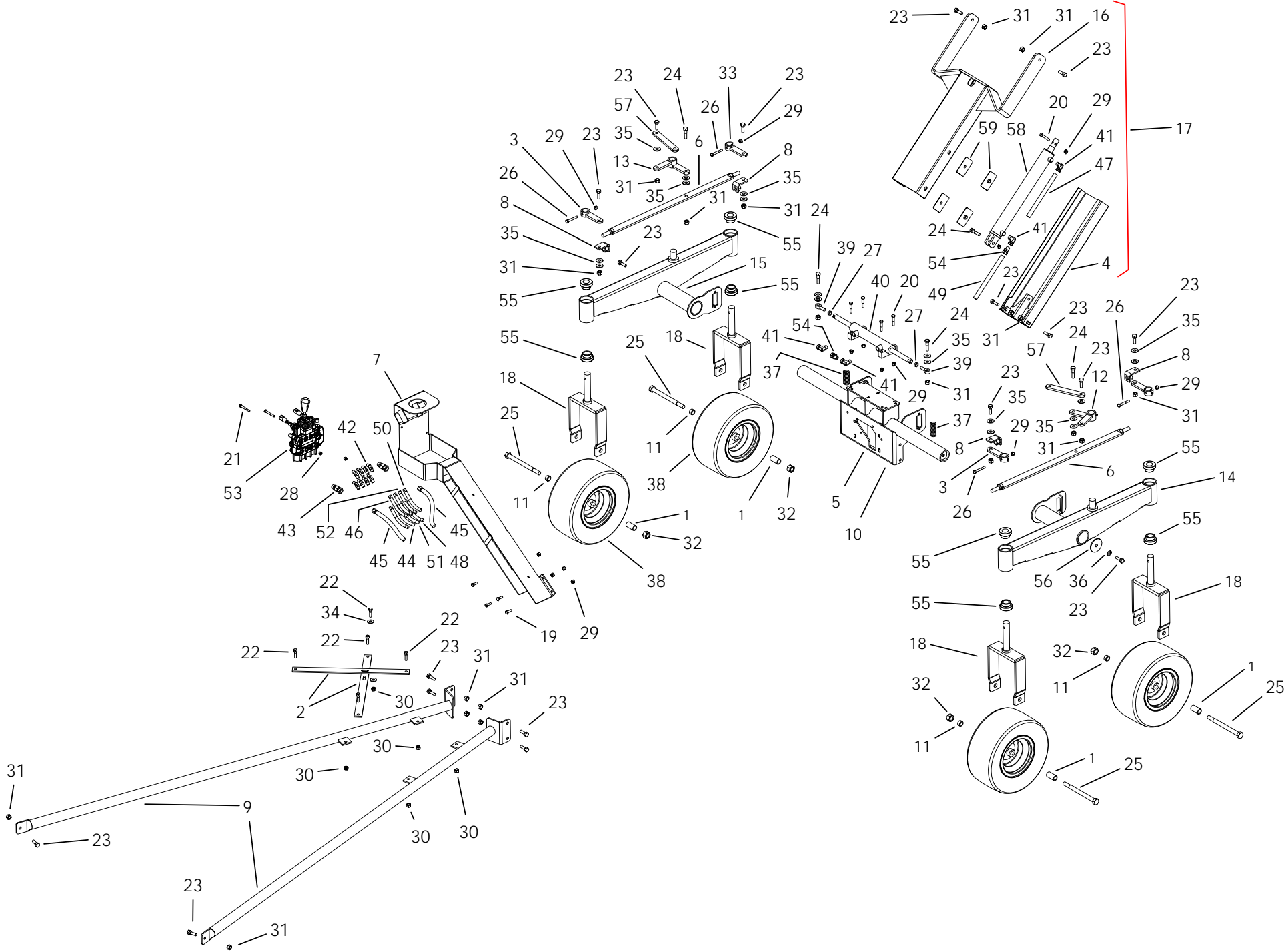
| ITEM | PART NO. | DESCRIPTION |
|------|----------|---------------------------------|
| 47 | P0113004 | CARRIAGE BOLT 1/2"X1-1/2"PLATED |



S-DRIVE (15590020)

| ITEM | PART NO. | DESCRIPTION |
|------|-----------|-------------------------------------|
| 1 | 15040001 | PINCH SD BOTTOM GUARD |
| 2 | 15060061 | SD COVER PLATE 6-1/2"ROLLER |
| 3 | 15060027 | S-DRIVE TENSION INDICATOR |
| 4 | 15060082 | PINCH TIGHTENER PLATE |
| 5 | 15060504 | PRETENSIONER 1550 |
| 6 | 15061045 | S-DRIVE PINCH |
| 7 | 15061046 | SIDE GUARD LH |
| 8 | 15061047 | SIDE GUARD RH |
| 9 | 15062010 | PINCH PIPE |
| 10 | 15062179 | S-DRIVE SLIDER BOLT PLATE - BOTTOM |
| 11 | 15062180 | S-DRIVE SLIDER BOLT PLATE - TOP |
| 12 | 15070019 | 3-1/2"TAKE-UP (PINCH) |
| 13 | 15070020 | 3-1/2"TAKE-UP 19.5"SHAFT |
| 14 | 15070030 | DRIVE ROLLER-6-1/2" W/EXT SHAFT |
| 15 | P0113000 | SPRING TENSION BOLT |
| 16 | P0113001 | CARRIAGE BOLT 1/2"X2" PLATED |
| 17 | P0113004 | CARRIAGE BOLT 1/2"X1-1/2"PLATED |
| 18 | P0118033 | BOLT 1/4" X 3/4" GR8 PLATED |
| 19 | P0118046 | BOLT 3/8" X 1" GR8 PLATED |
| 20 | P0131019 | NUT 3/4" PLATED GRADE 8 |
| 21 | P0134026 | LOCKNUT-NYLON-3/8" GRADE 8 |
| 22 | P0134008 | LOCKNUT-NYLON-1/2" |
| 23 | P0145004 | SET SCREW-7/16"X1-1/2"SQ.HD.PLATED |
| 24 | P0151015 | FLAT WASHER 3/4"PLATED USS |
| 25 | P0152004 | LOCK WASHER 1/4"PLATED |
| 26 | P0167001 | SPRING PIN 1/4" X 1-1/2" |
| 27 | P0351015 | MACHINERY BUSH 3/4"X1-1/4"-14G PTD. |
| 28 | P0511008 | SPRING-LD-1300 SERIES |
| 29 | P0820129 | BUSHING BRASS FLANGED |
| 30 | P1210102 | BELT TIGHTENER SLIDER PLATE FL208 |
| 31 | P1711001 | FLANGE UNIT-1-1/2"-SAFL208-24 |
| 32 | P1711004 | FLANGE UNIT-1"-SAFL205-16 |
| 33 | P1721001 | TAKE-UP UNIT-1-1/4"-T206-20 |
| 34 | P2515006 | 15 S-DRIVE TIGHTENER BOLT |
| 35 | P20315001 | S-DRIVE RETURN-1" ROLLER |
| 36 | P0113003 | CARRIAGE BOLT 1/2"X2-1/2"PLATED |
| 37 | P0151009 | FLAT WASHER 3/8"PLATED USS |
| 38 | P0151037 | FLAT WASHER 0.531 SQUARE-1.00-0.060 |

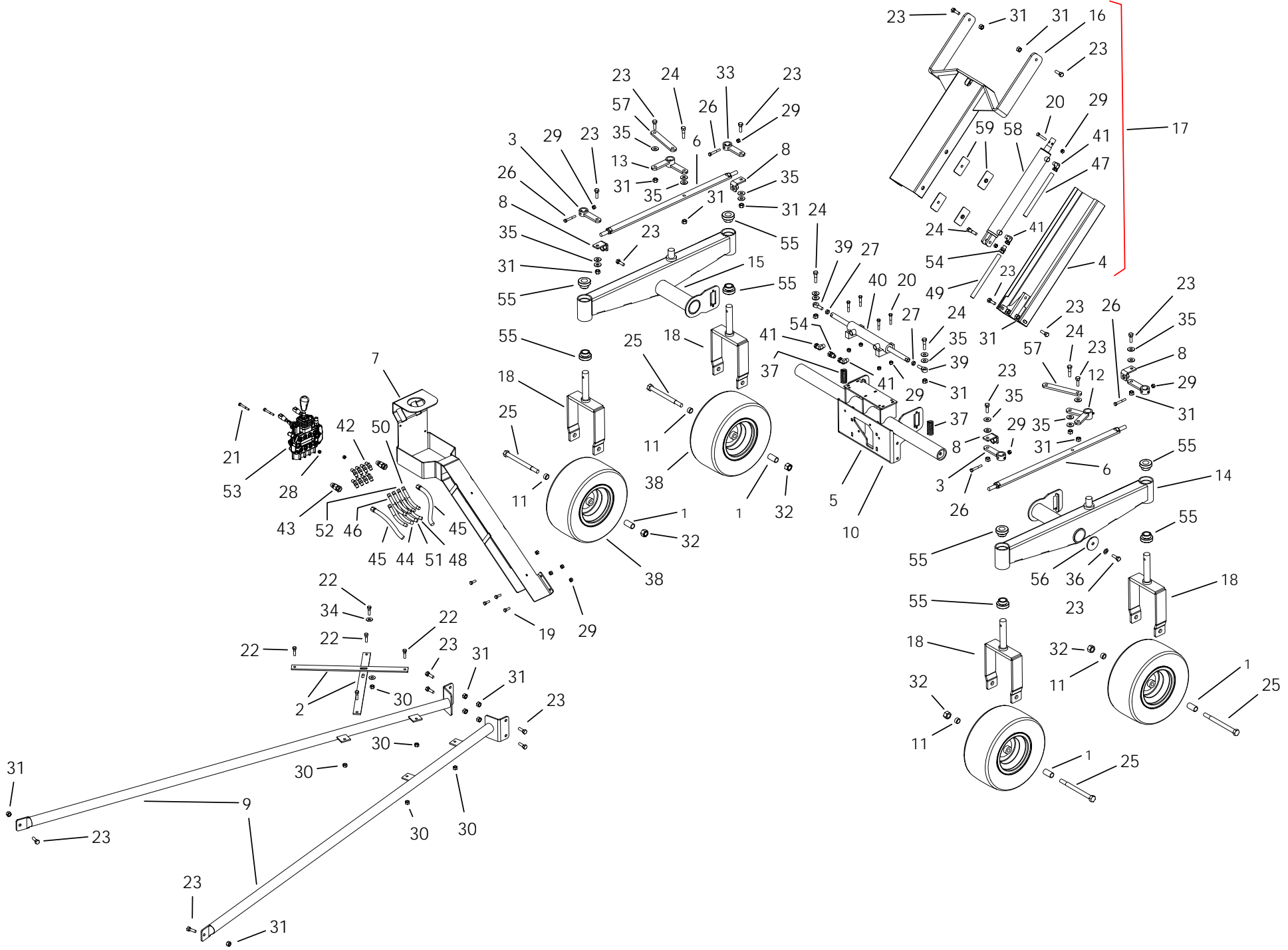
WHEEL MOVE (1512100X)



WHEEL MOVE (1512100X)

| ITEM | PART NO. | DESCRIPTION |
|------|-----------|------------------------------------|
| 1 | 15062110 | TD PINCH PIPE |
| 2 | 15121001 | CROSS BRACE (KAN) |
| 3 | 15121009 | CASTER STEERING LINK |
| 4 | 15121011 | SLIDER LOWER WELDMENT |
| 5 | 15121012 | MOVER KIT AXLE WELDMENT |
| 6 | 15121016 | STEERING LINK WELDMENT |
| 7 | 15121017 | CONTROL ARM |
| 8 | 15121019 | STEERING LINK END WELDMENT |
| 9 | 15121021 | TRANSPORT FRAME PIPE |
| 10 | 15121022 | CHASSIS ASSY |
| 11 | 15121023 | 3/4" X 1/2" SPACER |
| 12 | 15121027 | STEERING PIVOT RH |
| 13 | 15121028 | STEERING PIVOT LH |
| 14 | 15121029 | WALKING BEAM RH |
| 15 | 15121030 | WALKING BEAM LH |
| 16 | 20121010 | SLIDER TOP WELDMENT |
| 17 | 20121020 | SLIDER ARM ASSY |
| 18 | 131200052 | FORK-STRAIGHT 90DEG WIDE |
| 19 | P0115046 | BOLT 3/8"X1" GRADE 5 PLATED |
| 20 | P0115050 | BOLT 3/8" X 2" GR5 PLATED |
| 21 | P0115063 | BOLT 5/16" X 2-1/2" GR5 PLATED |
| 22 | P0115077 | Bolt Hex 7/16 x 1 1/2 |
| 23 | P0118013 | BOLT 1/2"X1 1/2" GR.8 PLATED |
| 24 | P0118016 | BOLT 1/2" X 2" GR8 PLATED |
| 25 | P0118048 | Bolt Hex GR8 3/4 x 9 |
| 26 | P0118051 | BOLT 3/8" X 2-1/2" GR8 PLATED |
| 27 | P0133107 | NUT JAM 1/2" UNF GR5 |
| 28 | P0134005 | LOCKNUT-NYLON-5/16" |
| 29 | P0134026 | LOCKNUT-NYLON-3/8" GRADE 8 |
| 30 | P0134007 | LOCKNUT-NYLON-7/16" |
| 31 | P0134008 | LOCKNUT-NYLON-1/2" |
| 32 | P0134012 | LOCKNUT-NYLON-3/4" |
| 33 | P0145006 | SET SCREW 3/8" X 3/8" UNC |
| 34 | P0151012 | FLAT WASHER 7/16"PLATED USS |
| 35 | P0151029 | FLAT WASHER 1/2"PLATED USS |
| 36 | P0152008 | LOCK WASHER 1/2"PLATED |
| 37 | P0511011 | SPRING-COMP-1.25"X3" (0.625 ID) |
| 38 | P0614307 | TIRE & RIM 16X7.50-8 TM |
| 39 | P0631012 | TIE ROD END BALL JOINT 1/2" M UNF |
| 40 | P0811001 | HYD CYL- DBL 1-1/2" X 5-5/8" |
| 41 | P0820007 | SWIVEL-3/8"PT/90D |
| 42 | P0820611 | ELBOW-6 ORBX3/8"JIC M 45 |
| 43 | P0821130 | SWIVEL-8 ORBX1/2"FPS |
| 44 | P0832027 | HOSE 3/8(12'6")-3/8FJICX-3/8MPT PC |
| 45 | P0832044 | HOSE 1/2(32'6")-1/2MPT-1/2MPT PC |
| 46 | P0832052 | HOSE 3/8(32'6")-3/8MPT-3/8FJICX PC |

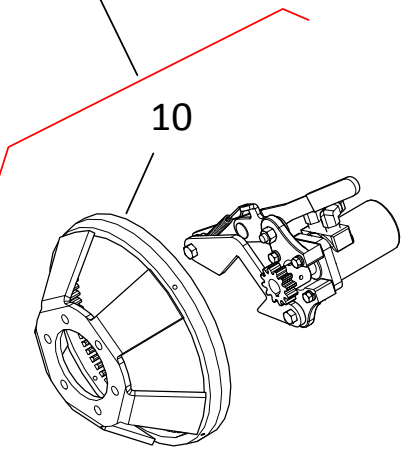
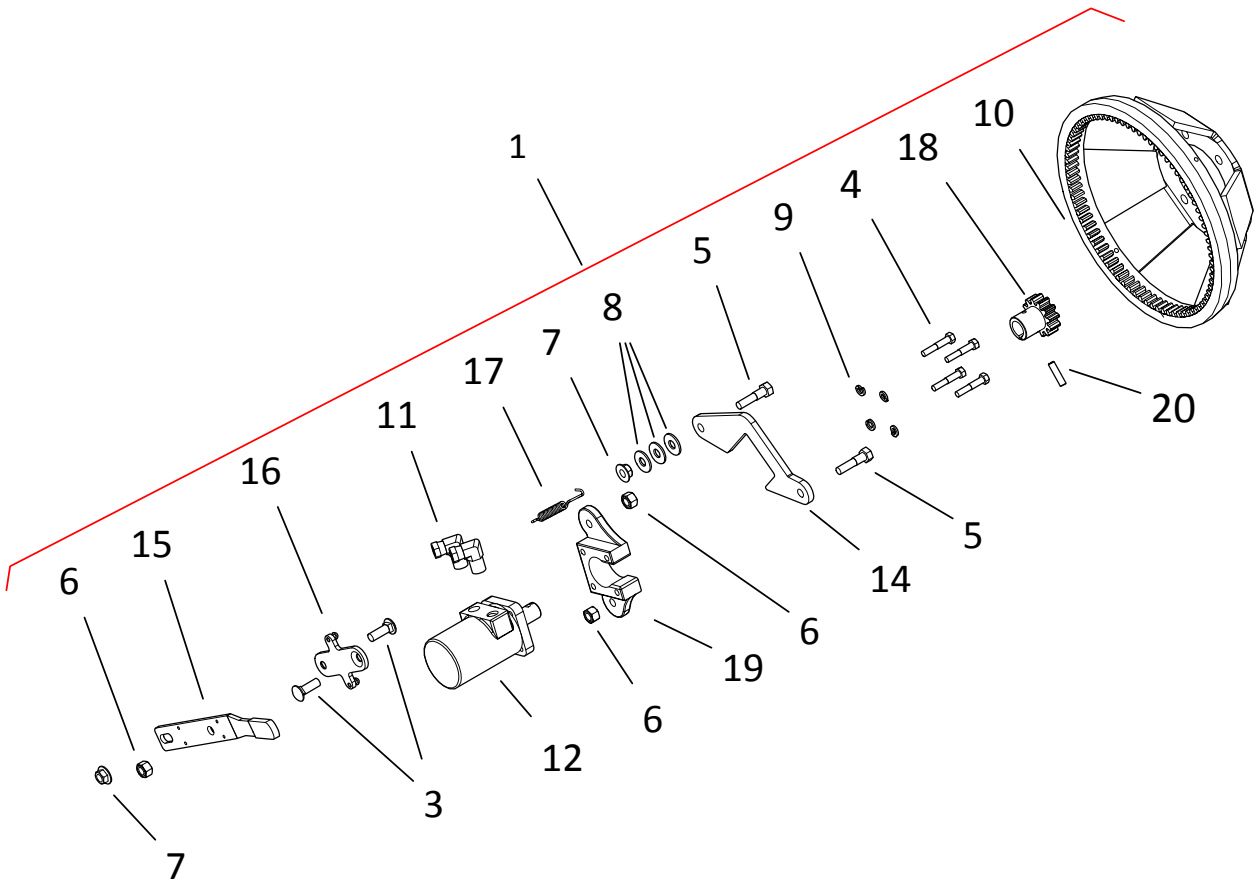
WHEEL MOVE (1512100X)



WHEEL MOVE (1512100X)

| ITEM | PART NO. | DESCRIPTION |
|------|------------|-------------------------------------|
| 47 | P0832074 | HOSE 3/8(63")-3/8FJICX-3/8MPT PC |
| 48 | P0832074 | HOSE 3/8(63")-3/8FJICX-3/8MPT PC |
| 49 | P0832075 | HOSE 3/8(48")-3/8FJICX-3/8MPT |
| 50 | P0832075 | HOSE 3/8(48")-3/8FJICX-3/8MPT |
| 51 | P0832076 | HOSE 3/8(36")-3/8FJICX-3/8MPT PC |
| 52 | P0832077 | HOSE 3/8(30")-3/8FJICX-3/8MPT PC |
| 53 | P0861042 | VALVE-4 SPL W/JOYSTICK W/2 HANDLES |
| 54 | P0861043 | FLOW RESTRICTOR-3/8"NPT (.031 HOLE) |
| 55 | P1742002 | BEARING-1-1/4" |
| 56 | P11130185P | AXLE END CAP |
| 57 | P11152017P | STEERING LINK |
| 58 | P020200308 | HYDRAULIC CYLINDER |
| 59 | P022300068 | SLIDER WEAR PLATE |

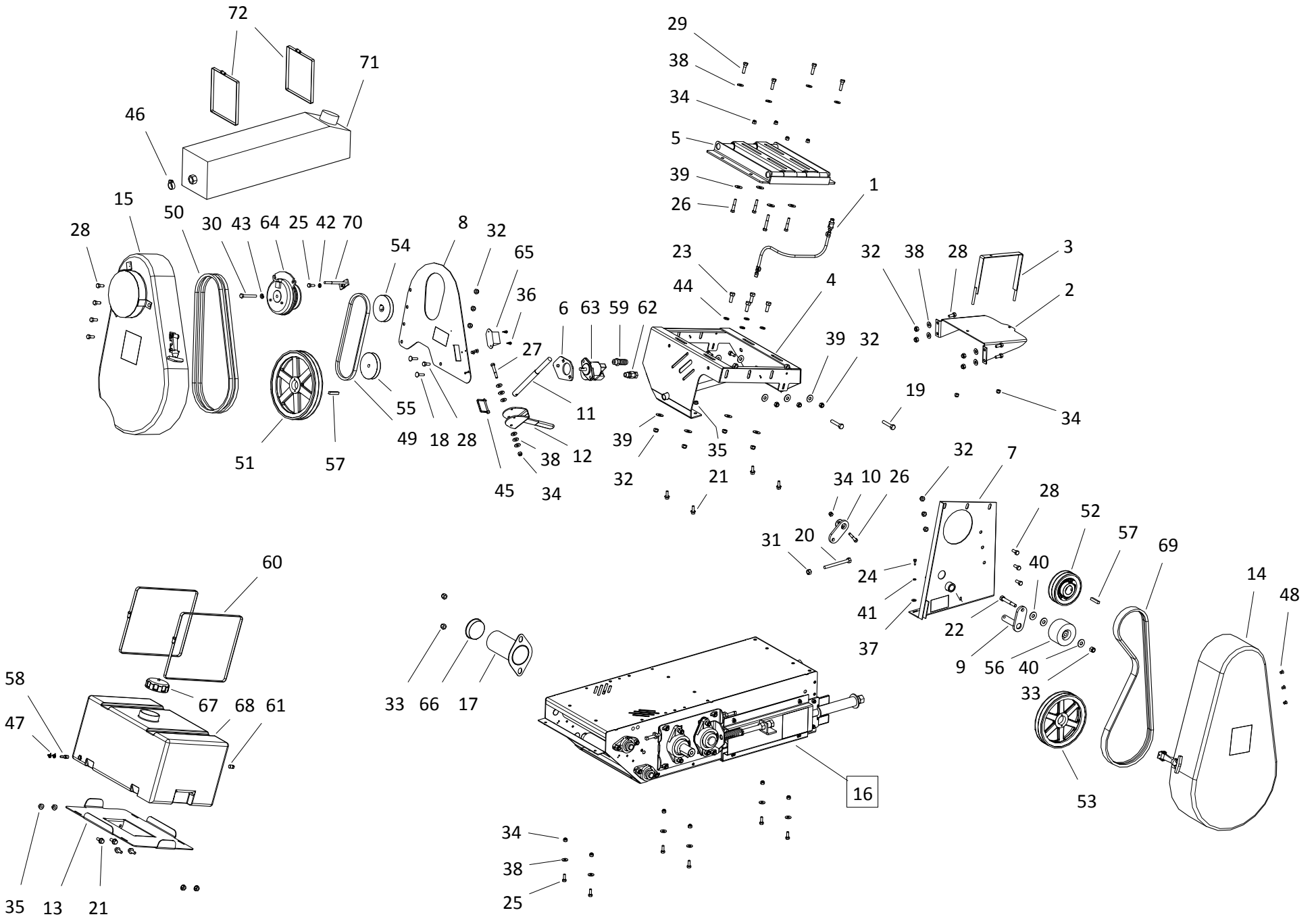
WHEEL MOVE DRIVE SYSTEM (13000144)



WHEEL MOVE DRIVE SYSTEM (13000144)

| ITEM | PART NO. | DESCRIPTION |
|------|-------------|------------------------------------|
| 1 | 13000120 | WM DRIVE PINION GEAR ASSY - RIGHT |
| 2 | 13000121 | WM DRIVE PINION GEAR ASSY - LEFT |
| 3 | P0113004 | CARRIAGE BOLT 1/2"X1-1/2"PLATED |
| 4 | P0115050 | BOLT 3/8" X 2" GR5 PLATED |
| 5 | P0118016 | BOLT 1/2" X 2" GR8 PLATED |
| 6 | P0134008 | LOCKNUT-NYLON-1/2" |
| 7 | P0134108 | LOCKNUT-TENSILOCK-1/2" |
| 8 | P0151029 | FLAT WASHER 1/2"PLATED USS |
| 9 | P0152006 | LOCK WASHER 3/8"PLATED |
| 10 | P0615315 | RING GEAR - 4 BOLT C/W MOUNT PLATE |
| 11 | P0820013 | SWIVEL-1/2MX3/8F90 |
| 12 | P0841012 | HYD MOTOR-6.3 (5.9H) RS-1/2" HOLE |
| 13 | P0861201 | CUSHION BLOCK, COMPLETE |
| 14 | P11130126 | WHEEL-MOVE AXLE TAB 3" |
| 15 | P020200007 | HANDLE WITH GRIP |
| 16 | 15121033 | PAINTED HANDLE LINK ARM |
| 17 | P020200009 | HANDLE SPRING |
| 18 | P020200333 | PINION GEAR-1"ID 3/8"HOLE |
| 19 | P020200338A | MOTOR ARM -EYEGLOSS PIECE, DRILLED |
| 20 | P0167101 | ROLL PIN SLOTTED 3/8" X 1-1/2" |
| 21 | P0163011 | HAIR PIN 5/32X2-15/16 (66326) |
| 22 | P0821127 | SWIVEL-3/8"-STR. |

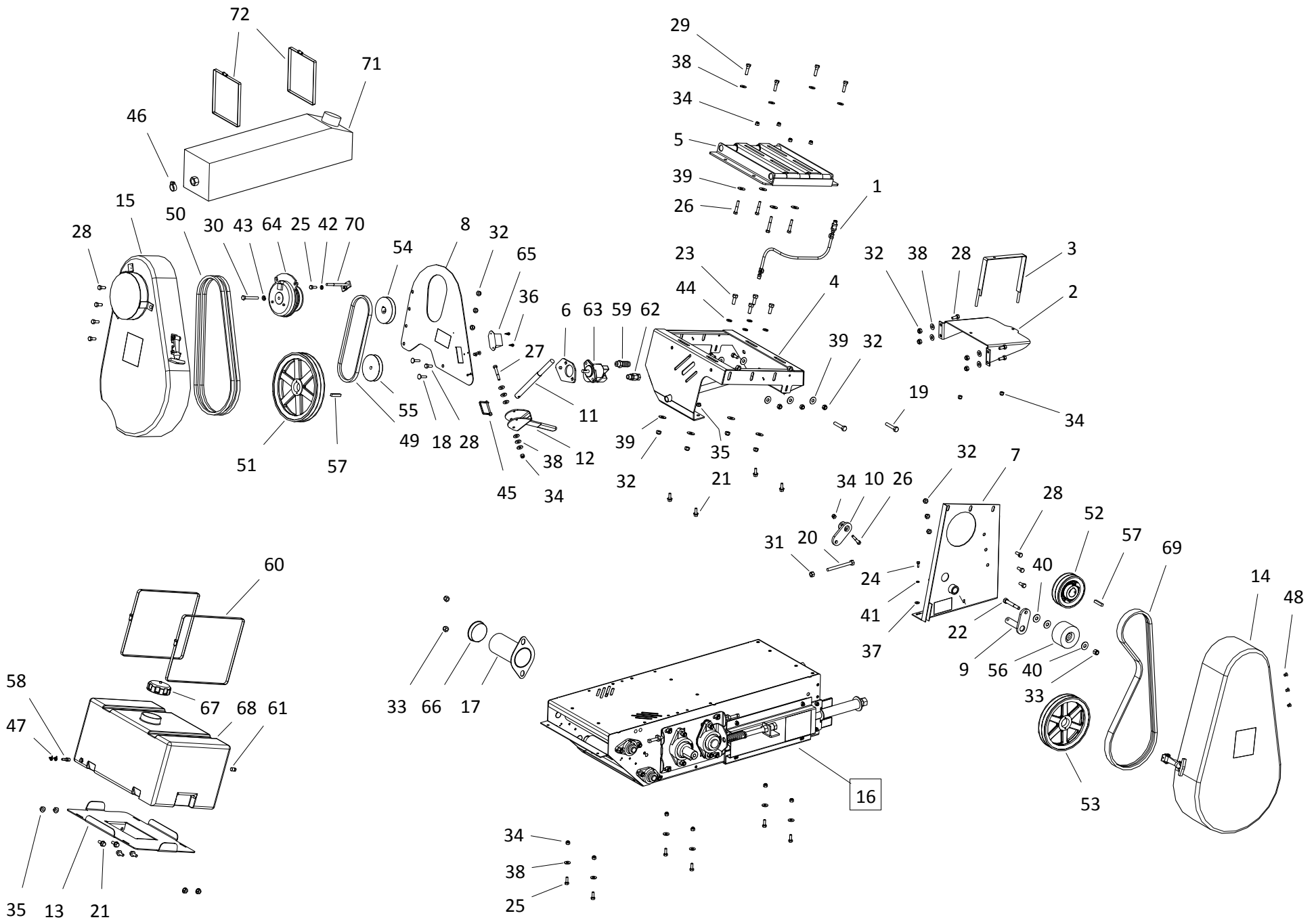
TOP MOUNT GAS KIT



TOP MOUNT GAS KIT

| ITEM | PART NO. | DESCRIPTION |
|------|----------|------------------------------------|
| 1 | 01010003 | BREATHER DIRECT DRIVE |
| 2 | 13012108 | MOTOR MOUNT BATTERY MOUNT |
| 3 | 13060054 | BATTERY CLAMP |
| 4 | 13060102 | MOTOR MOUNT |
| 5 | 13060103 | SLIDER MOUNT |
| 6 | 13060104 | PUMP MOUNT -PINCH DRIVE |
| 7 | 13060105 | MOTOR MOUNT BACK PLATE |
| 8 | 13060107 | ENGINE GUARD BACK |
| 9 | 13060113 | ROCKER ARM PIVOT SHAFT |
| 10 | 13060114 | ROCKER ARM SLEEVE |
| 11 | 13100028 | PIVOT HANDLE SHAFT |
| 12 | 13100035 | PIVOT HANDLE |
| 13 | 15011016 | GAS TANK MOUNT BRACKET PAINTED |
| 14 | 15040056 | PINCH GUARD MED ASSEMBLED |
| 15 | 15040057 | PINCH GUARD SM ASSY W/ ELEC CLUTCH |
| 16 | 15590020 | S-DRIVE ASM W/PINCH |
| 17 | 24041038 | SHAFT GUARD(FL-210) |
| 18 | P0113018 | CARRIAGE BOLT 3/8"X1 1/2"PLATED |
| 19 | P0114005 | TAP BOLT 1/2 X 2-1/2 GR.8 PLATED |
| 20 | P0114015 | BOLT TAP 1/2"X5" GR5 PLATED |
| 21 | P0115214 | BOLT FLANGE 7/16" X 1" PLATED |
| 22 | P0118019 | BOLT 1/2" X 3-1/2" GR8 PLATED |
| 23 | P0118020 | BOLT 1/2" X 1-1/4" GR8 PLATED |
| 24 | P0118033 | BOLT 1/4" X 3/4" GR8 PLATED |
| 25 | P0118046 | BOLT 3/8" X 1" GR8 PLATED |
| 26 | P0118050 | BOLT 3/8" X 2" GR8 PLATED |
| 27 | P0118051 | BOLT 3/8" X 2-1/2" GR8 PLATED |
| 28 | P0118076 | BOLT 7/16"X1" GRADE 8 PLATED |
| 29 | P0118077 | BOLT 7/16"X1-1/2" GRADE 8 PLATED |
| 30 | P0119080 | BOLT 7/16" X 3" GR8 FINE |
| 31 | P0131015 | NUT 1/2" PLATED GRADE 8 |
| 32 | P0134007 | LOCKNUT-NYLON-7/16" |
| 33 | P0134008 | LOCKNUT-NYLON-1/2" |
| 34 | P0134026 | LOCKNUT-NYLON-3/8" GRADE 8 |
| 35 | P0134107 | LOCKNUT-TENSILOCK-7/16" |
| 36 | P0142006 | SCREW-TAPPING #8 X 3/4" SELF DRILL |
| 37 | P0151006 | FLAT WASHER 1/4"PLATED USS |
| 38 | P0151009 | FLAT WASHER 3/8"PLATED USS |
| 39 | P0151012 | FLAT WASHER 7/16"PLATED USS |
| 40 | P0151029 | FLAT WASHER 1/2"PLATED USS |
| 41 | P0152004 | LOCK WASHER 1/4"PLATED |
| 42 | P0152006 | LOCK WASHER 3/8"PLATED |
| 43 | P0152007 | LOCK WASHER 7/16"PLATED |
| 44 | P0152008 | LOCK WASHER 1/2"PLATED |
| 45 | P0163010 | QUICK PIN 1/4X2-1/2 |
| 46 | P0184006 | HOSE CLAMP-3/4"(HS12) |

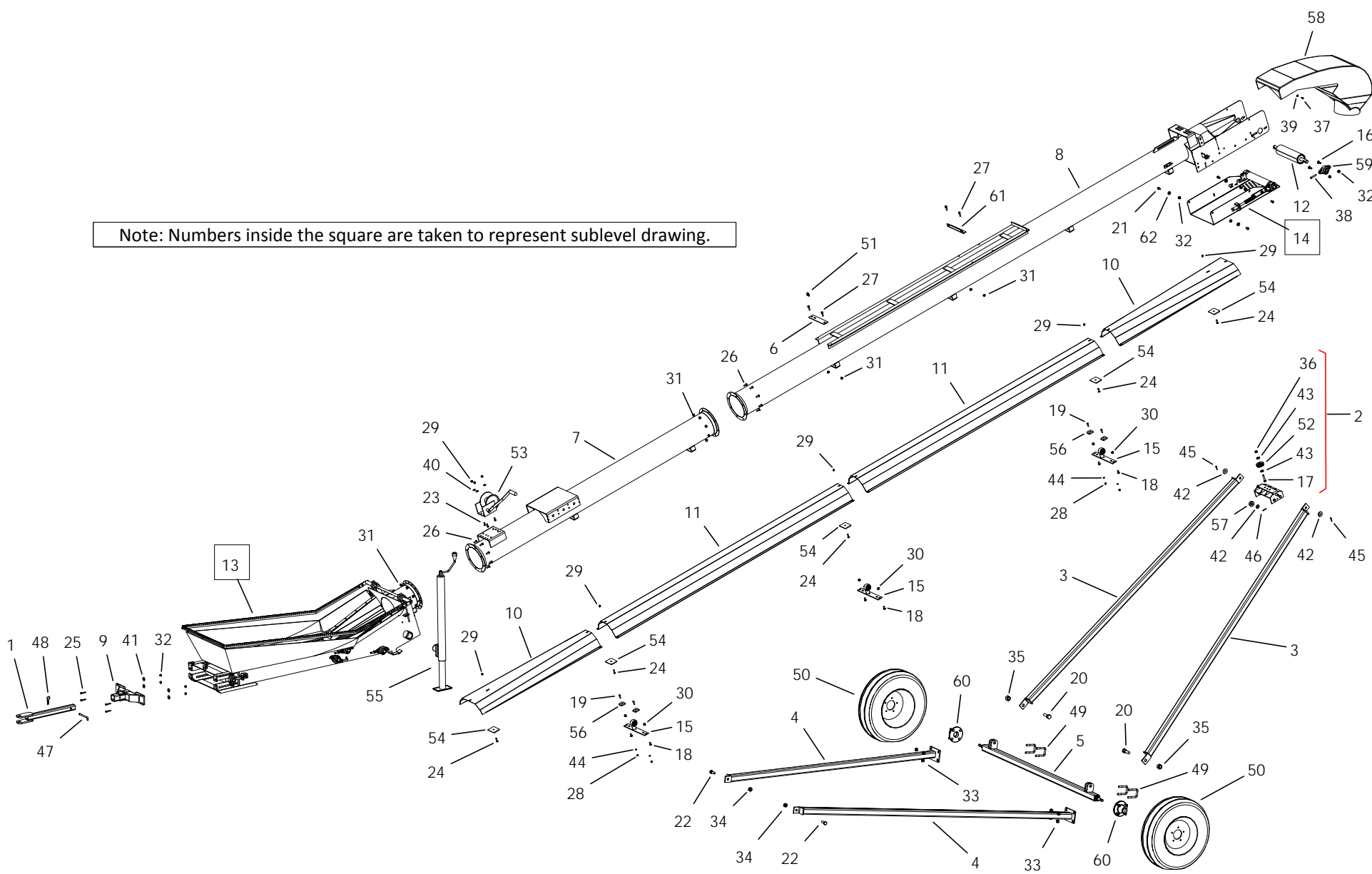
TOP MOUNT GAS KIT



TOP MOUNT GAS KIT

| ITEM | PART NO. | DESCRIPTION |
|------|--------------|------------------------------------|
| 47 | P0184033 | WIRE HOSE CLAMP .500" |
| 48 | P0186001 | RIVET-STEEL BODY 3/16" X 1/2" |
| 49 | P0321035 | BELT B35 |
| 50 | P0321054 | BELT B54 |
| 51 | P0328024 | PULLEY-DBL-12" W/1-1/2"BORE |
| 52 | P0328025 | PULLEY-DBL-6" W/1-1/2"BORE |
| 53 | P0328062 | PULLEY-DBL-10" W/1-1/2"BORE |
| 54 | P0328905 | PULLEY-4-1/2"X1-1/8" |
| 55 | P0328906 | PULLEY-4-1/2"X1/2" |
| 56 | P0328910 | IDLER-FLAT-4"TRPL 2-7/16"WIDE |
| 57 | P0391002 | KEY 3/8" X 2" LONG |
| 58 | P0820510 | HOSE BARB-1/4"MPTX1/4"HOSE |
| 59 | P0820702 | HOSE BARB-10MORBX3/4"HOSE |
| 60 | P0820807 | CLAMP 2 X 50" |
| 61 | P0821013 | PLUG-1/4"PT |
| 62 | P0821130 | SWIVEL-8 ORBX1/2"FPS |
| 63 | P0841033 | PUMP-SMALL |
| 64 | P0911003 | ELEC CLUTCH,1-1/8" ENG SHFT, 175 |
| 65 | P0911004 | SOFT STARTER |
| 66 | P1210033 | 501 SHAFT GUARD PLUG |
| 67 | P1210037 | GAS TANK CAP- KELCH 350 W VENT |
| 68 | P1210038 | GAS TANK-22X14X11.5 53L(14 GAL)RED |
| 69 | P03210651 | BELT 2B65 BANDED |
| 70 | P020601009 | CLUTCH STOP BRACKET |
| 71 | P029900052-3 | TANK, 22L, BLK W/FTG, CAP HOSE |
| 72 | P029900216 | GEAR CLAMP 32" |
| 73 | P0911006 | SOFT START CLUTCH WIRING PIGT |
| 74 | P0953001 | HEAT SHRINK TUBING 1/4" BLK |
| 75 | P0961006 | BUTT CONNECTOR-BLUE |
| 76 | P0961010 | CONNECTOR-RING 3/8"STUD |
| 77 | P1243001 | CABLE TIE 14" 120 LB |
| 78 | P2218148 | TOGGLE SWITCH |
| 79 | P0142006 | SCREW-TAPPING #8 X 3/4" SELF DRILL |
| 80 | P0151033 | WASHER FLAT #10 SAE PLATED |
| 81 | P0712114 | THROTTLE CONTROL 15' |
| 82 | P0831008 | FUEL LINE-1/4"ID |

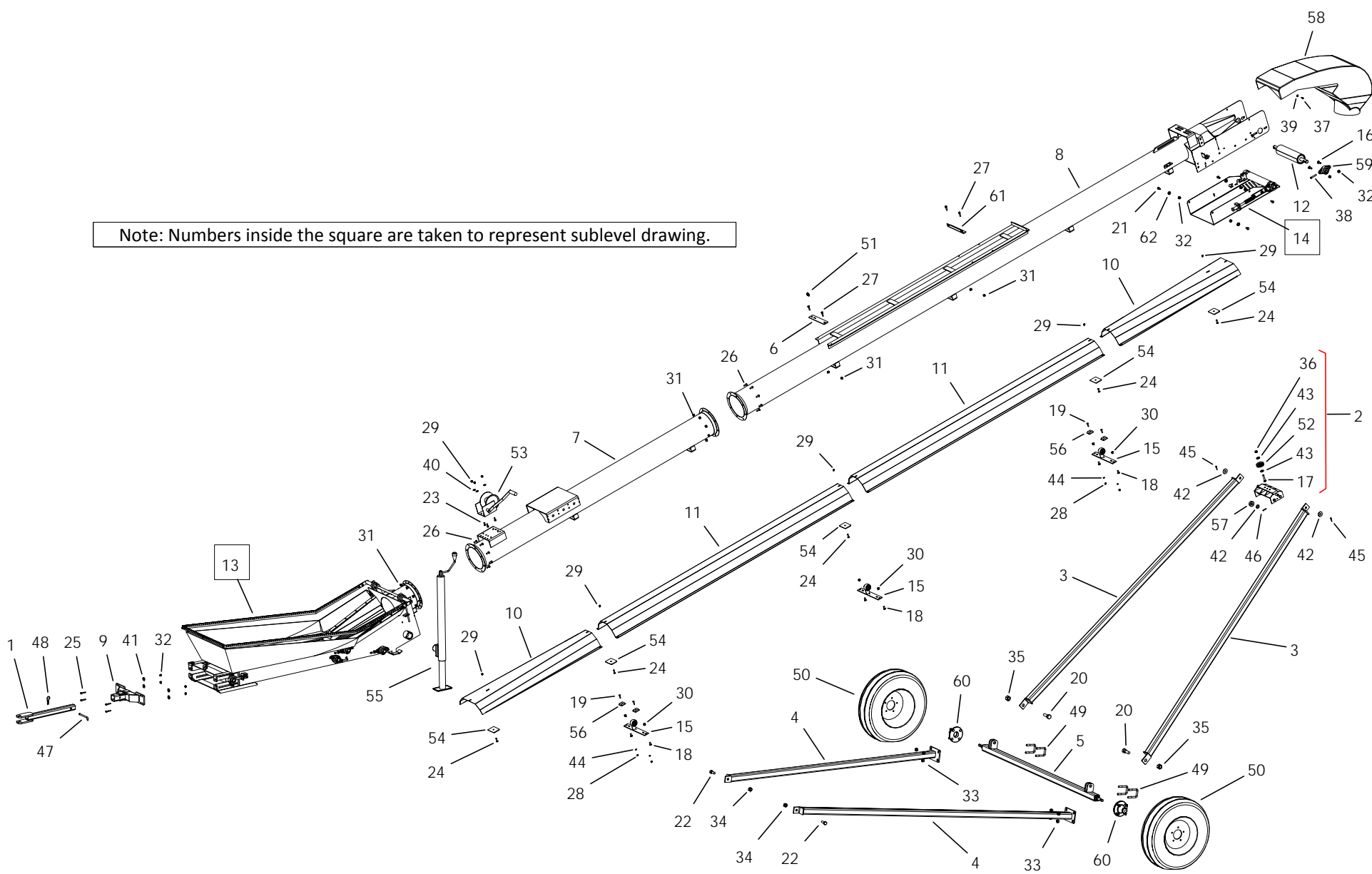
Note: Numbers inside the square are taken to represent sublevel drawing.



FX 1535 TD FL (15503531)

| ITEM | PART NO. | DESCRIPTION |
|------|-----------|-------------------------------------|
| 1 | 13030001 | STRAIGHT TONGUE |
| 2 | 13030042 | 13/15 TRACK SLIDER |
| 3 | 13030053 | 1330TD/1335FL Upright Arms |
| 4 | 13030102 | AXLE ARM 30/35TD/45-2-1/2" |
| 5 | 13030115 | AXLE 30-45-2-1/2" (WITH 8 LUGS) |
| 6 | 13032094 | 35/45 SMALL CABLE ATTACH |
| 7 | 15020114 | 35TDFL UPPER CENTER TUBE 10' (FX) |
| 8 | 15020115 | TD SPOUT SECTION 20' W/RTRN MOUNTS |
| 9 | 15030007 | HITCH FL (ONE PC) |
| 10 | 15042102 | WEATHER GUARD 5' FLR - 61-1/2" |
| 11 | 15042121 | WEATHER GUARD 10' - 121-1/2" |
| 12 | 15070013 | SPOUT DRIVE ROLLER-1-1/4" LAGGED |
| 13 | 15100040 | FX-15FL HOPPER |
| 14 | 15597003 | FX - SPOUT PINCH RLLR KIT |
| 15 | 150100911 | WEATHER GUARD MOUNT BAR KIT-POLY |
| 16 | P0113001 | CARRIAGE BOLT 1/2"X2" PLATED |
| 17 | P0113009 | BOLT CARRIAGE 1/2"X2-3/4" GR5 |
| 18 | P0113013 | CARRIAGE BOLT 7/16"X1" PLATED |
| 19 | P0113020 | CARRIAGE BOLT 5/16"X1-1/2"PLATED |
| 20 | P0115004 | BOLT 1" X 3" GRADE 5 PLATED |
| 21 | P0118020 | BOLT 1/2" X 1-1/4" GR8 PLATED |
| 22 | P0115036 | BOLT 3/4" X 2" GRADE 5 PLATED |
| 23 | P0115046 | BOLT 3/8"X1" GRADE 5 PLATED |
| 24 | P0115303 | CAPSCREW 3/8X1-1/4FLT HD SOCKET PTD |
| 25 | P0118016 | BOLT 1/2" X 2" GR8 PLATED |
| 26 | P0118076 | BOLT 7/16"X1" GRADE 8 PLATED |
| 27 | P0118077 | BOLT 7/16"X1-1/2" GRADE 8 PLATED |
| 28 | P0131017 | NUT 5/16" PLATED GRADE 8 |
| 29 | P0134026 | LOCKNUT-NYLON-3/8" GRADE 8 |
| 30 | P0134007 | LOCKNUT-NYLON-7/16" |
| 31 | P0134007 | LOCKNUT-NYLON-7/16" |
| 32 | P0134008 | LOCKNUT-NYLON-1/2" |
| 33 | P0134010 | LOCKNUT-NYLON-5/8" |
| 34 | P0134012 | LOCKNUT-NYLON-3/4" |
| 35 | P0134016 | LOCKNUT-NYLON-1" |
| 36 | P0134108 | LOCKNUT-TENSILOCK-1/2" |
| 37 | P0141002 | TEK SCREW 1/4"X1" |
| 38 | P0145002 | SET SCREW-7/16"X2-1/2"SQ.HD. |
| 39 | P0151006 | FLAT WASHER 1/4"PLATED USS |
| 40 | P0151009 | FLAT WASHER 3/8"PLATED USS |
| 41 | P0151012 | FLAT WASHER 7/16"PLATED USS |
| 42 | P0151026 | FLAT WASHER 3/4"SAE |
| 43 | P0151029 | FLAT WASHER 1/2"PLATED USS |
| 44 | P0152010 | LOCK WASHER 5/16"PLATED |
| 45 | P0161001 | Cotter Pin 1/4 x 2 |
| 46 | P0161002 | COTTER PIN 5/32X1-1/2"PLATED |

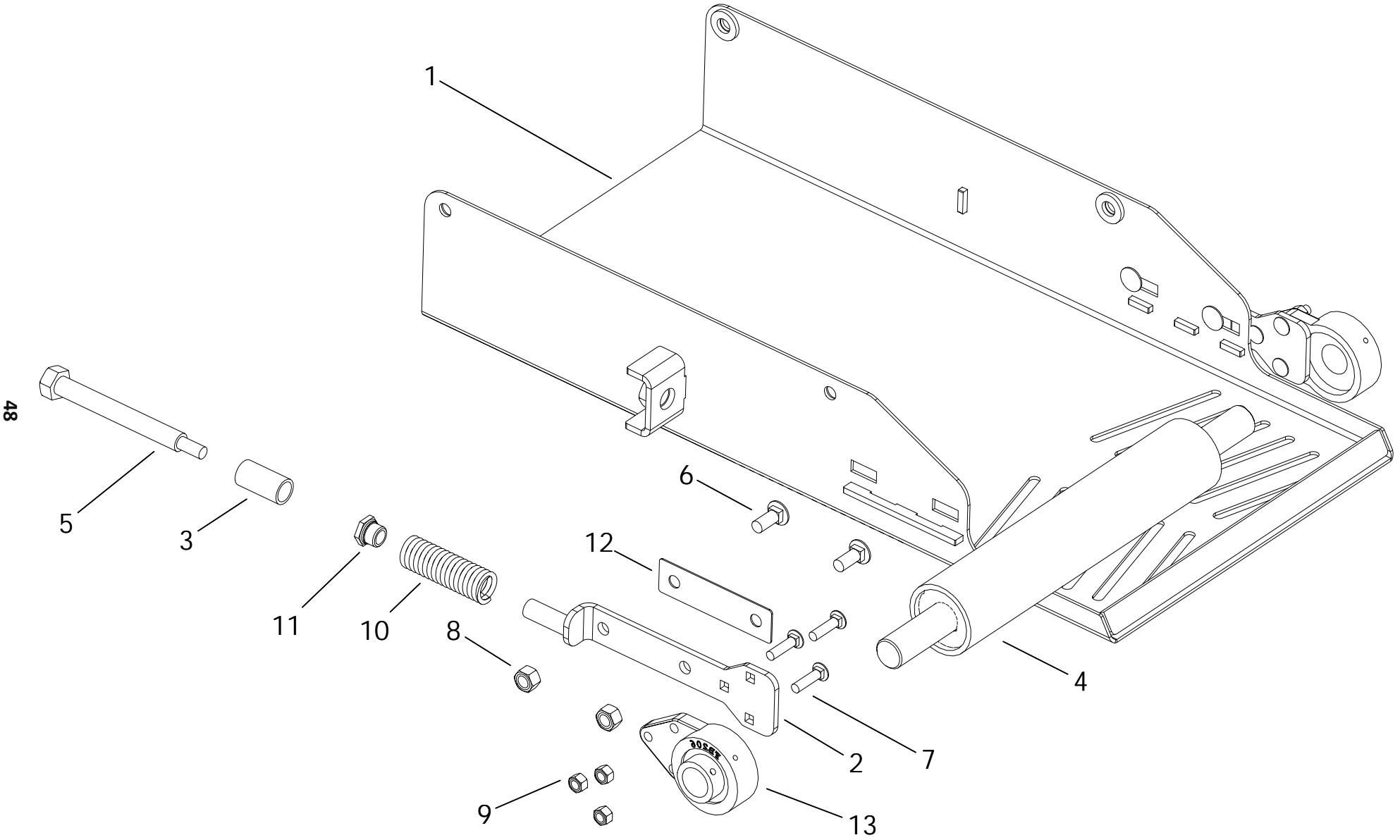
Note: Numbers inside the square are taken to represent sublevel drawing.



FX 1535 TD FL (15503531)

| ITEM | PART NO. | DESCRIPTION |
|------|-----------|-------------------------------------|
| 47 | P0162001 | HITCH PIN 1/2" X 3" PLATED |
| 48 | P0163001 | HAIR PIN 3/16" X 3-1/4" |
| 49 | P0183003 | U-BOLT 2-1/2" X 2-1/2" (5/8) PLATED |
| 50 | P0614301 | TIRE ASSEMBLY-15"X4.5"X4BOLT |
| 51 | P0712105 | CABLE CLAMP-5/16" GALV. |
| 52 | P0713105 | CABLE SHEAVE-3" |
| 53 | P0714102 | WINCH-1500# BRAKE |
| 54 | P1010001 | UNI-MOUNT PLATE CAST |
| 55 | P1012009 | JACK-7000LB SQ.TUBE 25" EXT |
| 56 | P1210030 | BELT GUIDE BLOCK |
| 57 | P1211305 | ROLLER 2" NYLON |
| 58 | P1211501 | HOOD-ROUND 15 SERIES (KANBAN) |
| 59 | P1711002 | FLANGE UNIT-1-1/4"-SAFL206-20 |
| 60 | P0614102 | HUB-HA411 C/W BRGS-4 BOLT |
| 61 | 13032125 | BOLT ON ANGLE |
| 62 | P11150177 | FX PINCH MOUNT SPACER |

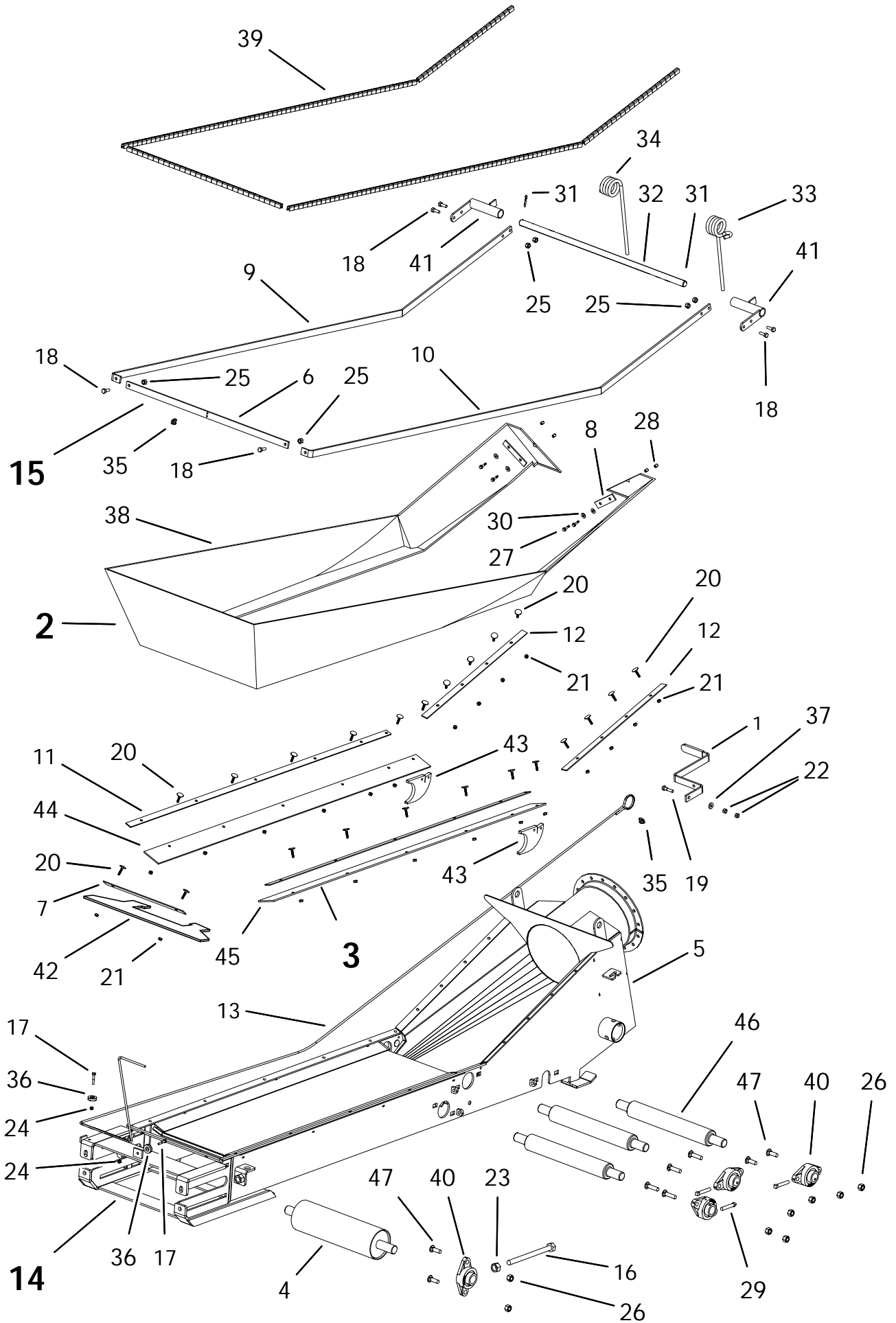
FX-SPOUT PINCH ROLLER KIT (15597003)



FX-SPOUT PINCH ROLLER KIT (15597003)

| ITEM | PART NO. | DESCRIPTION |
|------|----------|---------------------------------|
| 1 | 15061022 | FX - TD PINCH MOUNT |
| 2 | 15061024 | FX - PUSH BAR |
| 3 | 15062110 | TD PINCH PIPE |
| 4 | 15070032 | FX - PINCH ROLLER |
| 5 | P0113000 | SPRING TENSION BOLT |
| 6 | P0113004 | CARRIAGE BOLT 1/2"X1-1/2"PLATED |
| 7 | P0113015 | CARRIAGE BOLT 3/8"X1" PLATED |
| 8 | P0134008 | LOCKNUT-NYLON-1/2" |
| 9 | P0134106 | LOCKNUT-TENSILOCK-3/8" |
| 10 | P0511008 | SPRING-LD-1300 SERIES |
| 11 | P0820129 | BUSHING BRASS FLANGED |
| 12 | P1211023 | TD PINCH SLIDER PLATE |
| 13 | P1711010 | 3 BOLT FLANGE UNIT-1-1/4"-206 |

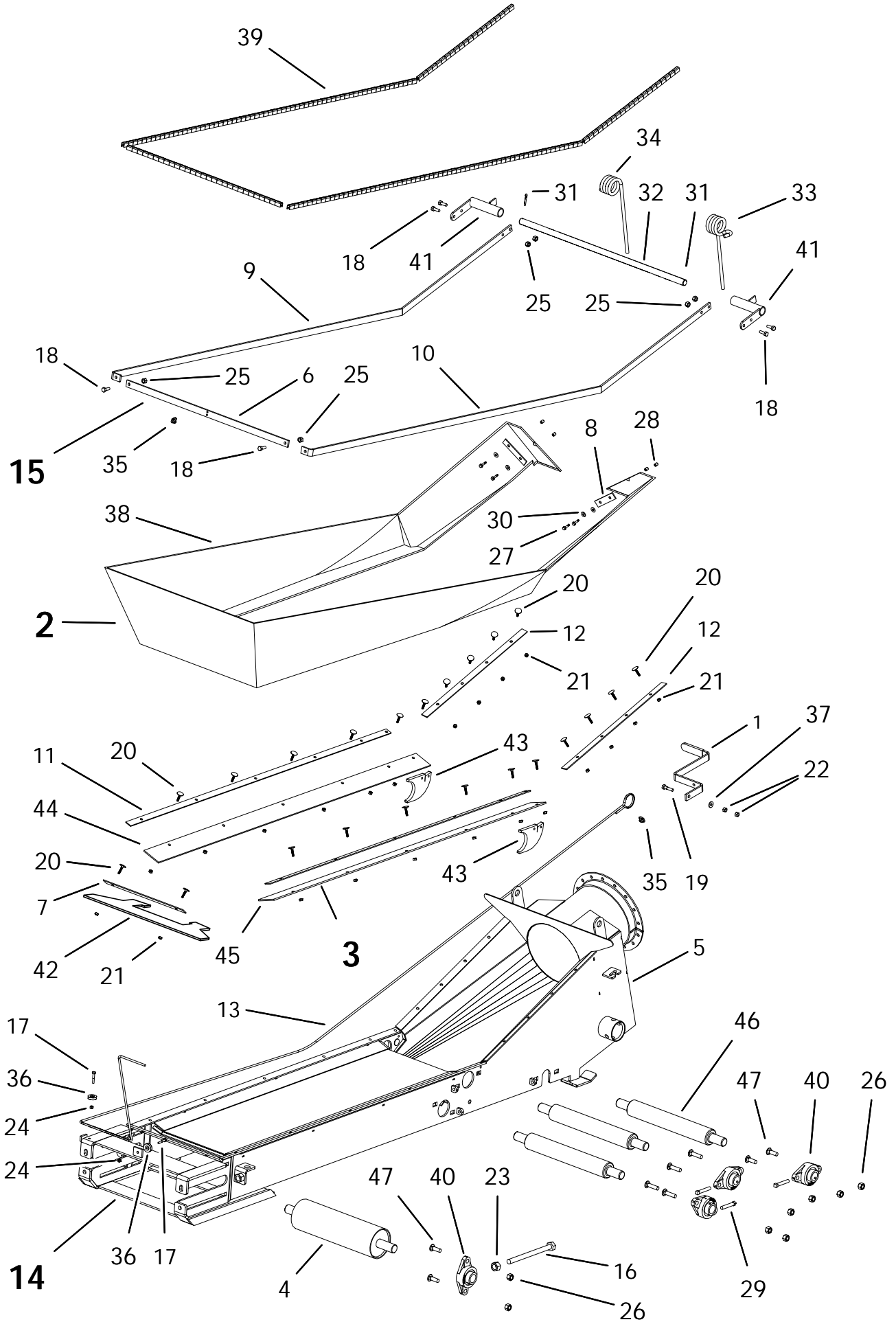
FX HOPPER (15100040)



FX HOPPER (15100040)

| ITEM | PART NO. | DESCRIPTION |
|------|-----------|------------------------------------|
| 1 | 13100008 | HOPPER HANDLE |
| 2 | 15000291 | FX HOPPER -COLLAPSABLE FL |
| 3 | 15000292 | FX-HOPPER -FLASHING ONLY FL |
| 4 | 15070012 | TAKE-UP ROLLER-1-1/4" LAGGED |
| 5 | 15100040 | FX-15FL HOPPER |
| 6 | 15102018 | UPPER CLOTH FRAME TR FRONT |
| 7 | 15102058 | LOWER CLOTH FRAME TR FRONT |
| 8 | 15102061 | LOWER CLOTH FRAME TR BACK |
| 9 | 15102184 | 15FL UPPER CLOTH FRAME RIGHT FX |
| 10 | 15102185 | 15FL UPPER CLOTH FRAME LEFT FX |
| 11 | 15102189 | 15FL LOWER CLOTH FRAME SIDE |
| 12 | 15102190 | 15FL LOWER CLOTH FRAME TRANS |
| 13 | 15103229 | CABLE 1/8" 7X19 GAC (18') |
| 14 | 15555545 | FX-15 HOPPER RLLER KIT -FL |
| 15 | 15100121 | HOPPER CLOTH FRAME-UPPER KIT FX |
| 16 | P0114010 | TAP BOLT 3/4 X 9 UNC GR.5 PLATED |
| 17 | P0115026 | BOLT 1/4" X 1-1/2" GR5 PLATED |
| 18 | P0115046 | BOLT 3/8"X1" GRADE 5 PLATED |
| 19 | P0115047 | BOLT 3/8"X1-1/2" GRADE 5 PLATED |
| 20 | P0116001 | ELEVATOR BOLT 1/4"X1-1/4" |
| 21 | P0131016 | NUT 1/4" PLATED GRADE 8 |
| 22 | P0131006 | NUT 3/8" PLATED |
| 23 | P0131112 | NUT 3/4"PLATED |
| 24 | P0134004 | LOCKNUT-NYLON-1/4" |
| 25 | P0134026 | LOCKNUT-NYLON-3/8" GRADE 8 |
| 26 | P0134008 | LOCKNUT-NYLON-1/2" |
| 27 | P0141002 | TEK SCREW 1/4"X1" |
| 28 | P0145001 | VINYL SCREW CAP |
| 29 | P0145004 | SET SCREW-7/16"X1-1/2"SQ.HD.PLATED |
| 30 | P0151006 | FLAT WASHER 1/4"PLATED USS |
| 31 | P0161003 | COTTER PIN 3/16"X1-1/2"PLATED |
| 32 | P0162007 | HOPPER PIVOT SHAFT-13/15 |
| 33 | P0521005 | HOPPER SPRING-L-.437 |
| 34 | P0521006 | HOPPER SPRING-R-.437 |
| 35 | P0712104 | CABLE CLAMP-1/8" GALV. |
| 36 | P0713104 | CABLE SHEAVE-1-1/4" W/BEARING |
| 37 | P1210010 | Washer Nylon 3/8 USS |
| 38 | P1621024 | HOPPER CANVAS FX15FL |
| 39 | P1641015 | TRIM LOCK |
| 40 | P1711002 | FLANGE UNIT-1-1/4"-SAFL206-20 |
| 41 | P2515017 | PIVOT SHAFT BRACKET |
| 42 | P19159012 | FRONT HOPPER FLASHING |
| 43 | P19159020 | FX-HOPPER SIDE FLASHING |
| 44 | P19159021 | FX-15FL HOPPER FLASHING LH |
| 45 | P19159022 | FX-15FL HOPPER FLASHING RH |
| 46 | P20315003 | FX-15FL TRANSITION ROLLER |

FX HOPPER (15100040)

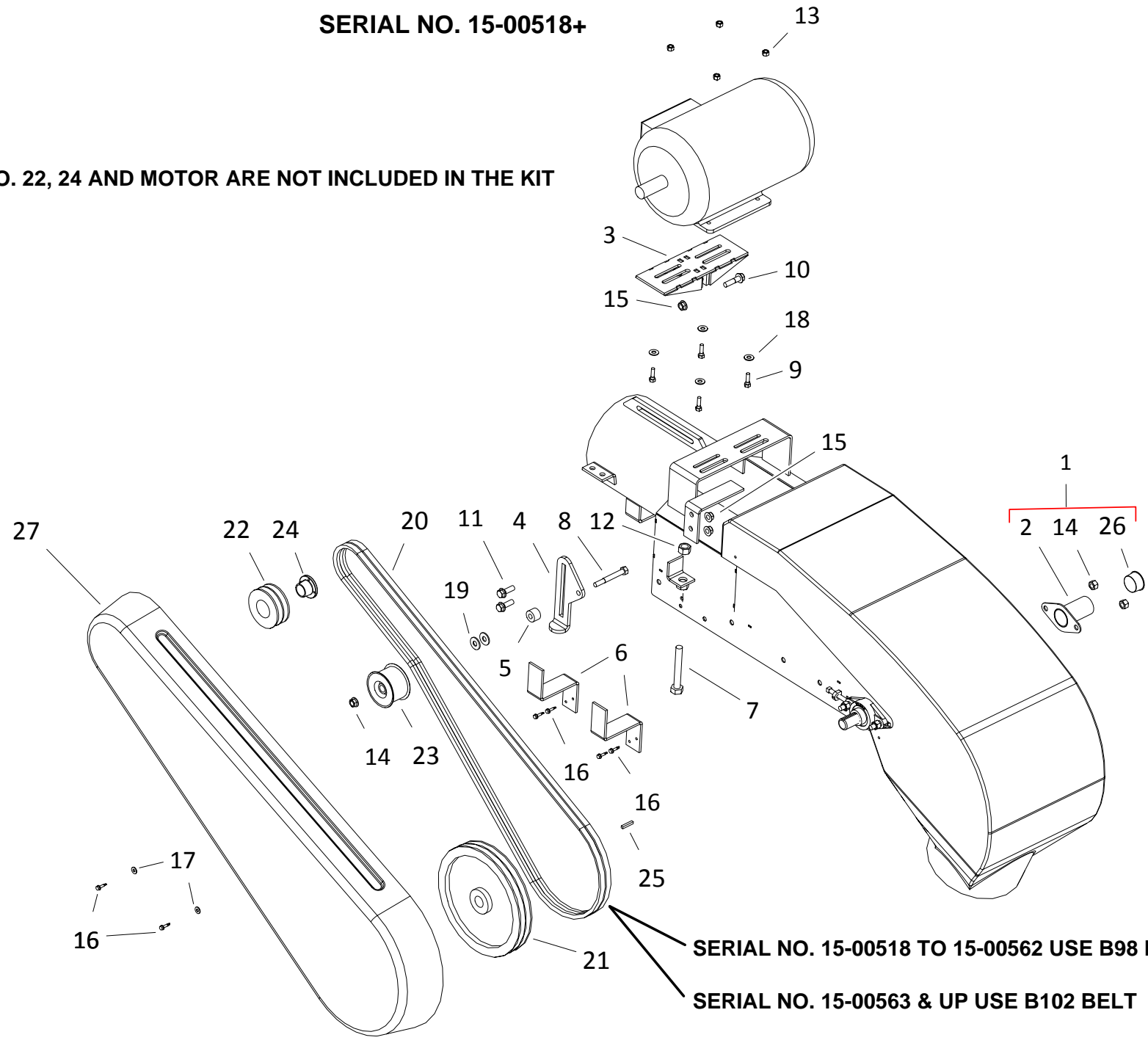


FX HOPPER (15100040)

| ITEM | PART NO. | DESCRIPTION |
|------|----------|---------------------------------|
| 47 | P0113004 | CARRIAGE BOLT 1/2"X1-1/2"PLATED |

SERIAL NO. 15-00518+

ITEM NO. 22, 24 AND MOTOR ARE NOT INCLUDED IN THE KIT

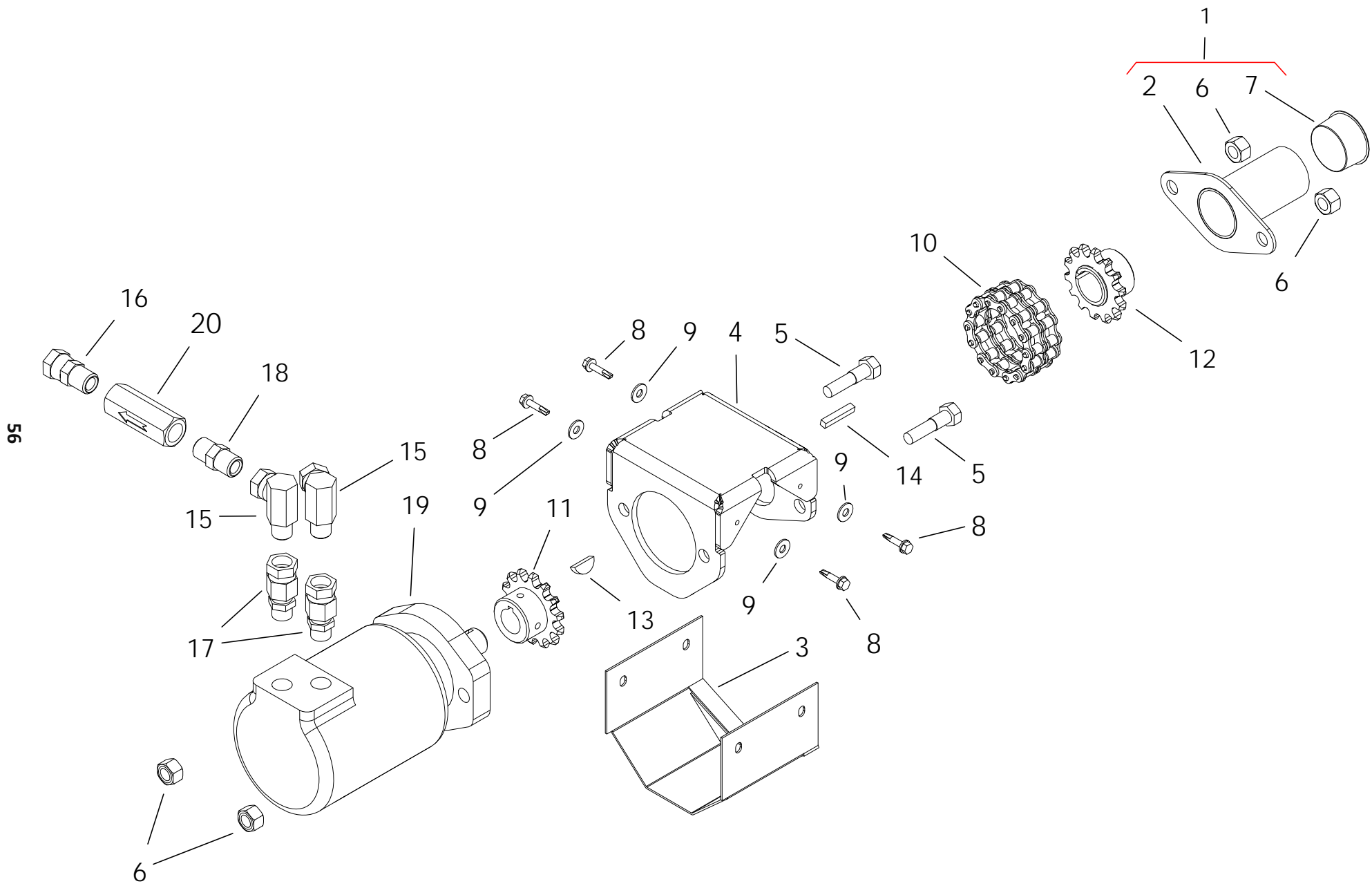


ELECTRIC DRIVE KIT (15000275)

ELECTRIC DRIVE KIT (15000275)

| ITEM | PART NO. | DESCRIPTION |
|------|----------|---------------------------------|
| | 15000275 | ELECTRIC DRIVE KIT |
| 1 | 1300035X | SHAFT GUARD FL-206 ASSY KIT |
| 2 | 13041038 | SHAFT GUARD(FL-206) |
| 3 | 15062405 | MOVER MOTOR MOUNT |
| 4 | 15062406 | MOTOR BELT IDLER |
| 5 | 15062407 | IDLER SPACER |
| 6 | 25013011 | PIT GUARD MOUNT |
| 7 | P0114006 | TAP BOLT 3/4 X 5 PLATED |
| 8 | P0118130 | BOLT 1/2" X 4" GR8 PLATED |
| 9 | P0115045 | BOLT 3/8" X 1-1/4" GR5 PLATED |
| 10 | P0115201 | BOLT FLANGE 1/2 X 2" PLATED F/T |
| 11 | P0115218 | BOLT FLANGE 1/2 X 1-1/2" PLATED |
| 12 | P0131019 | NUT 3/4" PLATED GRADE 8 |
| 13 | P0134026 | LOCKNUT-NYLON-3/8" GRADE 8 |
| 14 | P0134008 | LOCKNUT-NYLON-1/2" |
| 15 | P0134108 | LOCKNUT-TENSILOCK-1/2" |
| 16 | P0141002 | TEK SCREW 1/4"X1" |
| 17 | P0151006 | FLAT WASHER 1/4"PLATED USS |
| 18 | P0151009 | FLAT WASHER 3/8"PLATED USS |
| 19 | P0151029 | FLAT WASHER 1/2"PLATED USS |
| 20 | P0321102 | BELT B102 |
| 21 | P0328007 | PULLEY-DBL-B-12" W/1-1/4"BORE |
| 22 | P0328018 | PULLEY-DBL-BK-4"H |
| 23 | P0328910 | IDLER-FLAT-4"TRPL 2-7/16"WIDE |
| 24 | P0340320 | HUB-H 1-1/4" |
| 25 | P0391003 | KEY 1/4" X 1-1/2" LONG |
| 26 | P1210032 | FL-206 SHAFT GUARD PLUG |
| 27 | P1211803 | PIT GUARD |

FX HYDRAULIC DRIVE KIT (15000285)

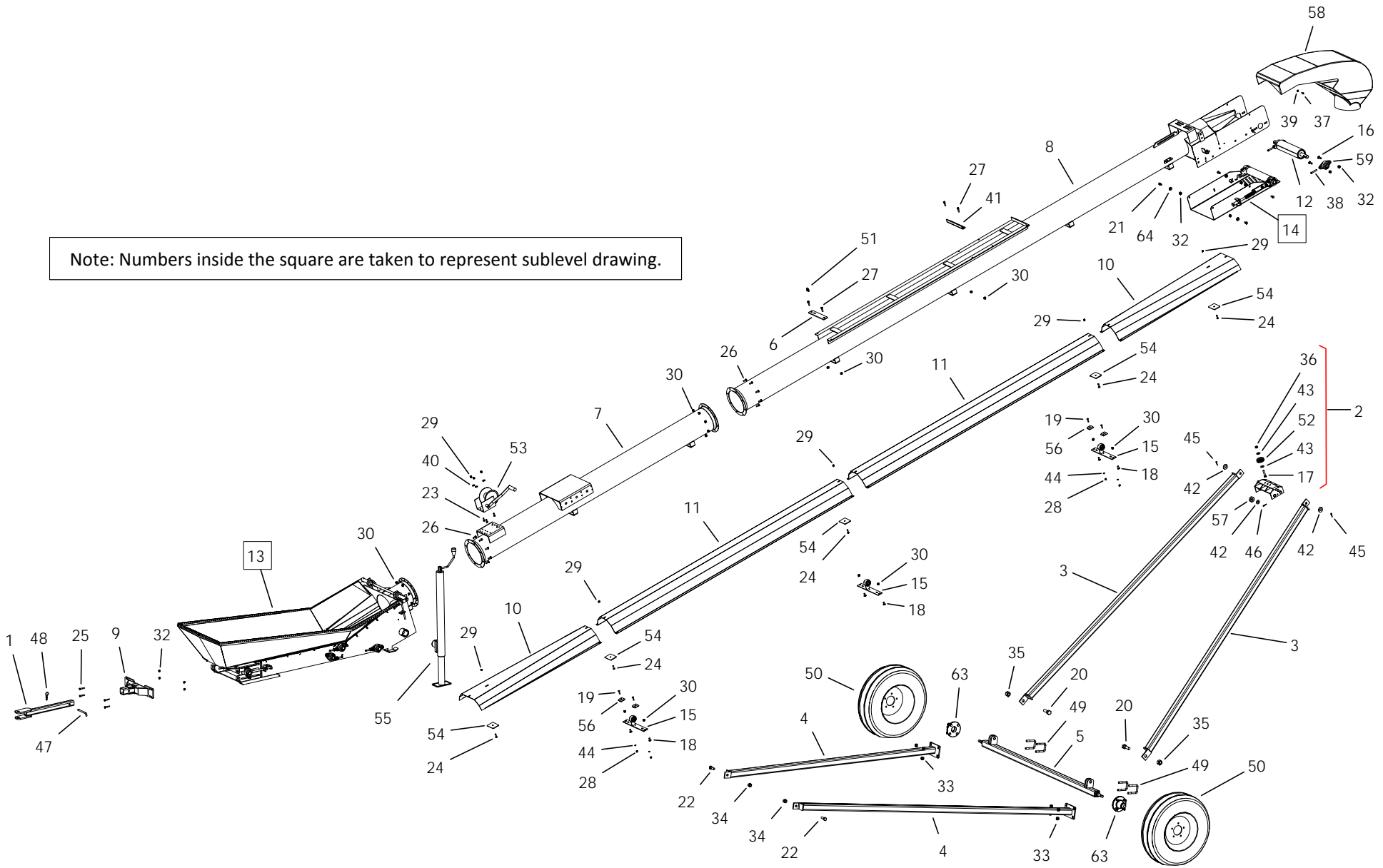


FX HYDRAULIC DRIVE KIT (15000285)

| ITEM | PART NO. | DESCRIPTION |
|------|----------|-------------------------------------|
| | 15000285 | HYDRAULIC DRIVE KIT |
| 1 | 1300035X | SHAFT GUARD FL-206 ASSY KIT |
| 2 | 13041038 | SHAFT GUARD(FL-206) |
| 3 | 15041040 | HYD COUPLER GUARD |
| 4 | 15062408 | HYD MOTOR MOUNT |
| 5 | P0118016 | BOLT 1/2" X 2" GR8 PLATED |
| 6 | P0134008 | LOCKNUT-NYLON-1/2" |
| 7 | P1210032 | FL-206 SHAFT GUARD PLUG |
| 8 | P0141002 | TEK SCREW 1/4"X1" |
| 9 | P0151006 | FLAT WASHER 1/4"PLATED USS |
| 10 | P0311001 | ROLLER CHAIN FOR DRIVE(50-2RX14+CL) |
| 11 | P0335140 | SPROCKET 5014 1.0(KEY0.25) |
| 12 | P0335141 | SPROCKET 5014 1.25(KEY0.25) |
| 13 | P0391001 | WOODRUFF KEY-(19224)1/4X1 |
| 14 | P0391003 | KEY 1/4" X 1-1/2" LONG |
| 15 | P0820001 | SWIVEL-1/2"90 DEGREE |
| 16 | P0821112 | SWIVEL-1/2" STRAIGHT |
| 17 | P0821114 | SWIVEL-10ORBX1/2"FS |
| 18 | P0821133 | HEX NIPPLE-1/2" |
| 19 | P0841019 | HYD MOTOR-6.2-2000-1" |
| 20 | P0861035 | CHECK VALVE-1/2" (NO HOLE) |

FX 1535 TD FL-SHORT (15503533)

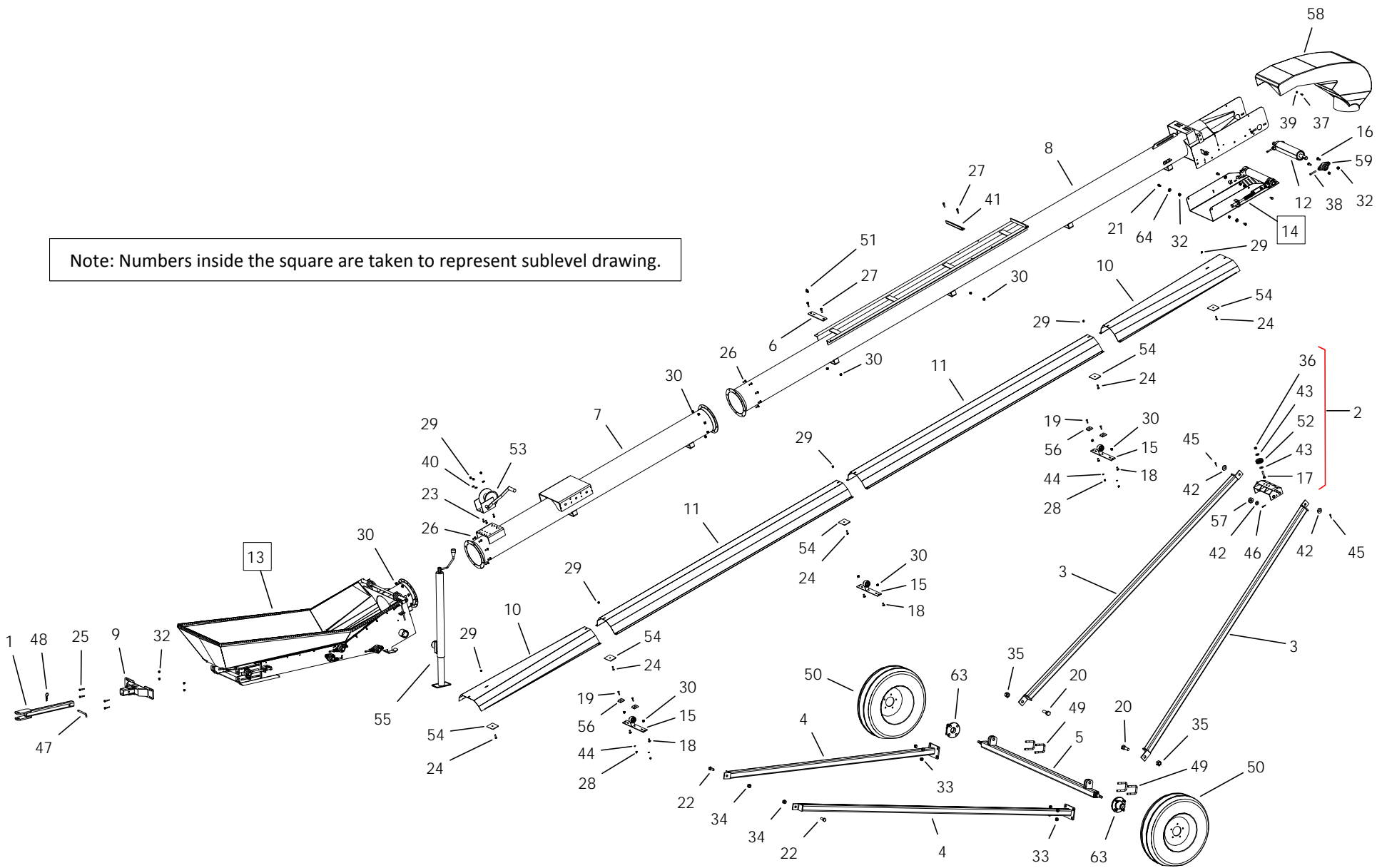
Note: Numbers inside the square are taken to represent sublevel drawing.



FX 1535 TD FL-SHORT (15503533)

| ITEM | PART NO. | DESCRIPTION |
|------|-----------|-------------------------------------|
| 1 | 13030001 | STRAIGHT TONGUE |
| 2 | 13030042 | 13/15 TRACK SLIDER |
| 3 | 13030053 | 1330TD/1335FL Upright Arms |
| 4 | 13030102 | AXLE ARM 30/35TD/45-2-1/2" |
| 5 | 13030115 | AXLE 30-45-2-1/2" (WITH 8 LUGS) |
| 6 | 13032094 | 35/45 SMALL CABLE ATTACH |
| 7 | 15020104 | 35TDFL UPPER CENTER TUBE 10' |
| 8 | 15020115 | TD SPOUT SECTION 20' W/RTRN MOUNTS |
| 9 | 15030007 | HITCH FL (ONE PC) |
| 10 | 15042102 | WEATHER GUARD 5' FLR - 61-1/2" |
| 11 | 15042121 | WEATHER GUARD 10' - 121-1/2" |
| 12 | 15070013 | SPOUT DRIVE ROLLER-1-1/4" LAGGED |
| 13 | 15555546 | FX-15 SHORT HOPPER RLLER KIT -FL |
| 14 | 15597003 | FX - SPOUT PINCH RLLR KIT |
| 15 | 150100911 | WEATHER GUARD MOUNT BAR KIT-POLY |
| 16 | P0113001 | CARRIAGE BOLT 1/2"X2" PLATED |
| 17 | P0113009 | BOLT CARRIAGE 1/2"X2-3/4" GR5 |
| 18 | P0113013 | CARRIAGE BOLT 7/16"X1" PLATED |
| 19 | P0113020 | CARRIAGE BOLT 5/16"X1-1/2"PLATED |
| 20 | P0115004 | BOLT 1" X 3" GRADE 5 PLATED |
| 21 | P0118020 | BOLT 1/2" X 1-1/4" GR8 PLATED |
| 22 | P0115036 | BOLT 3/4" X 2" GRADE 5 PLATED |
| 23 | P0115046 | BOLT 3/8"X1" GRADE 5 PLATED |
| 24 | P0115303 | CAPSCREW 3/8X1-1/4FLT HD SOCKET PTD |
| 25 | P0118016 | BOLT 1/2" X 2" GR8 PLATED |
| 26 | P0118076 | BOLT 7/16"X1" GRADE 8 PLATED |
| 27 | P0118077 | BOLT 7/16"X1-1/2" GRADE 8 PLATED |
| 28 | P0131017 | NUT 5/16" PLATED GRADE 8 |
| 29 | P0134026 | LOCKNUT-NYLON-3/8" GRADE 8 |
| 30 | P0134007 | LOCKNUT-NYLON-7/16" |
| 32 | P0134008 | LOCKNUT-NYLON-1/2" |
| 33 | P0134010 | LOCKNUT-NYLON-5/8" |
| 34 | P0134012 | LOCKNUT-NYLON-3/4" |
| 35 | P0134016 | LOCKNUT-NYLON-1" |
| 36 | P0134108 | LOCKNUT-TENSILOCK-1/2" |
| 37 | P0141002 | TEK SCREW 1/4"X1" |
| 38 | P0145002 | SET SCREW-7/16"X2-1/2"SQ.HD. |
| 39 | P0151006 | FLAT WASHER 1/4"PLATED USS |
| 40 | P0151009 | FLAT WASHER 3/8"PLATED USS |
| 41 | 13032125 | BOLT ON ANGLE |
| 42 | P0151026 | FLAT WASHER 3/4"SAE |
| 43 | P0151029 | FLAT WASHER 1/2"PLATED USS |
| 44 | P0152010 | LOCK WASHER 5/16"PLATED |
| 45 | P0161001 | Cotter Pin 1/4 x 2 |
| 46 | P0161002 | COTTER PIN 5/32X1-1/2"PLATED |
| 47 | P0162001 | HITCH PIN 1/2" X 3" PLATED |

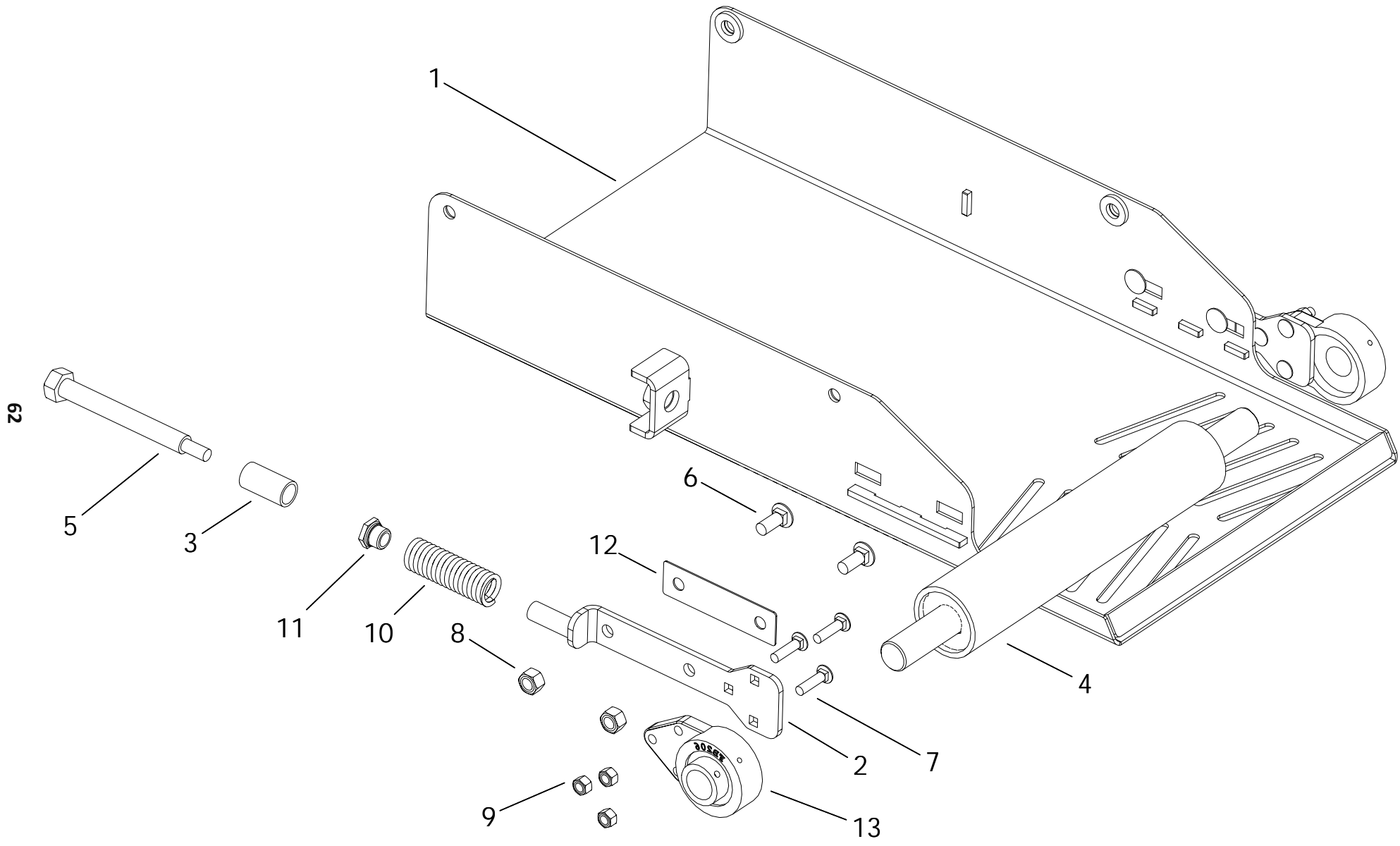
Note: Numbers inside the square are taken to represent sublevel drawing.



FX 1535 TD FL-SHORT (15503533)

| ITEM | PART NO. | DESCRIPTION |
|------|-----------|-------------------------------------|
| 48 | P0163001 | HAIR PIN 3/16" X 3-1/4" |
| 49 | P0183003 | U-BOLT 2-1/2" X 2-1/2" (5/8) PLATED |
| 50 | P0614301 | TIRE ASSEMBLY-15"X4.5"X4BOLT |
| 51 | P0712105 | CABLE CLAMP-5/16" GALV. |
| 52 | P0713105 | CABLE SHEAVE-3" |
| 53 | P0714102 | WINCH-1500# BRAKE |
| 54 | P1010001 | UNI-MOUNT PLATE CAST |
| 55 | P1012009 | JACK-7000LB SQ.TUBE 25" EXT |
| 56 | P1210030 | BELT GUIDE BLOCK |
| 57 | P1211305 | ROLLER 2" NYLON |
| 58 | P1211501 | HOOD-ROUND 15 SERIES (KANBAN) |
| 59 | P1711002 | FLANGE UNIT-1-1/4"-SAFL206-20 |
| 60 | P2227989 | MANUAL HOLDER AND LID |
| 61 | 15103228 | CABLE 1/8" 7X19 GAC (13') |
| 62 | 15570460 | FX1535FLTD SHORT 80' |
| 63 | P0614102 | HUB-HA411 C/W BRGS-4 BOLT |
| 64 | P11150177 | FX PINCH MOUNT SPACER |

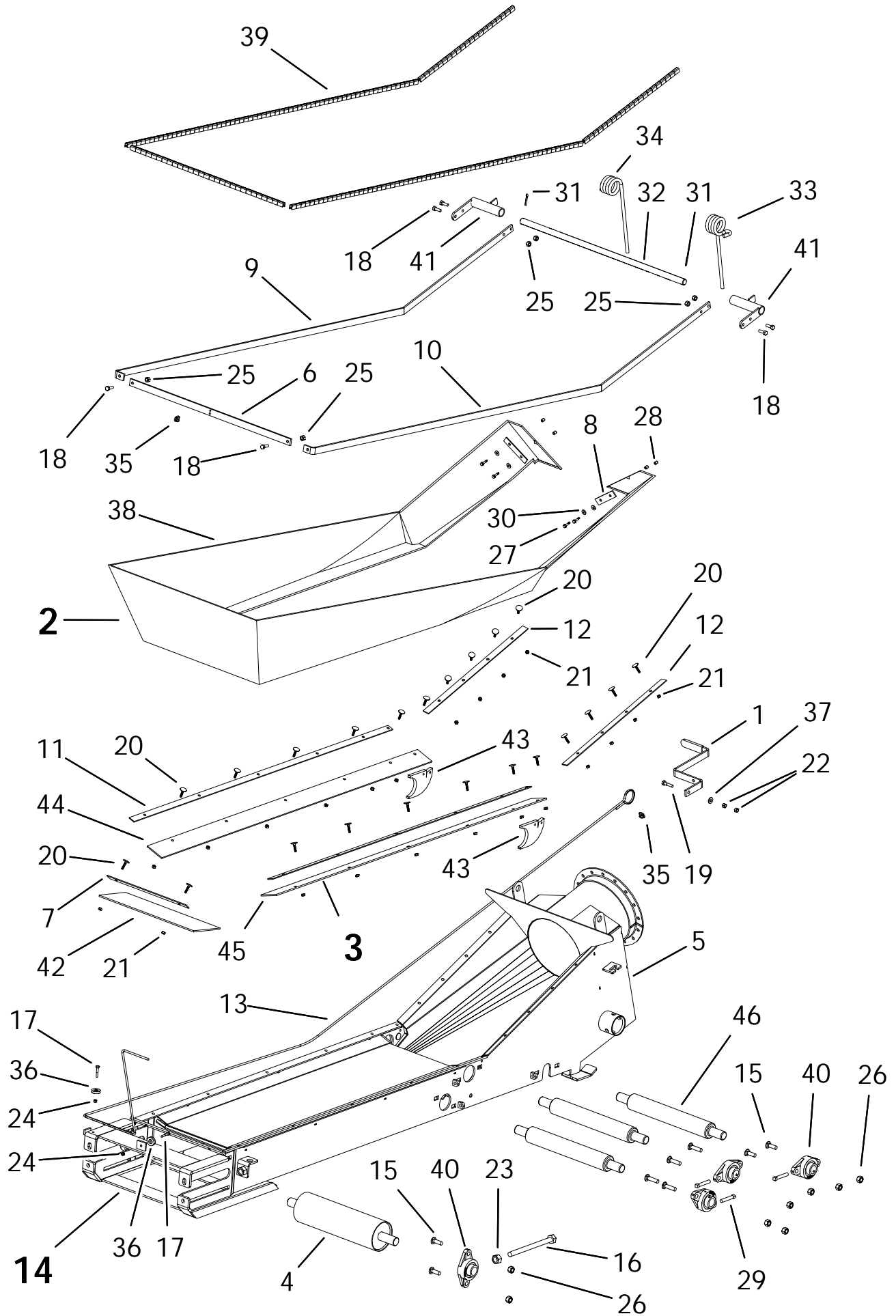
FX-SPOUT PINCH ROLLER KIT (15597003)



FX-SPOUT PINCH ROLLER KIT (15597003)

| ITEM | PART NO. | DESCRIPTION |
|------|----------|---------------------------------|
| 1 | 15061022 | FX - TD PINCH MOUNT |
| 2 | 15061024 | FX - PUSH BAR |
| 3 | 15062110 | TD PINCH PIPE |
| 4 | 15070032 | FX - PINCH ROLLER |
| 5 | P0113000 | SPRING TENSION BOLT |
| 6 | P0113004 | CARRIAGE BOLT 1/2"X1-1/2"PLATED |
| 7 | P0113015 | CARRIAGE BOLT 3/8"X1" PLATED |
| 8 | P0134008 | LOCKNUT-NYLON-1/2" |
| 9 | P0134106 | LOCKNUT-TENSILOCK-3/8" |
| 10 | P0511008 | SPRING-LD-1300 SERIES |
| 11 | P0820129 | BUSHING BRASS FLANGED |
| 12 | P1211023 | TD PINCH SLIDER PLATE |
| 13 | P1711010 | 3 BOLT FLANGE UNIT-1-1/4"-206 |

FX SHORT HOPPER



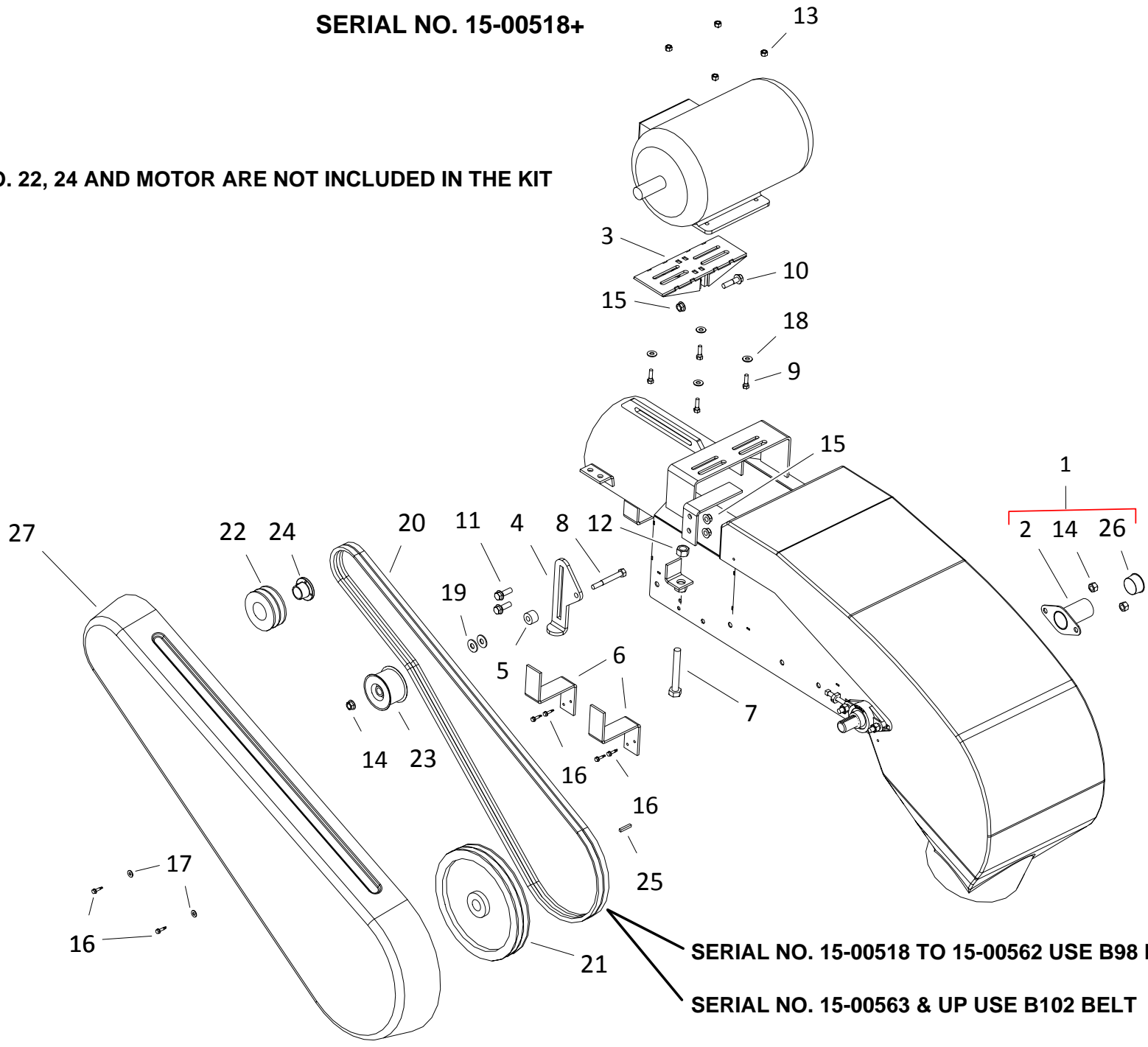
FX SHORT HOPPER

| ITEM | PART NO. | DESCRIPTION |
|------|-----------|------------------------------------|
| 1 | 13100008 | HOPPER HANDLE |
| 2 | 1555572X | FX HOPPER -COLLAPSABLE FL - SHORT |
| 3 | 1555596X | FX-HOPPER-SHORT FLASHING ONLY |
| 4 | 15070012 | TAKE-UP ROLLER-1-1/4" LAGGED |
| 5 | 15100041 | FX-15FL HOPPER-SHORT |
| 6 | 15102018 | UPPER CLOTH FRAME TR FRONT |
| 7 | 15102058 | LOWER CLOTH FRAME TR FRONT |
| 8 | 15102061 | LOWER CLOTH FRAME TR BACK |
| 9 | 15102196 | FX-15FL SHORT UPPER FRAME RH |
| 10 | 15102195 | FX-15FL SHORT UPPER FRAME LH |
| 11 | 15102197 | FX-15FL LOWER SHORT FRAME SIDE |
| 12 | 15102190 | 15FL LOWER CLOTH FRAME TRANS |
| 13 | 15103228 | CABLE 1/8" 7X19 GAC (13') |
| 14 | 15555546 | FX-15 SHORT HOPPER RLLER KIT -FL |
| 15 | P0113004 | CARRIAGE BOLT 1/2"X1-1/2"PLATED |
| 16 | P0114010 | TAP BOLT 3/4 X 9 UNC GR.5 PLATED |
| 17 | P0118026 | BOLT 1/4" X 1-1/2" GR8 PLATED |
| 18 | P0118046 | BOLT 3/8" X 1" GR8 PLATED |
| 19 | P0115113 | BOLT 3/8" X 1-1/2" GR8 PLATED |
| 20 | P0116001 | ELEVATOR BOLT 1/4"X1-1/4" |
| 21 | P0131016 | NUT 1/4" PLATED GRADE 8 |
| 22 | P0131018 | NUT 3/8" PLATED GRADE 8 |
| 23 | P0131019 | NUT 3/4" PLATED GRADE 8 |
| 24 | P0134023 | LOCKNUT-NYLON-1/4" GR8 |
| 25 | P0134026 | LOCKNUT-NYLON-3/8" GRADE 8 |
| 26 | P0134008 | LOCKNUT-NYLON-1/2" |
| 27 | P0141002 | TEK SCREW 1/4"X1" |
| 28 | P0145001 | VINYL SCREW CAP |
| 29 | P0145004 | SET SCREW-7/16"X1-1/2"SQ.HD.PLATED |
| 30 | P0151006 | FLAT WASHER 1/4"PLATED USS |
| 31 | P0161003 | COTTER PIN 3/16"X1-1/2"PLATED |
| 32 | P0162007 | HOPPER PIVOT SHAFT-13/15 |
| 33 | P0521001 | HOPPER SPRING-L |
| 34 | P0521002 | HOPPER SPRING-R |
| 35 | P0712104 | CABLE CLAMP-1/8" GALV. |
| 36 | P0713104 | CABLE SHEAVE-1-1/4" W/BEARING |
| 37 | P1210010 | Washer Nylon 3/8 USS |
| 38 | P1621025 | HOPPER CANVAS SHORT FX15FL |
| 39 | P1641015 | TRIM LOCK |
| 40 | P1711002 | FLANGE UNIT-1-1/4"-SAFL206-20 |
| 41 | P2515017 | PIVOT SHAFT BRACKET |
| 42 | P19159012 | FRONT HOPPER FLASHING |
| 43 | P19159020 | FX-HOPPER SIDE FLASHING |
| 44 | P19159023 | FX-15FL HOPPER SHORT FLASHING LH |
| 45 | P19159024 | FX-15FL HOPPER SHORT FLASHING RH |
| 46 | P20315003 | FX-15FL TRANSITION ROLLER |

SERIAL NO. 15-00518+

ITEM NO. 22, 24 AND MOTOR ARE NOT INCLUDED IN THE KIT

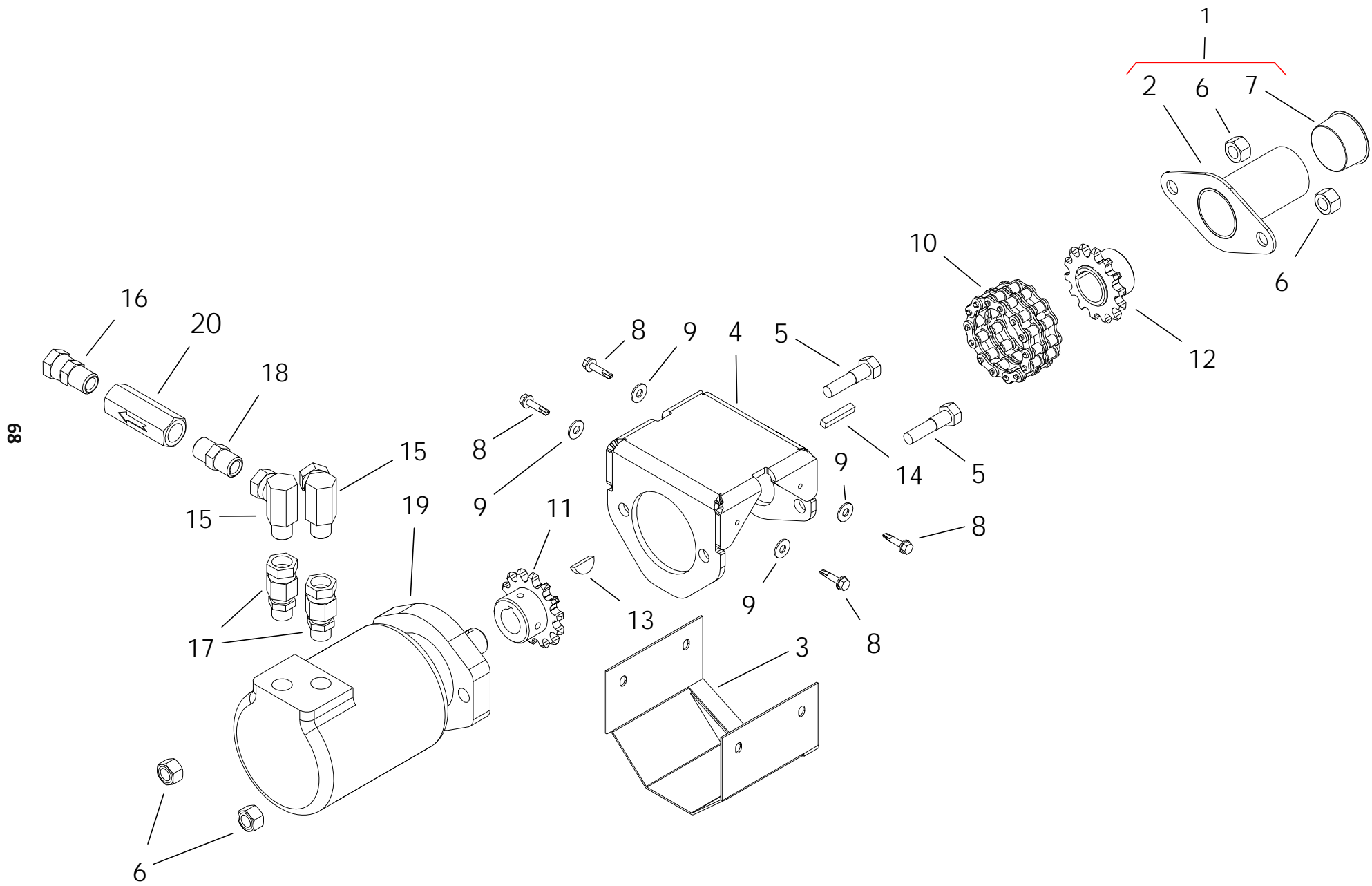
ELECTRIC DRIVE KIT (15000275)



ELECTRIC DRIVE KIT (15000275)

| ITEM | PART NO. | DESCRIPTION |
|------|----------|---------------------------------|
| | 15000275 | ELECTRIC DRIVE KIT |
| 1 | 1300035X | SHAFT GUARD FL-206 ASSY KIT |
| 2 | 13041038 | SHAFT GUARD(FL-206) |
| 3 | 15062405 | MOVER MOTOR MOUNT |
| 4 | 15062406 | MOTOR BELT IDLER |
| 5 | 15062407 | IDLER SPACER |
| 6 | 25013011 | PIT GUARD MOUNT |
| 7 | P0114006 | TAP BOLT 3/4 X 5 PLATED |
| 8 | P0118130 | BOLT 1/2" X 4" GR8 PLATED |
| 9 | P0115045 | BOLT 3/8" X 1-1/4" GR5 PLATED |
| 10 | P0115201 | BOLT FLANGE 1/2 X 2" PLATED F/T |
| 11 | P0115218 | BOLT FLANGE 1/2 X 1-1/2" PLATED |
| 12 | P0131019 | NUT 3/4" PLATED GRADE 8 |
| 13 | P0134026 | LOCKNUT-NYLON-3/8" GRADE 8 |
| 14 | P0134008 | LOCKNUT-NYLON-1/2" |
| 15 | P0134108 | LOCKNUT-TENSILOCK-1/2" |
| 16 | P0141002 | TEK SCREW 1/4"X1" |
| 17 | P0151006 | FLAT WASHER 1/4"PLATED USS |
| 18 | P0151009 | FLAT WASHER 3/8"PLATED USS |
| 19 | P0151029 | FLAT WASHER 1/2"PLATED USS |
| 20 | P0321102 | BELT B102 |
| 21 | P0328007 | PULLEY-DBL-B-12" W/1-1/4"BORE |
| 22 | P0328018 | PULLEY-DBL-BK-4"H |
| 23 | P0328910 | IDLER-FLAT-4"TRPL 2-7/16"WIDE |
| 24 | P0340320 | HUB-H 1-1/4" |
| 25 | P0391003 | KEY 1/4" X 1-1/2" LONG |
| 26 | P1210032 | FL-206 SHAFT GUARD PLUG |
| 27 | P1211803 | PIT GUARD |

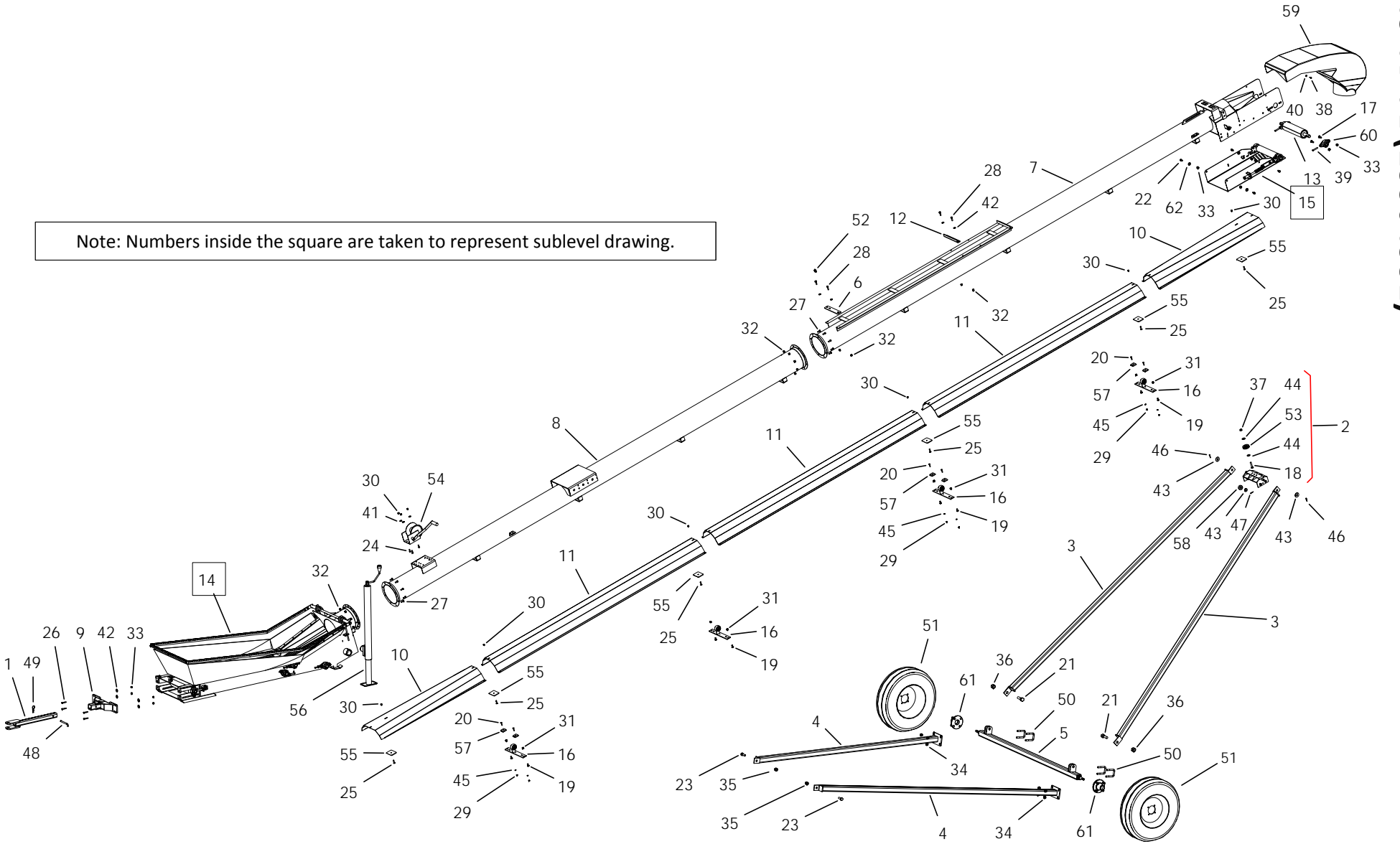
FX HYDRAULIC DRIVE KIT (15000285)



FX HYDRAULIC DRIVE KIT (15000285)

| ITEM | PART NO. | DESCRIPTION |
|------|----------|-------------------------------------|
| | 15000285 | HYDRAULIC DRIVE KIT |
| 1 | 1300035X | SHAFT GUARD FL-206 ASSY KIT |
| 2 | 13041038 | SHAFT GUARD(FL-206) |
| 3 | 15041040 | HYD COUPLER GUARD |
| 4 | 15062408 | HYD MOTOR MOUNT |
| 5 | P0118016 | BOLT 1/2" X 2" GR8 PLATED |
| 6 | P0134008 | LOCKNUT-NYLON-1/2" |
| 7 | P1210032 | FL-206 SHAFT GUARD PLUG |
| 8 | P0141002 | TEK SCREW 1/4"X1" |
| 9 | P0151006 | FLAT WASHER 1/4"PLATED USS |
| 10 | P0311001 | ROLLER CHAIN FOR DRIVE(50-2RX14+CL) |
| 11 | P0335140 | SPROCKET 5014 1.0(KEY0.25) |
| 12 | P0335141 | SPROCKET 5014 1.25(KEY0.25) |
| 13 | P0391001 | WOODRUFF KEY-(19224)1/4X1 |
| 14 | P0391003 | KEY 1/4" X 1-1/2" LONG |
| 15 | P0820001 | SWIVEL-1/2"90 DEGREE |
| 16 | P0821112 | SWIVEL-1/2" STRAIGHT |
| 17 | P0821114 | SWIVEL-10ORBX1/2"FS |
| 18 | P0821133 | HEX NIPPLE-1/2" |
| 19 | P0841019 | HYD MOTOR-6.2-2000-1" |
| 20 | P0861035 | CHECK VALVE-1/2" (NO HOLE) |

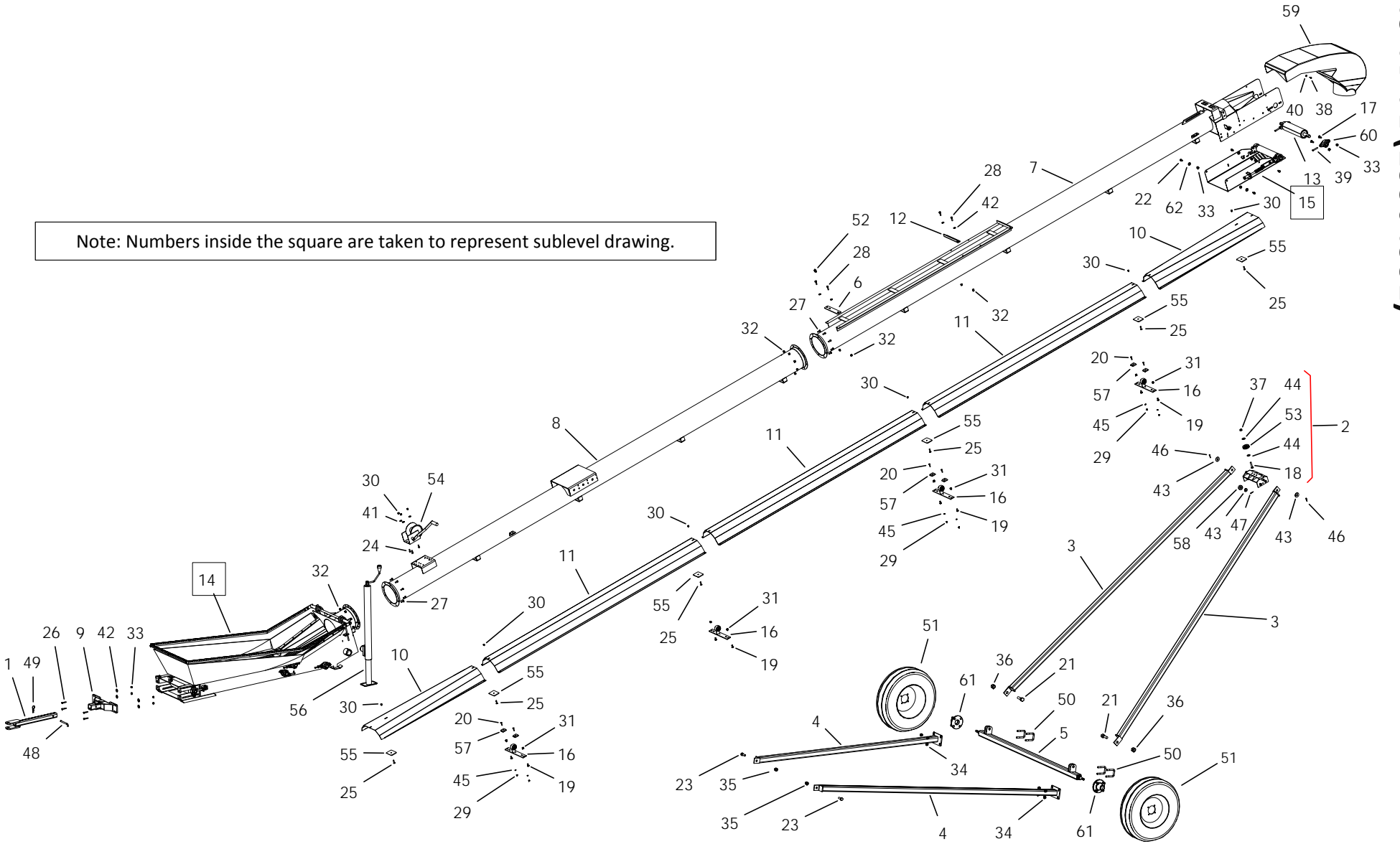
Note: Numbers inside the square are taken to represent sublevel drawing.



FX 1545 TD FL (15504531)

| ITEM | PART NO. | DESCRIPTION |
|------|-----------|-------------------------------------|
| 1 | 13030001 | STRAIGHT TONGUE |
| 2 | 13030042 | 13/15 TRACK SLIDER |
| 3 | 13030048 | UPRIGHT ARM 45FL |
| 4 | 13030102 | AXLE ARM 30/35TD/45-2-1/2" |
| 5 | 13030115 | AXLE 30-45-2-1/2" (WITH 8 LUGS) |
| 6 | 13032094 | 35/45 SMALL CABLE ATTACH |
| 7 | 15020117 | 45TD SPT SECT 20' W/RTRN MOUNT |
| 8 | 15020118 | 45TDFL UPPER CENTER 20' FX HOPPER |
| 9 | 15030007 | HITCH FL (ONE PC) |
| 10 | 15042102 | WEATHER GUARD 5' FLR - 61-1/2" |
| 11 | 15042121 | WEATHER GUARD 10' - 121-1/2" |
| 12 | 13032125 | BOLT ON ANGLE |
| 13 | 15070013 | SPOUT DRIVE ROLLER-1-1/4" LAGGED |
| 14 | 15100040 | FX-15FL HOPPER |
| 15 | 15597003 | FX - SPOUT PINCH RLLR KIT |
| 16 | 150100911 | WEATHER GUARD MOUNT BAR KIT-POLY |
| 17 | P0113001 | CARRIAGE BOLT 1/2"X2" PLATED |
| 18 | P0113009 | BOLT CARRIAGE 1/2"X2-3/4" GR5 |
| 19 | P0113013 | CARRIAGE BOLT 7/16"X1" PLATED |
| 20 | P0113020 | CARRIAGE BOLT 5/16"X1-1/2"PLATED |
| 21 | P0115004 | BOLT 1" X 3" GRADE 5 PLATED |
| 22 | P0118020 | BOLT 1/2" X 1-1/4" GR8 PLATED |
| 23 | P0115036 | BOLT 3/4" X 2" GRADE 5 PLATED |
| 24 | P0115046 | BOLT 3/8"X1" GRADE 5 PLATED |
| 25 | P0115303 | CAPSCREW 3/8X1-1/4FLT HD SOCKET PTD |
| 26 | P0118016 | BOLT 1/2" X 2" GR8 PLATED |
| 27 | P0118076 | BOLT 7/16"X1" GRADE 8 PLATED |
| 28 | P0118077 | BOLT 7/16"X1-1/2" GRADE 8 PLATED |
| 29 | P0131017 | NUT 5/16" PLATED GRADE 8 |
| 30 | P0134026 | LOCKNUT-NYLON-3/8" GRADE 8 |
| 31 | P0134007 | LOCKNUT-NYLON-7/16" |
| 32 | P0134007 | LOCKNUT-NYLON-7/16" |
| 33 | P0134008 | LOCKNUT-NYLON-1/2" |
| 34 | P0134010 | LOCKNUT-NYLON-5/8" |
| 35 | P0134012 | LOCKNUT-NYLON-3/4" |
| 36 | P0134016 | LOCKNUT-NYLON-1" |
| 37 | P0134108 | LOCKNUT-TENSILOCK-1/2" |
| 38 | P0141002 | TEK SCREW 1/4"X1" |
| 39 | P0145002 | SET SCREW-7/16"X2-1/2"SQ.HD. |
| 40 | P0151006 | FLAT WASHER 1/4"PLATED USS |
| 41 | P0151009 | FLAT WASHER 3/8"PLATED USS |
| 42 | P0151012 | FLAT WASHER 7/16"PLATED USS |
| 43 | P0151026 | FLAT WASHER 3/4"SAE |
| 44 | P0151029 | FLAT WASHER 1/2"PLATED USS |
| 45 | P0152010 | LOCK WASHER 5/16"PLATED |
| 46 | P0161001 | Cotter Pin 1/4 x 2 |

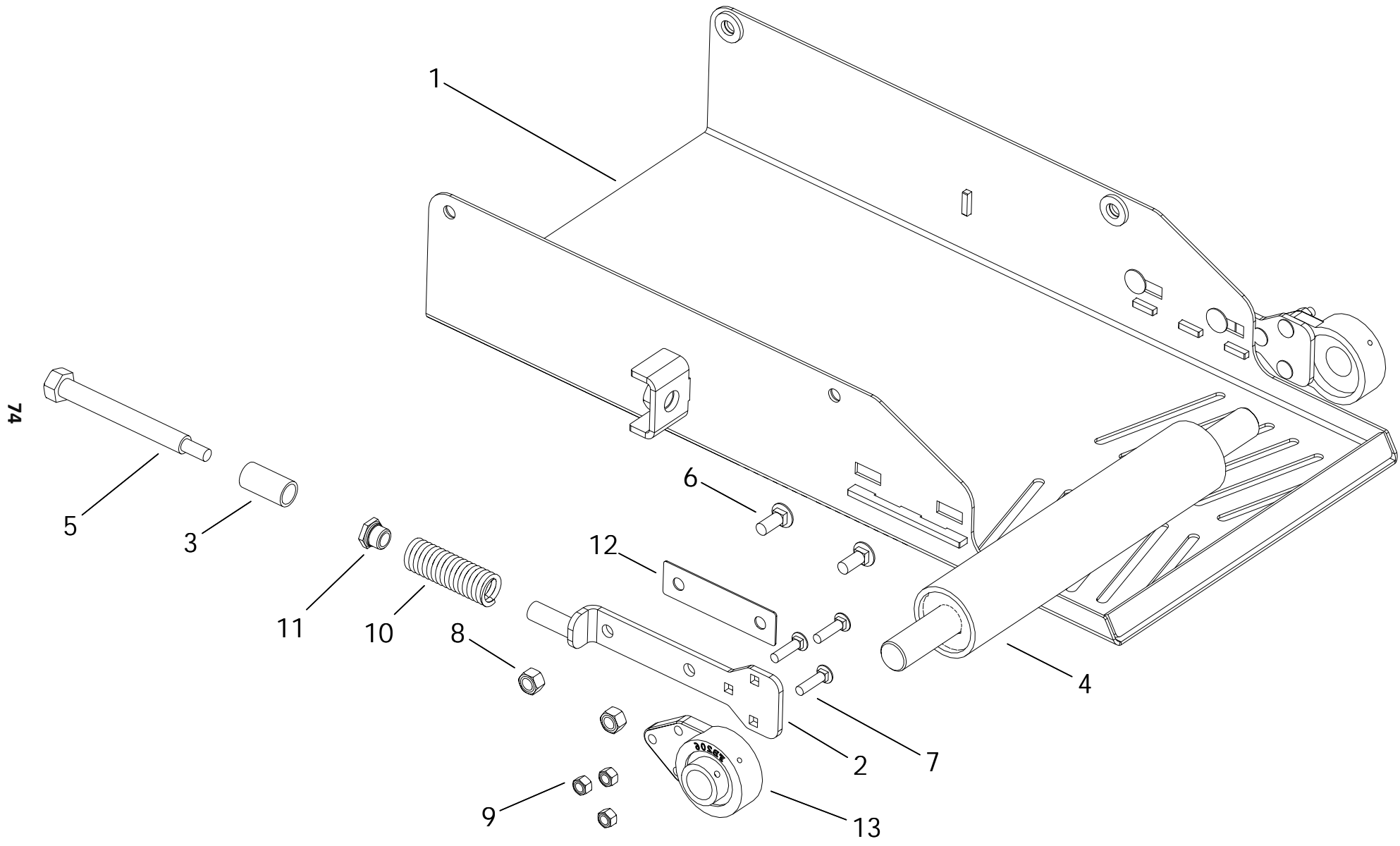
Note: Numbers inside the square are taken to represent sublevel drawing.



FX 1545 TD FL (15504531)

| ITEM | PART NO. | DESCRIPTION |
|------|-----------|-------------------------------------|
| 47 | P0161002 | COTTER PIN 5/32X1-1/2"PLATED |
| 48 | P0162001 | HITCH PIN 1/2" X 3" PLATED |
| 49 | P0163001 | HAIR PIN 3/16" X 3-1/4" |
| 50 | P0183003 | U-BOLT 2-1/2" X 2-1/2" (5/8) PLATED |
| 51 | P0614301 | TIRE ASSEMBLY-15"X4.5"X4BOLT |
| 52 | P0712105 | CABLE CLAMP-5/16" GALV. |
| 53 | P0713105 | CABLE SHEAVE-3" |
| 54 | P0714102 | WINCH-1500# BRAKE |
| 55 | P1010001 | UNI-MOUNT PLATE CAST |
| 56 | P1012009 | JACK-7000LB SQ.TUBE 25" EXT |
| 57 | P1210030 | BELT GUIDE BLOCK |
| 58 | P1211305 | ROLLER 2" NYLON |
| 59 | P1211501 | HOOD-ROUND 15 SERIES (KANBAN) |
| 60 | P1711002 | FLANGE UNIT-1-1/4"-SAFL206-20 |
| 61 | P0614102 | HUB-HA411 C/W BRGS-4 BOLT |
| 62 | P11150177 | FX PINCH MOUNT SPACER |

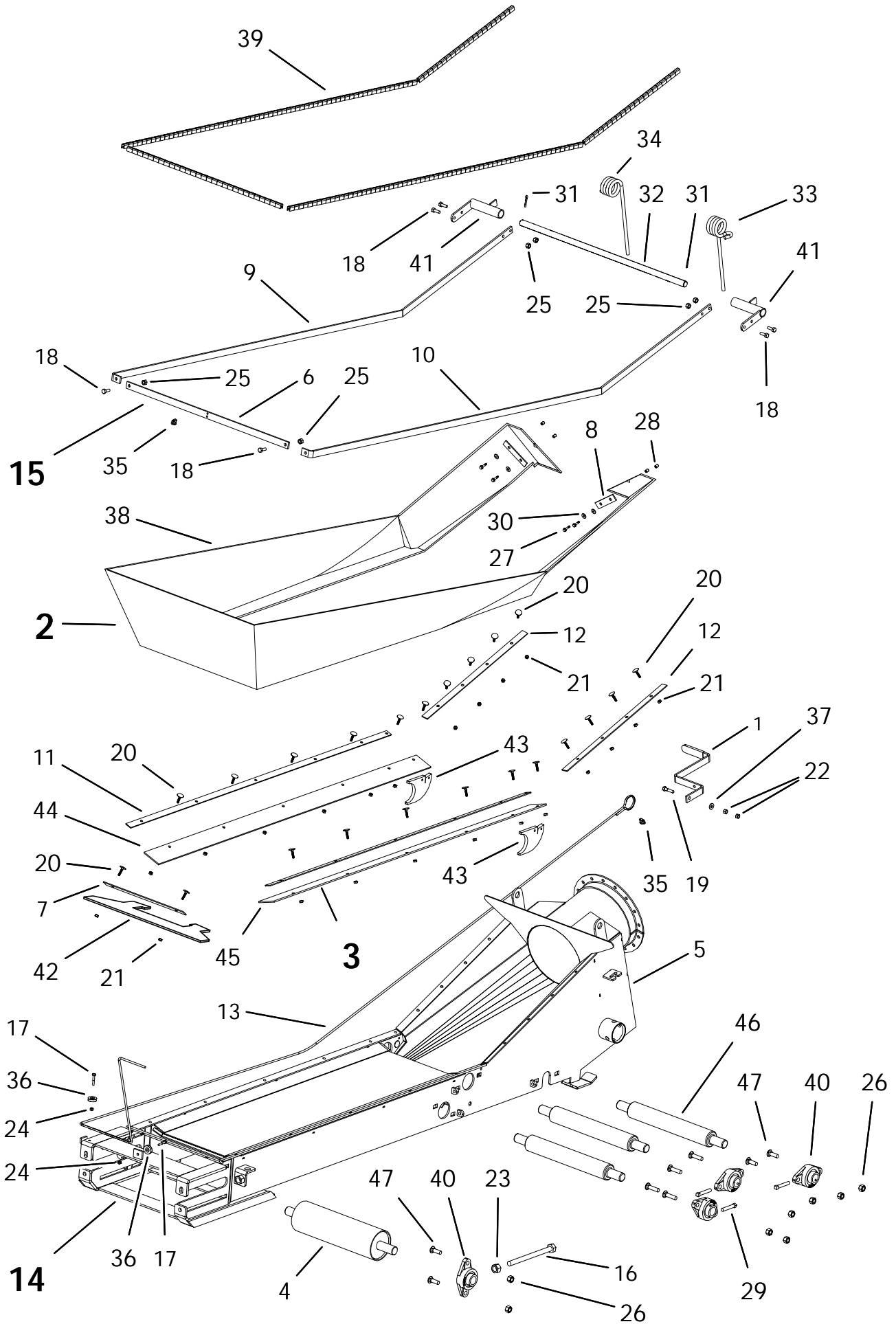
FX-SPOUT PINCH ROLLER KIT (15597003)



FX-SPOUT PINCH ROLLER KIT (15597003)

| ITEM | PART NO. | DESCRIPTION |
|------|----------|---------------------------------|
| 1 | 15061022 | FX - TD PINCH MOUNT |
| 2 | 15061024 | FX - PUSH BAR |
| 3 | 15062110 | TD PINCH PIPE |
| 4 | 15070032 | FX - PINCH ROLLER |
| 5 | P0113000 | SPRING TENSION BOLT |
| 6 | P0113004 | CARRIAGE BOLT 1/2"X1-1/2"PLATED |
| 7 | P0113015 | CARRIAGE BOLT 3/8"X1" PLATED |
| 8 | P0134008 | LOCKNUT-NYLON-1/2" |
| 9 | P0134106 | LOCKNUT-TENSILOCK-3/8" |
| 10 | P0511008 | SPRING-LD-1300 SERIES |
| 11 | P0820129 | BUSHING BRASS FLANGED |
| 12 | P1211023 | TD PINCH SLIDER PLATE |
| 13 | P1711010 | 3 BOLT FLANGE UNIT-1-1/4"-206 |

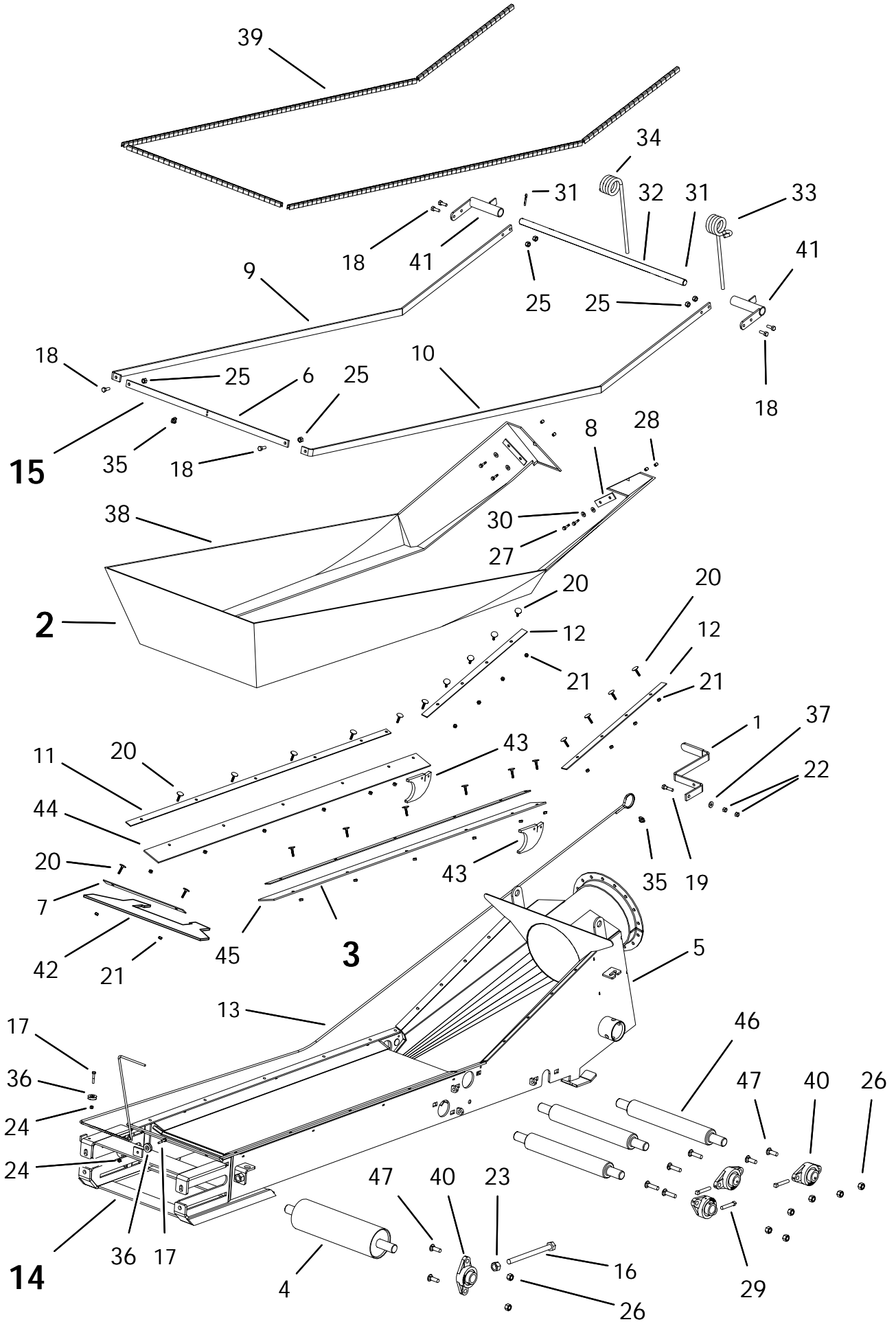
FX HOPPER (15100040)



FX HOPPER (15100040)

| ITEM | PART NO. | DESCRIPTION |
|------|-----------|------------------------------------|
| 1 | 13100008 | HOPPER HANDLE |
| 2 | 15000291 | FX HOPPER -COLLAPSABLE FL |
| 3 | 15000292 | FX-HOPPER -FLASHING ONLY FL |
| 4 | 15070012 | TAKE-UP ROLLER-1-1/4" LAGGED |
| 5 | 15100040 | FX-15FL HOPPER |
| 6 | 15102018 | UPPER CLOTH FRAME TR FRONT |
| 7 | 15102058 | LOWER CLOTH FRAME TR FRONT |
| 8 | 15102061 | LOWER CLOTH FRAME TR BACK |
| 9 | 15102184 | 15FL UPPER CLOTH FRAME RIGHT FX |
| 10 | 15102185 | 15FL UPPER CLOTH FRAME LEFT FX |
| 11 | 15102189 | 15FL LOWER CLOTH FRAME SIDE |
| 12 | 15102190 | 15FL LOWER CLOTH FRAME TRANS |
| 13 | 15103229 | CABLE 1/8" 7X19 GAC (18') |
| 14 | 15555545 | FX-15 HOPPER RLLER KIT -FL |
| 15 | 15100121 | HOPPER CLOTH FRAME-UPPER KIT FX |
| 16 | P0114010 | TAP BOLT 3/4 X 9 UNC GR.5 PLATED |
| 17 | P0115026 | BOLT 1/4" X 1-1/2" GR5 PLATED |
| 18 | P0115046 | BOLT 3/8"X1" GRADE 5 PLATED |
| 19 | P0115047 | BOLT 3/8"X1-1/2" GRADE 5 PLATED |
| 20 | P0116001 | ELEVATOR BOLT 1/4"X1-1/4" |
| 21 | P0131016 | NUT 1/4" PLATED GRADE 8 |
| 22 | P0131006 | NUT 3/8" PLATED |
| 23 | P0131112 | NUT 3/4"PLATED |
| 24 | P0134004 | LOCKNUT-NYLON-1/4" |
| 25 | P0134026 | LOCKNUT-NYLON-3/8" GRADE 8 |
| 26 | P0134008 | LOCKNUT-NYLON-1/2" |
| 27 | P0141002 | TEK SCREW 1/4"X1" |
| 28 | P0145001 | VINYL SCREW CAP |
| 29 | P0145004 | SET SCREW-7/16"X1-1/2"SQ.HD.PLATED |
| 30 | P0151006 | FLAT WASHER 1/4"PLATED USS |
| 31 | P0161003 | COTTER PIN 3/16"X1-1/2"PLATED |
| 32 | P0162007 | HOPPER PIVOT SHAFT-13/15 |
| 33 | P0521005 | HOPPER SPRING-L-.437 |
| 34 | P0521006 | HOPPER SPRING-R-.437 |
| 35 | P0712104 | CABLE CLAMP-1/8" GALV. |
| 36 | P0713104 | CABLE SHEAVE-1-1/4" W/BEARING |
| 37 | P1210010 | Washer Nylon 3/8 USS |
| 38 | P1621024 | HOPPER CANVAS FX15FL |
| 39 | P1641015 | TRIM LOCK |
| 40 | P1711002 | FLANGE UNIT-1-1/4"-SAFL206-20 |
| 41 | P2515017 | PIVOT SHAFT BRACKET |
| 42 | P19159012 | FRONT HOPPER FLASHING |
| 43 | P19159020 | FX-HOPPER SIDE FLASHING |
| 44 | P19159021 | FX-15FL HOPPER FLASHING LH |
| 45 | P19159022 | FX-15FL HOPPER FLASHING RH |
| 46 | P20315003 | FX-15FL TRANSITION ROLLER |

FX HOPPER (15100040)



FX HOPPER (15100040)

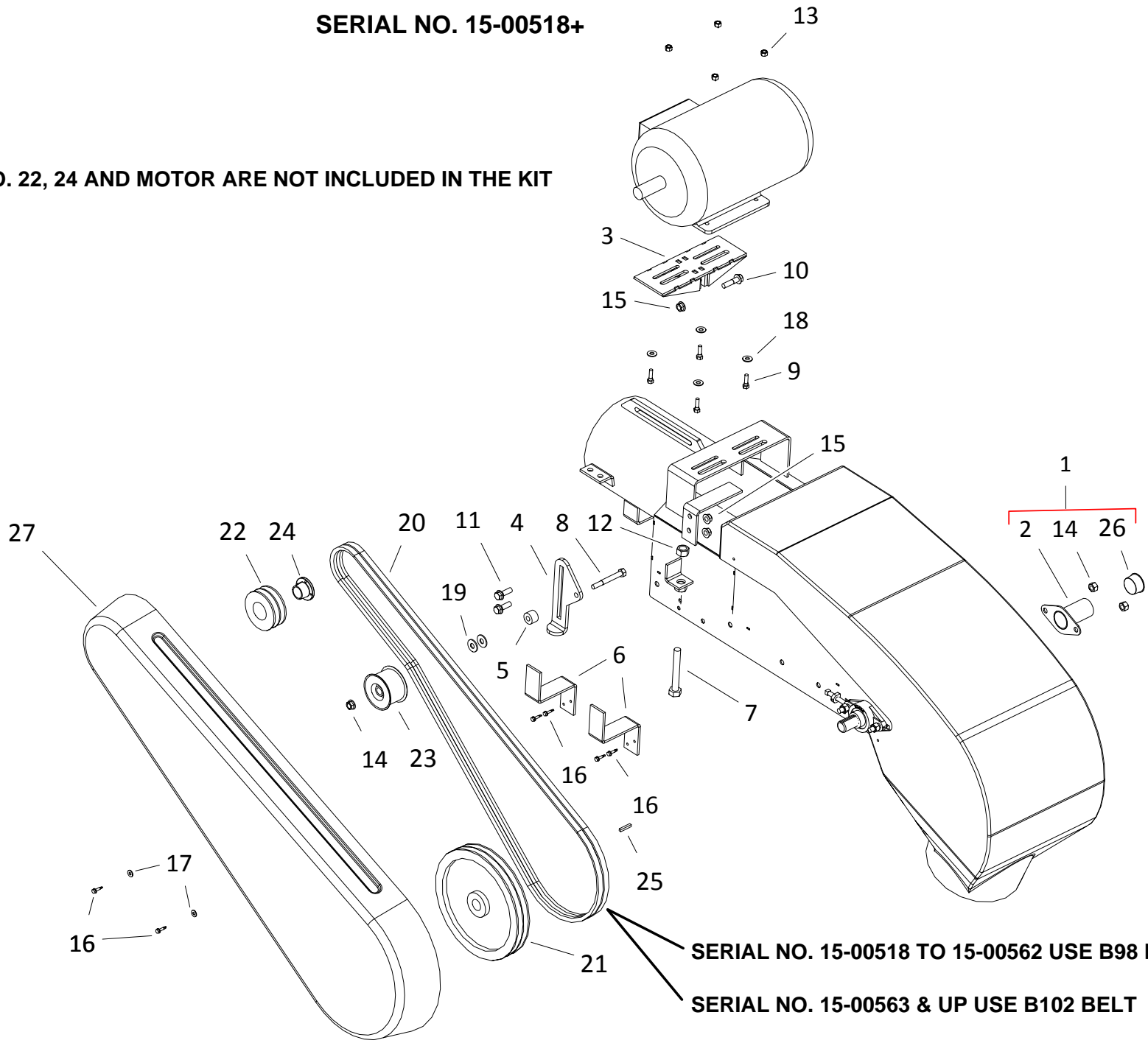
| ITEM | PART NO. | DESCRIPTION |
|------|----------|---------------------------------|
| 47 | P0113004 | CARRIAGE BOLT 1/2"X1-1/2"PLATED |

SERIAL NO. 15-00518+

ITEM NO. 22, 24 AND MOTOR ARE NOT INCLUDED IN THE KIT

ELECTRIC DRIVE KIT (15000275)

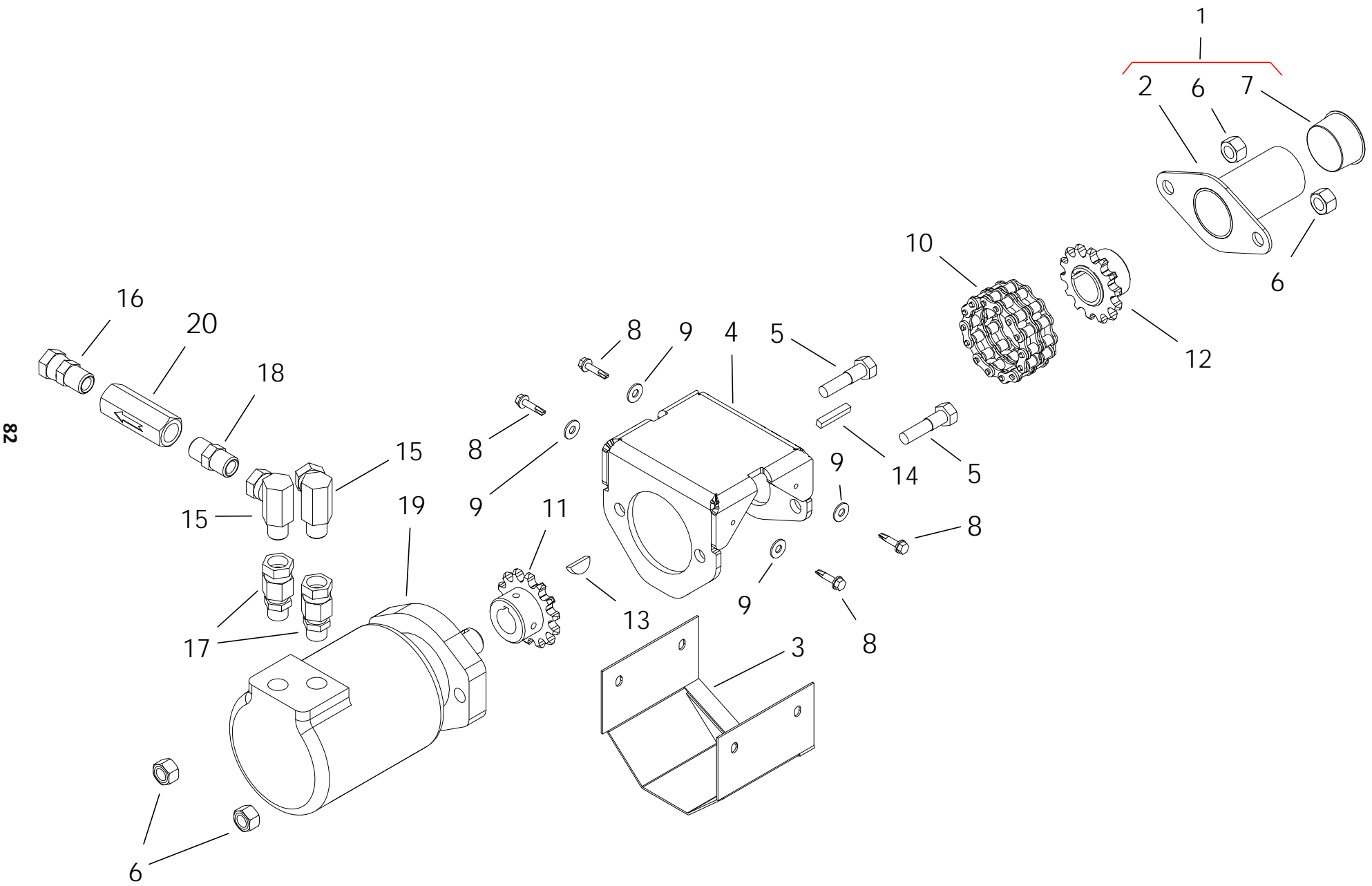
80



ELECTRIC DRIVE KIT (15000275)

| ITEM | PART NO. | DESCRIPTION |
|------|----------|---------------------------------|
| | 15000275 | ELECTRIC DRIVE KIT |
| 1 | 1300035X | SHAFT GUARD FL-206 ASSY KIT |
| 2 | 13041038 | SHAFT GUARD(FL-206) |
| 3 | 15062405 | MOVER MOTOR MOUNT |
| 4 | 15062406 | MOTOR BELT IDLER |
| 5 | 15062407 | IDLER SPACER |
| 6 | 25013011 | PIT GUARD MOUNT |
| 7 | P0114006 | TAP BOLT 3/4 X 5 PLATED |
| 8 | P0118130 | BOLT 1/2" X 4" GR8 PLATED |
| 9 | P0115045 | BOLT 3/8" X 1-1/4" GR5 PLATED |
| 10 | P0115201 | BOLT FLANGE 1/2 X 2" PLATED F/T |
| 11 | P0115218 | BOLT FLANGE 1/2 X 1-1/2" PLATED |
| 12 | P0131019 | NUT 3/4" PLATED GRADE 8 |
| 13 | P0134026 | LOCKNUT-NYLON-3/8" GRADE 8 |
| 14 | P0134008 | LOCKNUT-NYLON-1/2" |
| 15 | P0134108 | LOCKNUT-TENSILOCK-1/2" |
| 16 | P0141002 | TEK SCREW 1/4"X1" |
| 17 | P0151006 | FLAT WASHER 1/4"PLATED USS |
| 18 | P0151009 | FLAT WASHER 3/8"PLATED USS |
| 19 | P0151029 | FLAT WASHER 1/2"PLATED USS |
| 20 | P0321102 | BELT B102 |
| 21 | P0328007 | PULLEY-DBL-B-12" W/1-1/4"BORE |
| 22 | P0328018 | PULLEY-DBL-BK-4"H |
| 23 | P0328910 | IDLER-FLAT-4"TRPL 2-7/16"WIDE |
| 24 | P0340320 | HUB-H 1-1/4" |
| 25 | P0391003 | KEY 1/4" X 1-1/2" LONG |
| 26 | P1210032 | FL-206 SHAFT GUARD PLUG |
| 27 | P1211803 | PIT GUARD |

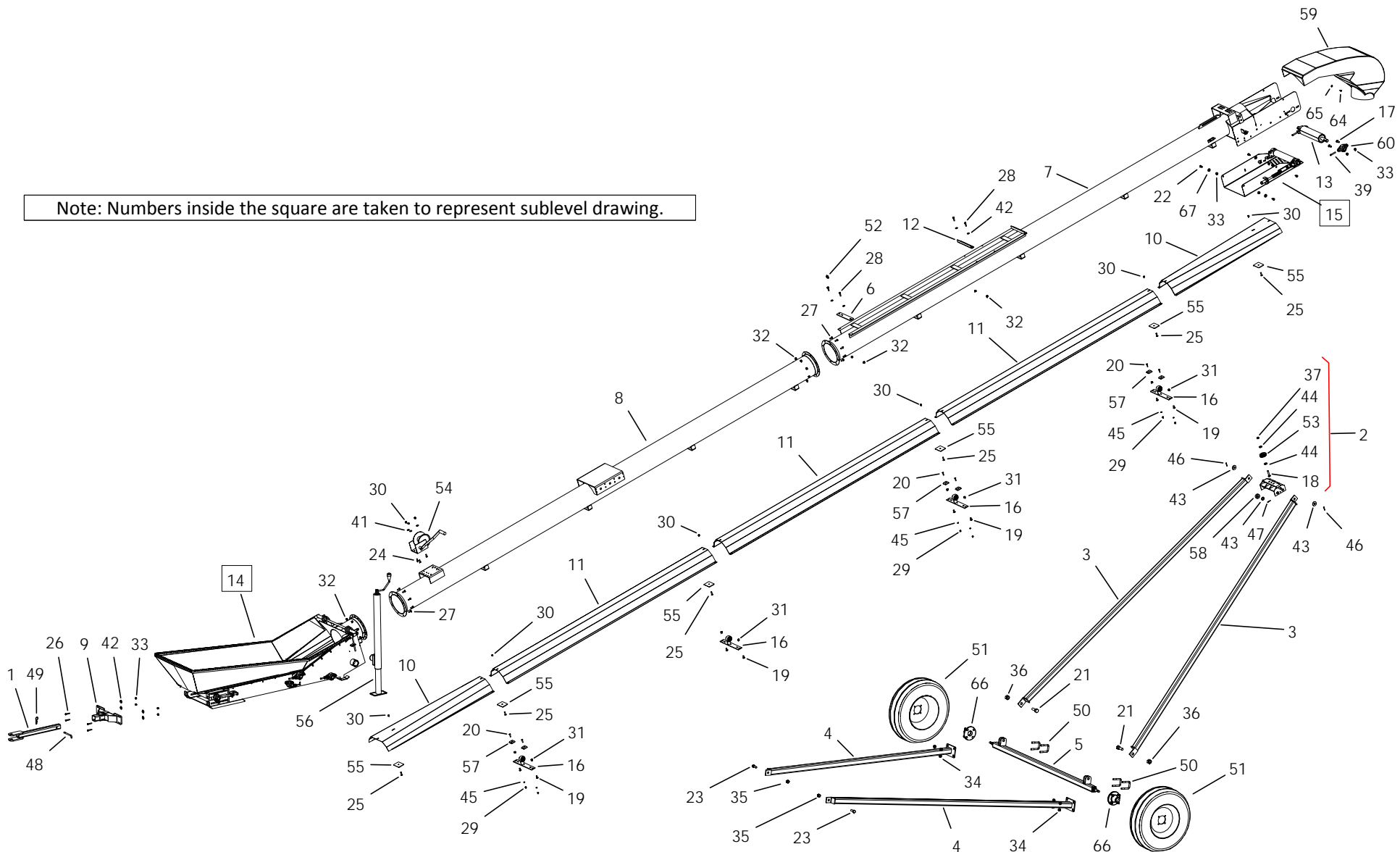
FX HYDRAULIC DRIVE KIT (15000285)



FX HYDRAULIC DRIVE KIT (15000285)

| ITEM | PART NO. | DESCRIPTION |
|------|----------|-------------------------------------|
| | 15000285 | HYDRAULIC DRIVE KIT |
| 1 | 1300035X | SHAFT GUARD FL-206 ASSY KIT |
| 2 | 13041038 | SHAFT GUARD(FL-206) |
| 3 | 15041040 | HYD COUPLER GUARD |
| 4 | 15062408 | HYD MOTOR MOUNT |
| 5 | P0118016 | BOLT 1/2" X 2" GR8 PLATED |
| 6 | P0134008 | LOCKNUT-NYLON-1/2" |
| 7 | P1210032 | FL-206 SHAFT GUARD PLUG |
| 8 | P0141002 | TEK SCREW 1/4"X1" |
| 9 | P0151006 | FLAT WASHER 1/4"PLATED USS |
| 10 | P0311001 | ROLLER CHAIN FOR DRIVE(50-2RX14+CL) |
| 11 | P0335140 | SPROCKET 5014 1.0(KEY0.25) |
| 12 | P0335141 | SPROCKET 5014 1.25(KEY0.25) |
| 13 | P0391001 | WOODRUFF KEY-(19224)1/4X1 |
| 14 | P0391003 | KEY 1/4" X 1-1/2" LONG |
| 15 | P0820001 | SWIVEL-1/2"90 DEGREE |
| 16 | P0821112 | SWIVEL-1/2" STRAIGHT |
| 17 | P0821114 | SWIVEL-10ORBX1/2"FS |
| 18 | P0821133 | HEX NIPPLE-1/2" |
| 19 | P0841019 | HYD MOTOR-6.2-2000-1" |
| 20 | P0861035 | CHECK VALVE-1/2" (NO HOLE) |

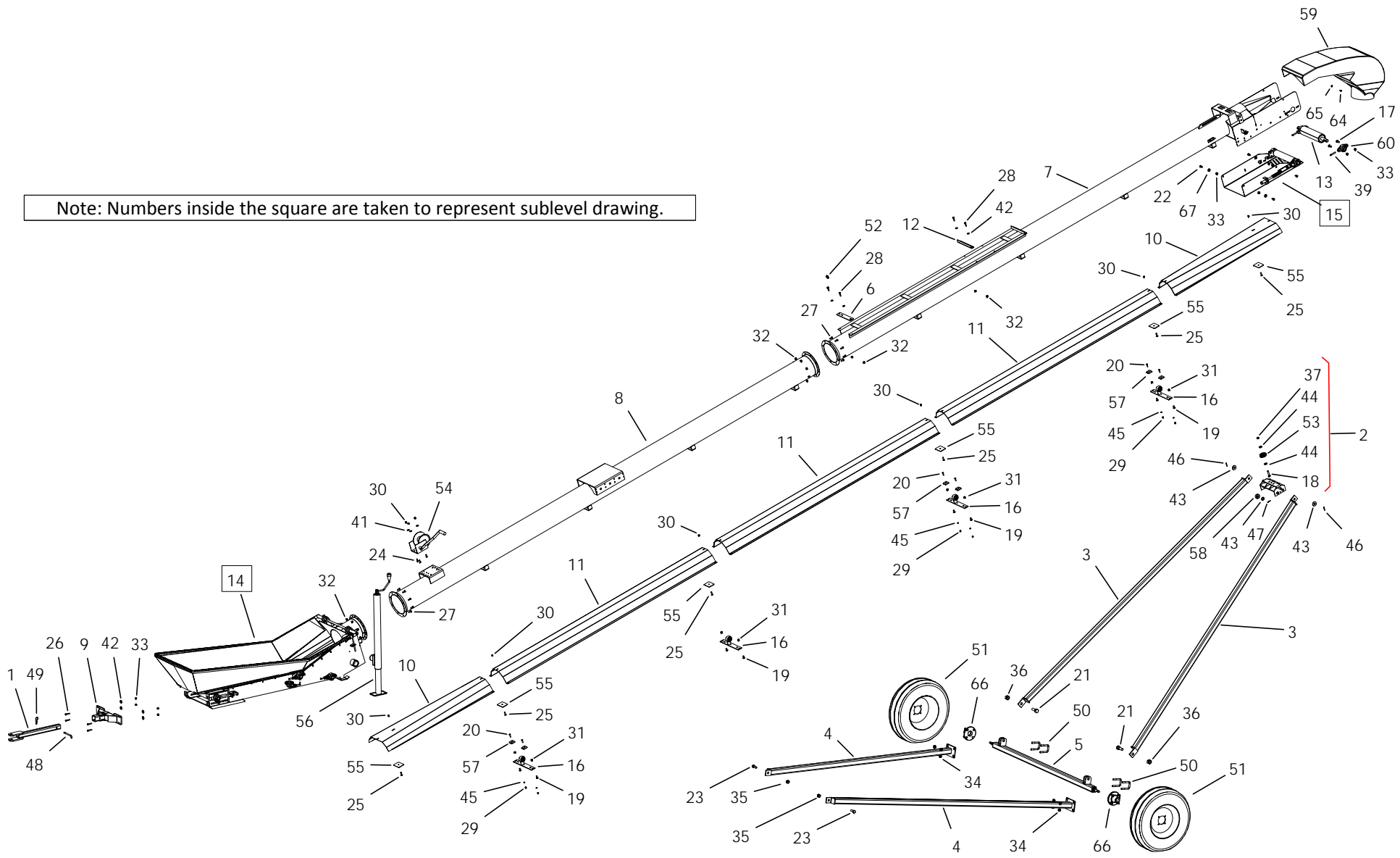
Note: Numbers inside the square are taken to represent sublevel drawing.



FX 1545 TD FL-SHORT (15504533)

| ITEM | PART NO. | DESCRIPTION |
|------|-----------|-------------------------------------|
| 1 | 13030001 | STRAIGHT TONGUE |
| 2 | 13030042 | 13/15 TRACK SLIDER |
| 3 | 13030048 | UPRIGHT ARM 45FL |
| 4 | 13030102 | AXLE ARM 30/35TD/45-2-1/2" |
| 5 | 13030115 | AXLE 30-45-2-1/2" (WITH 8 LUGS) |
| 6 | 13032094 | 35/45 SMALL CABLE ATTACH |
| 7 | 15020117 | 45TD SPT SECT 20' W/RTRN MOUNT |
| 8 | 15020108 | 45TDFL UPPER CENTER 20' MID TRUSS |
| 9 | 15030007 | HITCH FL (ONE PC) |
| 10 | 15042102 | WEATHER GUARD 5' FLR - 61-1/2" |
| 11 | 15042121 | WEATHER GUARD 10' - 121-1/2" |
| 12 | 13032125 | BOLT ON ANGLE |
| 13 | 15070013 | SPOUT DRIVE ROLLER-1-1/4" LAGGED |
| 14 | 15555546 | FX-15 SHORT HOPPER RLLER KIT -FL |
| 15 | 15597003 | FX - SPOUT PINCH RLLR KIT |
| 16 | 150100911 | WEATHER GUARD MOUNT BAR KIT-POLY |
| 17 | P0113001 | CARRIAGE BOLT 1/2"X2" PLATED |
| 18 | P0113009 | BOLT CARRIAGE 1/2"X2-3/4" GR5 |
| 19 | P0113013 | CARRIAGE BOLT 7/16"X1" PLATED |
| 20 | P0113020 | CARRIAGE BOLT 5/16"X1-1/2"PLATED |
| 21 | P0115004 | BOLT 1" X 3" GRADE 5 PLATED |
| 22 | P0118020 | BOLT 1/2" X 1-1/4" GR8 PLATED |
| 23 | P0115036 | BOLT 3/4" X 2" GRADE 5 PLATED |
| 24 | P0115046 | BOLT 3/8"X1" GRADE 5 PLATED |
| 25 | P0115303 | CAPSCREW 3/8X1-1/4FLT HD SOCKET PTD |
| 26 | P0118016 | BOLT 1/2" X 2" GR8 PLATED |
| 27 | P0118076 | BOLT 7/16"X1" GRADE 8 PLATED |
| 28 | P0118077 | BOLT 7/16"X1-1/2" GRADE 8 PLATED |
| 29 | P0131017 | NUT 5/16" PLATED GRADE 8 |
| 30 | P0134026 | LOCKNUT-NYLON-3/8" GRADE 8 |
| 31 | P0134007 | LOCKNUT-NYLON-7/16" |
| 32 | P0134007 | LOCKNUT-NYLON-7/16" |
| 33 | P0134008 | LOCKNUT-NYLON-1/2" |
| 34 | P0134010 | LOCKNUT-NYLON-5/8" |
| 35 | P0134012 | LOCKNUT-NYLON-3/4" |
| 36 | P0134016 | LOCKNUT-NYLON-1" |
| 37 | P0134108 | LOCKNUT-TENSILOCK-1/2" |
| 39 | P0145002 | SET SCREW-7/16"X2-1/2"SQ.HD. |
| 41 | P0151009 | FLAT WASHER 3/8"PLATED USS |
| 42 | P0151012 | FLAT WASHER 7/16"PLATED USS |
| 43 | P0151026 | FLAT WASHER 3/4"SAE |
| 44 | P0151029 | FLAT WASHER 1/2"PLATED USS |
| 45 | P0152010 | LOCK WASHER 5/16"PLATED |
| 46 | P0161001 | Cotter Pin 1/4 x 2 |
| 47 | P0161002 | COTTER PIN 5/32X1-1/2"PLATED |
| 48 | P0162001 | HITCH PIN 1/2" X 3" PLATED |

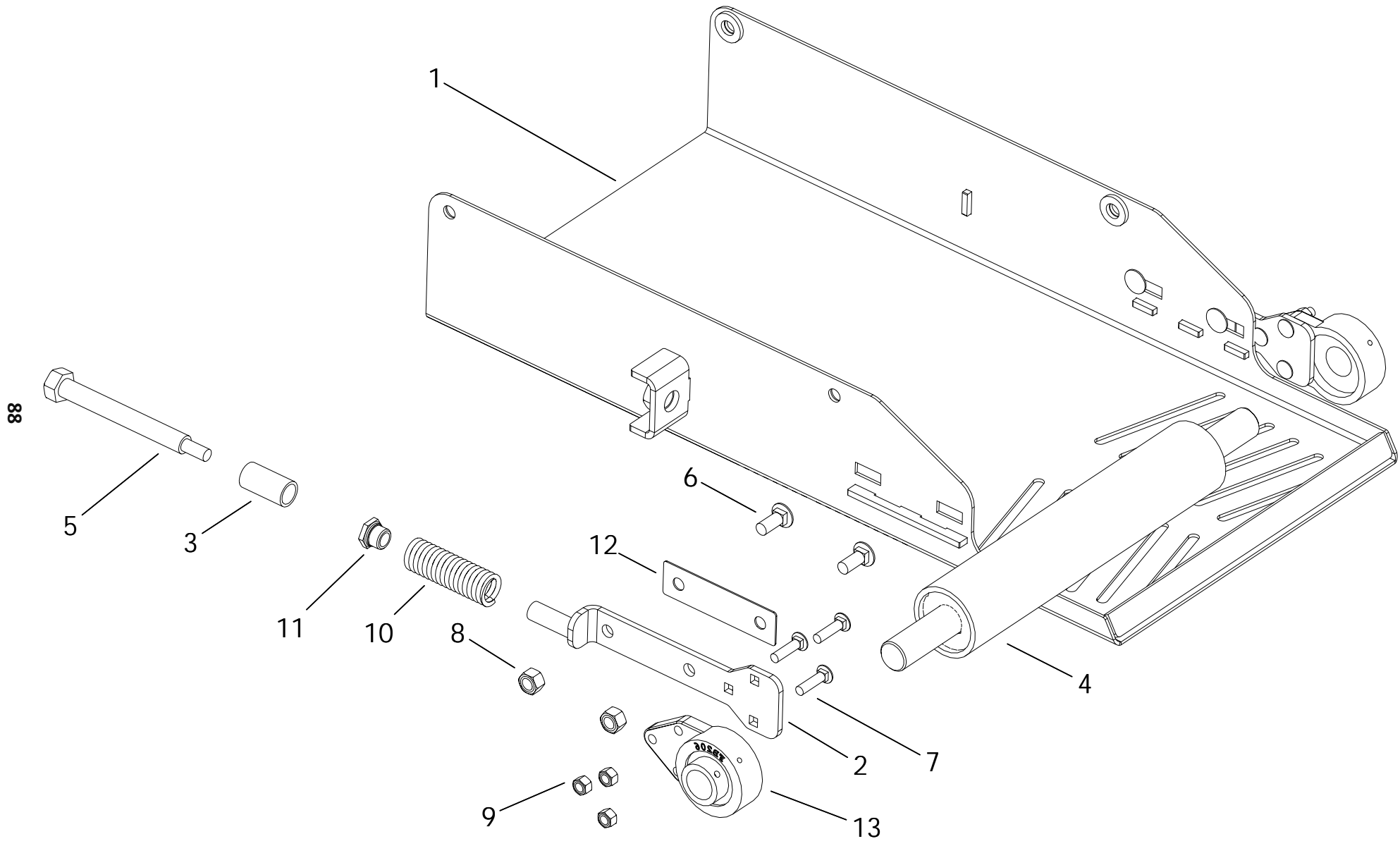
Note: Numbers inside the square are taken to represent sublevel drawing.



FX 1545 TD FL-SHORT (15504533)

| ITEM | PART NO. | DESCRIPTION |
|------|-----------|-------------------------------------|
| 49 | P0163001 | HAIR PIN 3/16" X 3-1/4" |
| 50 | P0183003 | U-BOLT 2-1/2" X 2-1/2" (5/8) PLATED |
| 51 | P0614301 | TIRE ASSEMBLY-15"X4.5"X4BOLT |
| 52 | P0712105 | CABLE CLAMP-5/16" GALV. |
| 53 | P0713105 | CABLE SHEAVE-3" |
| 54 | P0714103 | WINCH-2500# BRAKE |
| 55 | P1010001 | UNI-MOUNT PLATE CAST |
| 56 | P1012009 | JACK-7000LB SQ.TUBE 25" EXT |
| 57 | P1210030 | BELT GUIDE BLOCK |
| 58 | P1211305 | ROLLER 2" NYLON |
| 59 | P1211501 | HOOD-ROUND 15 SERIES (KANBAN) |
| 60 | P1711002 | FLANGE UNIT-1-1/4"-SAFL206-20 |
| 61 | P1243001 | CABLE TIE 14" 120 LB |
| 62 | P2227989 | MANUAL HOLDER AND LID |
| 63 | 15570459 | FX1545FLTD SHORT 100' |
| 64 | P0141002 | TEK SCREW 1/4"X1" |
| 65 | P0151006 | FLAT WASHER 1/4"PLATED USS |
| 66 | P0614102 | HUB-HA411 C/W BRGS-4 BOLT |
| 67 | P11150177 | FX PINCH MOUNT SPACER |

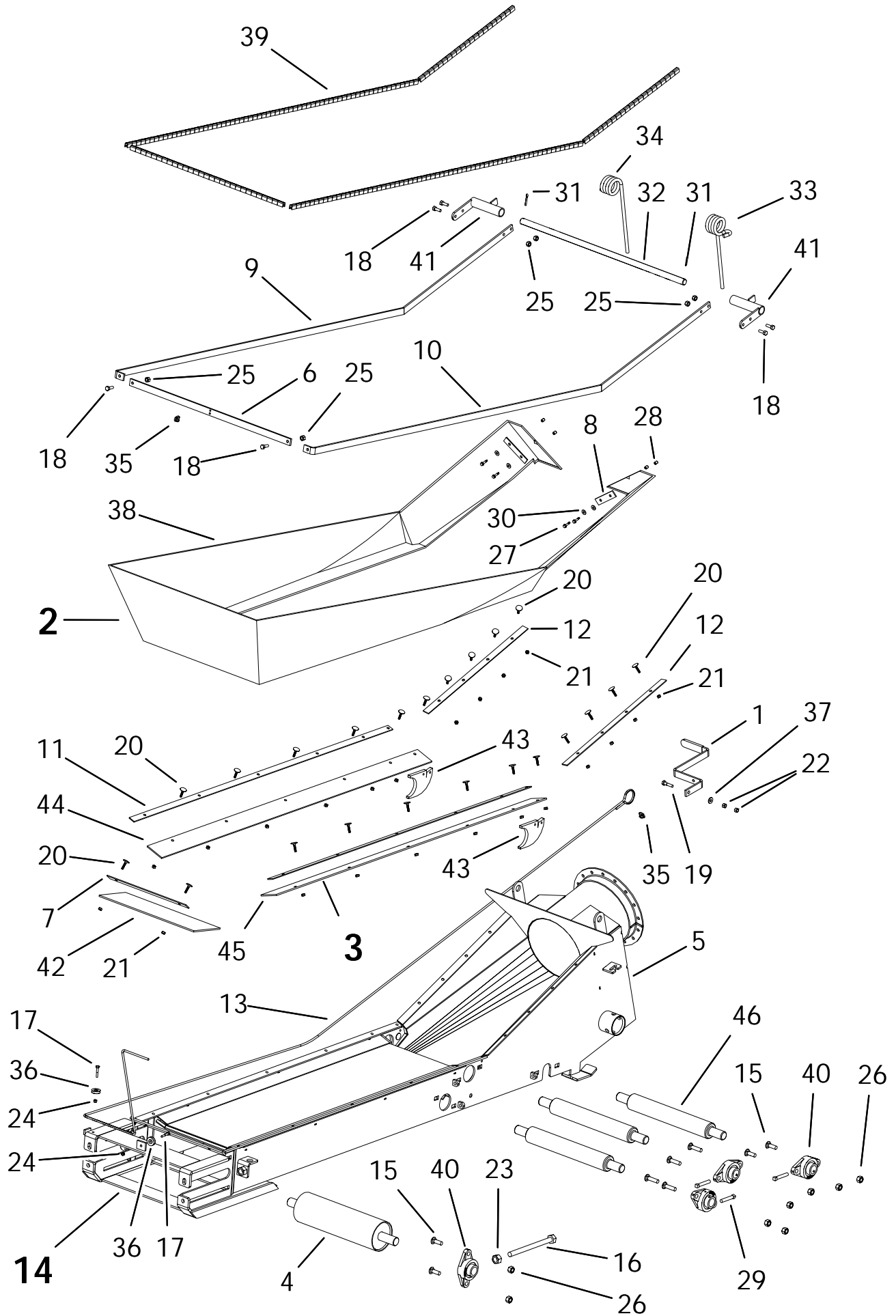
FX-SPOUT PINCH ROLLER KIT (15597003)



FX-SPOUT PINCH ROLLER KIT (15597003)

| ITEM | PART NO. | DESCRIPTION |
|------|----------|---------------------------------|
| 1 | 15061022 | FX - TD PINCH MOUNT |
| 2 | 15061024 | FX - PUSH BAR |
| 3 | 15062110 | TD PINCH PIPE |
| 4 | 15070032 | FX - PINCH ROLLER |
| 5 | P0113000 | SPRING TENSION BOLT |
| 6 | P0113004 | CARRIAGE BOLT 1/2"X1-1/2"PLATED |
| 7 | P0113015 | CARRIAGE BOLT 3/8"X1" PLATED |
| 8 | P0134008 | LOCKNUT-NYLON-1/2" |
| 9 | P0134106 | LOCKNUT-TENSILOCK-3/8" |
| 10 | P0511008 | SPRING-LD-1300 SERIES |
| 11 | P0820129 | BUSHING BRASS FLANGED |
| 12 | P1211023 | TD PINCH SLIDER PLATE |
| 13 | P1711010 | 3 BOLT FLANGE UNIT-1-1/4"-206 |

FX SHORT HOPPER

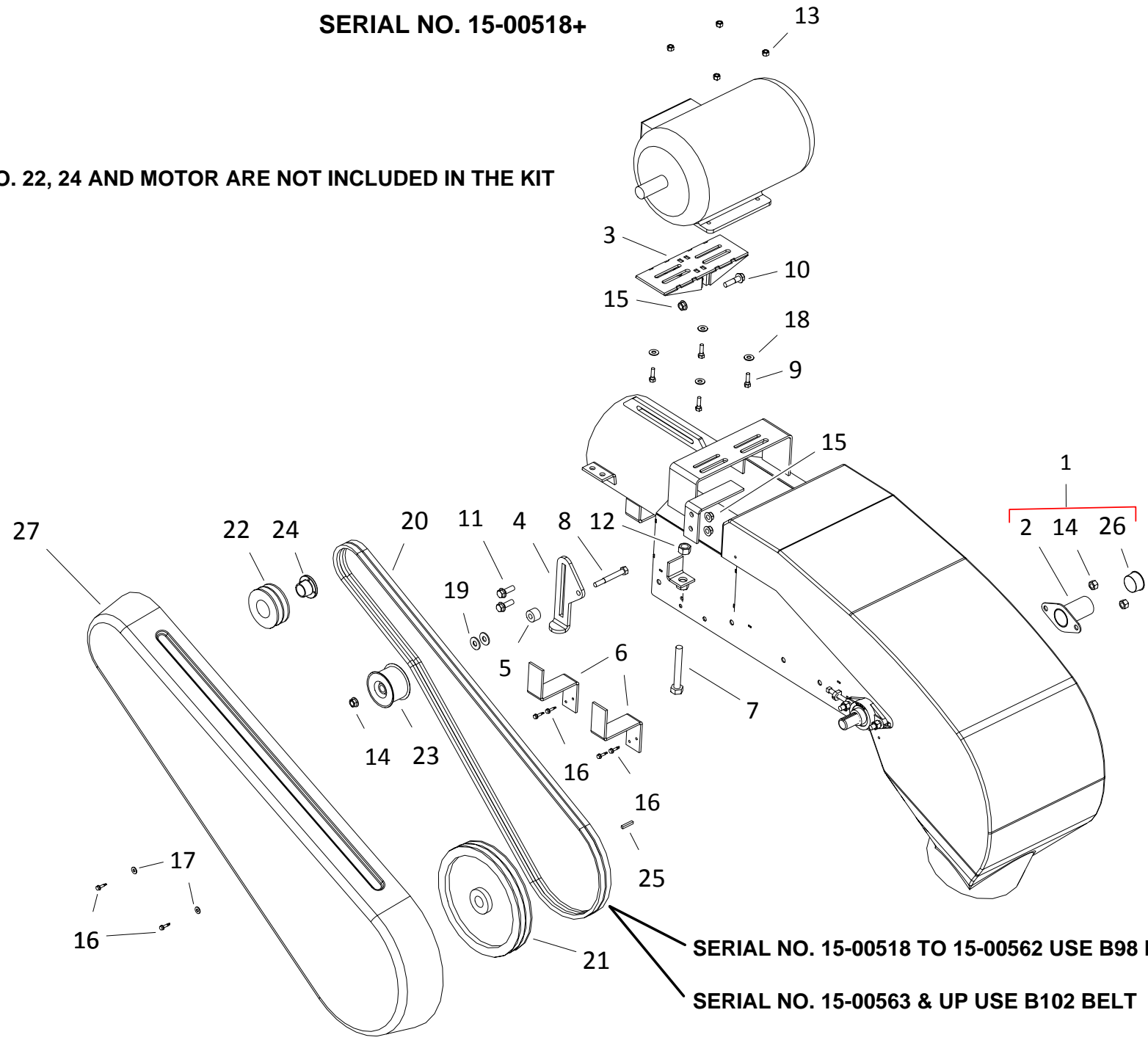


FX SHORT HOPPER

| ITEM | PART NO. | DESCRIPTION |
|------|-----------|------------------------------------|
| 1 | 13100008 | HOPPER HANDLE |
| 2 | 1555572X | FX HOPPER -COLLAPSABLE FL - SHORT |
| 3 | 1555596X | FX-HOPPER-SHORT FLASHING ONLY |
| 4 | 15070012 | TAKE-UP ROLLER-1-1/4" LAGGED |
| 5 | 15100041 | FX-15FL HOPPER-SHORT |
| 6 | 15102018 | UPPER CLOTH FRAME TR FRONT |
| 7 | 15102058 | LOWER CLOTH FRAME TR FRONT |
| 8 | 15102061 | LOWER CLOTH FRAME TR BACK |
| 9 | 15102196 | FX-15FL SHORT UPPER FRAME RH |
| 10 | 15102195 | FX-15FL SHORT UPPER FRAME LH |
| 11 | 15102197 | FX-15FL LOWER SHORT FRAME SIDE |
| 12 | 15102190 | 15FL LOWER CLOTH FRAME TRANS |
| 13 | 15103228 | CABLE 1/8" 7X19 GAC (13') |
| 14 | 15555546 | FX-15 SHORT HOPPER RLLER KIT -FL |
| 15 | P0113004 | CARRIAGE BOLT 1/2"X1-1/2"PLATED |
| 16 | P0114010 | TAP BOLT 3/4 X 9 UNC GR.5 PLATED |
| 17 | P0118026 | BOLT 1/4" X 1-1/2" GR8 PLATED |
| 18 | P0118046 | BOLT 3/8" X 1" GR8 PLATED |
| 19 | P0115113 | BOLT 3/8" X 1-1/2" GR8 PLATED |
| 20 | P0116001 | ELEVATOR BOLT 1/4"X1-1/4" |
| 21 | P0131016 | NUT 1/4" PLATED GRADE 8 |
| 22 | P0131018 | NUT 3/8" PLATED GRADE 8 |
| 23 | P0131019 | NUT 3/4" PLATED GRADE 8 |
| 24 | P0134023 | LOCKNUT-NYLON-1/4" GR8 |
| 25 | P0134026 | LOCKNUT-NYLON-3/8" GRADE 8 |
| 26 | P0134008 | LOCKNUT-NYLON-1/2" |
| 27 | P0141002 | TEK SCREW 1/4"X1" |
| 28 | P0145001 | VINYL SCREW CAP |
| 29 | P0145004 | SET SCREW-7/16"X1-1/2"SQ.HD.PLATED |
| 30 | P0151006 | FLAT WASHER 1/4"PLATED USS |
| 31 | P0161003 | COTTER PIN 3/16"X1-1/2"PLATED |
| 32 | P0162007 | HOPPER PIVOT SHAFT-13/15 |
| 33 | P0521001 | HOPPER SPRING-L |
| 34 | P0521002 | HOPPER SPRING-R |
| 35 | P0712104 | CABLE CLAMP-1/8" GALV. |
| 36 | P0713104 | CABLE SHEAVE-1-1/4" W/BEARING |
| 37 | P1210010 | Washer Nylon 3/8 USS |
| 38 | P1621025 | HOPPER CANVAS SHORT FX15FL |
| 39 | P1641015 | TRIM LOCK |
| 40 | P1711002 | FLANGE UNIT-1-1/4"-SAFL206-20 |
| 41 | P2515017 | PIVOT SHAFT BRACKET |
| 42 | P19159012 | FRONT HOPPER FLASHING |
| 43 | P19159020 | FX-HOPPER SIDE FLASHING |
| 44 | P19159023 | FX-15FL HOPPER SHORT FLASHING LH |
| 45 | P19159024 | FX-15FL HOPPER SHORT FLASHING RH |
| 46 | P20315003 | FX-15FL TRANSITION ROLLER |

SERIAL NO. 15-00518+

ITEM NO. 22, 24 AND MOTOR ARE NOT INCLUDED IN THE KIT



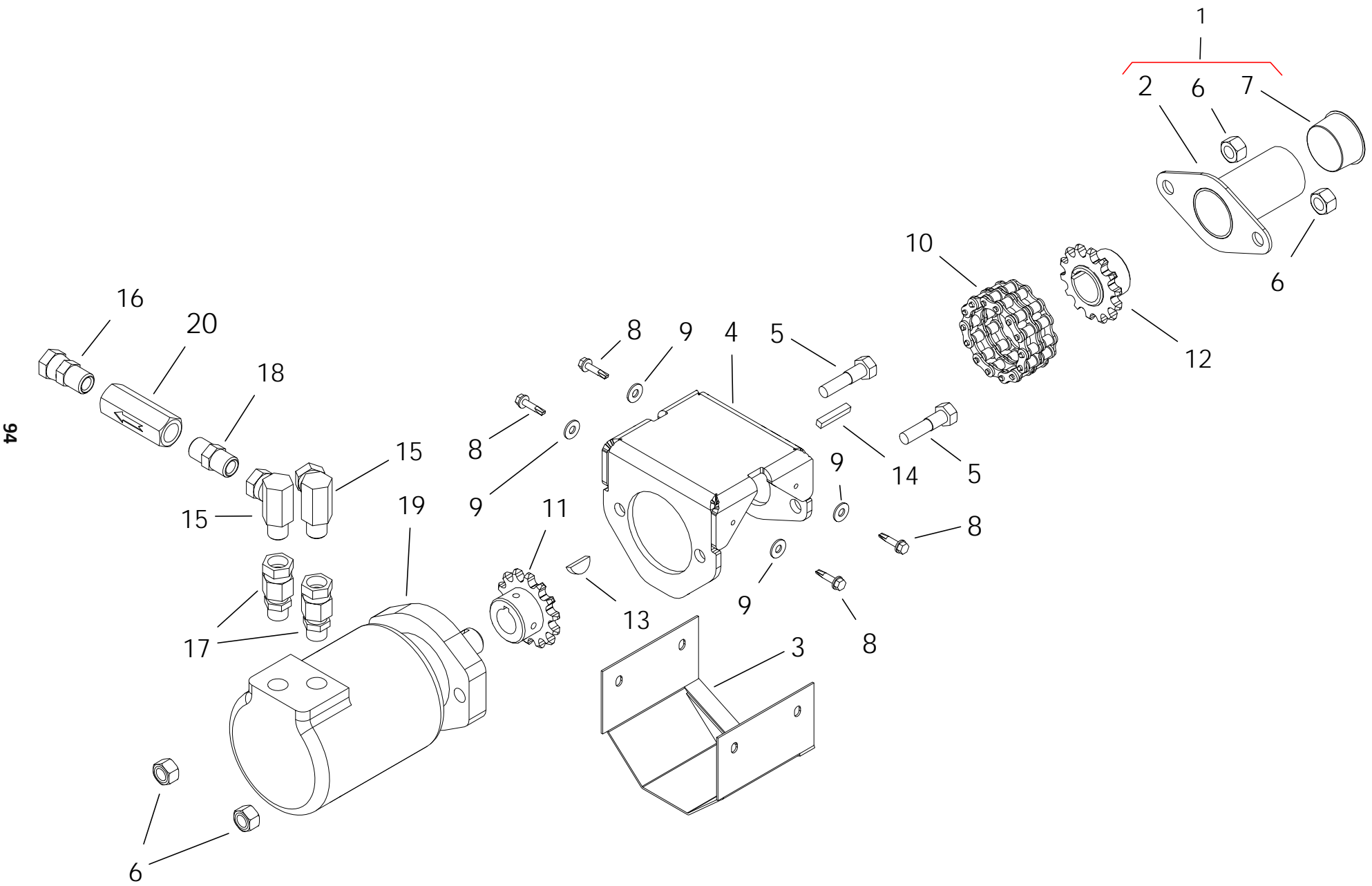
SERIAL NO. 15-00518 TO 15-00562 USE B98 BELT
SERIAL NO. 15-00563 & UP USE B102 BELT

ELECTRIC DRIVE KIT (15000275)

ELECTRIC DRIVE KIT (15000275)

| ITEM | PART NO. | DESCRIPTION |
|------|----------|---------------------------------|
| | 15000275 | ELECTRIC DRIVE KIT |
| 1 | 1300035X | SHAFT GUARD FL-206 ASSY KIT |
| 2 | 13041038 | SHAFT GUARD(FL-206) |
| 3 | 15062405 | MOVER MOTOR MOUNT |
| 4 | 15062406 | MOTOR BELT IDLER |
| 5 | 15062407 | IDLER SPACER |
| 6 | 25013011 | PIT GUARD MOUNT |
| 7 | P0114006 | TAP BOLT 3/4 X 5 PLATED |
| 8 | P0118130 | BOLT 1/2" X 4" GR8 PLATED |
| 9 | P0115045 | BOLT 3/8" X 1-1/4" GR5 PLATED |
| 10 | P0115201 | BOLT FLANGE 1/2 X 2" PLATED F/T |
| 11 | P0115218 | BOLT FLANGE 1/2 X 1-1/2" PLATED |
| 12 | P0131019 | NUT 3/4" PLATED GRADE 8 |
| 13 | P0134026 | LOCKNUT-NYLON-3/8" GRADE 8 |
| 14 | P0134008 | LOCKNUT-NYLON-1/2" |
| 15 | P0134108 | LOCKNUT-TENSILOCK-1/2" |
| 16 | P0141002 | TEK SCREW 1/4"X1" |
| 17 | P0151006 | FLAT WASHER 1/4"PLATED USS |
| 18 | P0151009 | FLAT WASHER 3/8"PLATED USS |
| 19 | P0151029 | FLAT WASHER 1/2"PLATED USS |
| 20 | P0321102 | BELT B102 |
| 21 | P0328007 | PULLEY-DBL-B-12" W/1-1/4"BORE |
| 22 | P0328018 | PULLEY-DBL-BK-4"H |
| 23 | P0328910 | IDLER-FLAT-4"TRPL 2-7/16"WIDE |
| 24 | P0340320 | HUB-H 1-1/4" |
| 25 | P0391003 | KEY 1/4" X 1-1/2" LONG |
| 26 | P1210032 | FL-206 SHAFT GUARD PLUG |
| 27 | P1211803 | PIT GUARD |

FX HYDRAULIC DRIVE KIT (15000285)

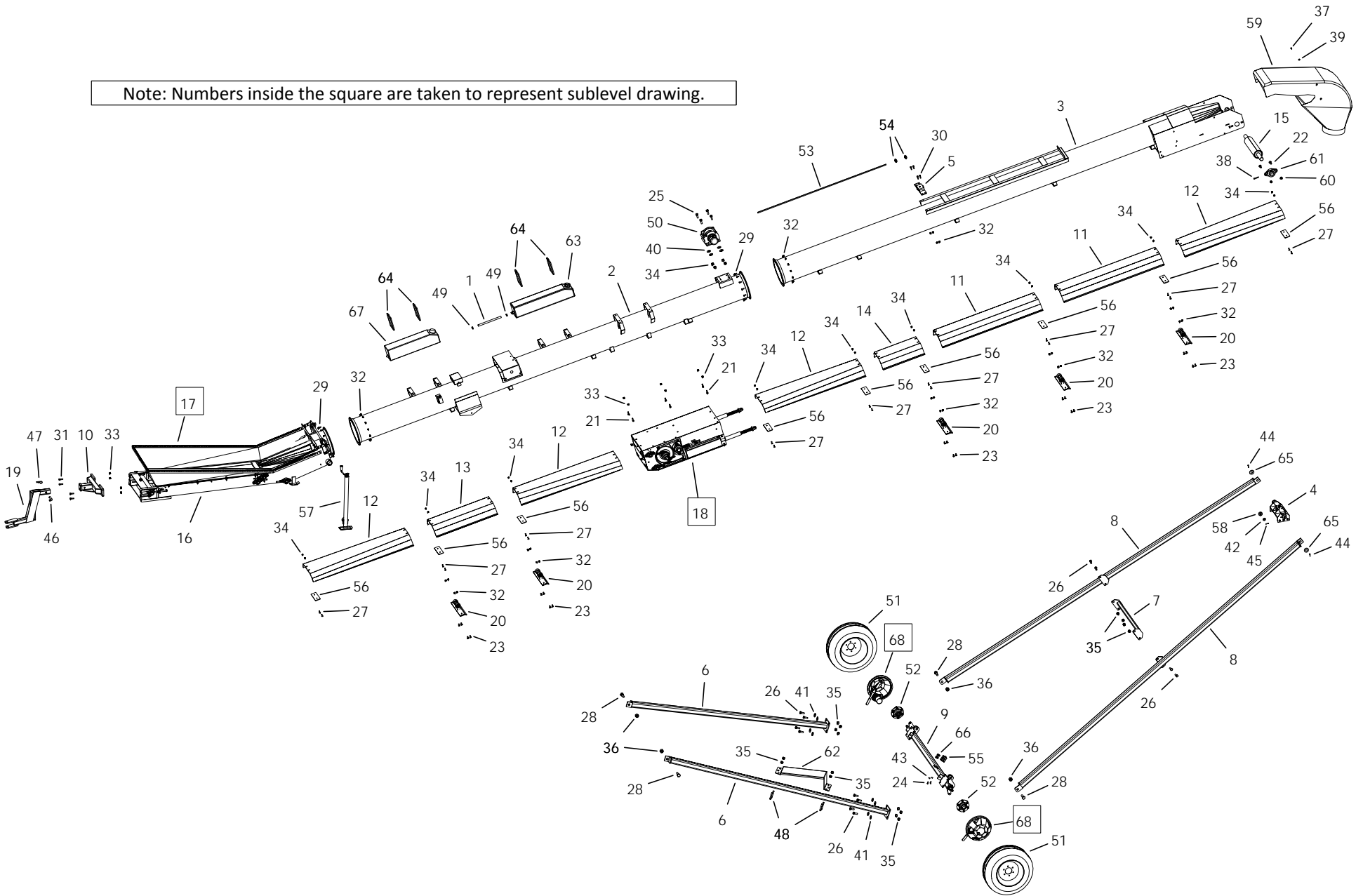


FX HYDRAULIC DRIVE KIT (15000285)

| ITEM | PART NO. | DESCRIPTION |
|------|----------|-------------------------------------|
| | 15000285 | HYDRAULIC DRIVE KIT |
| 1 | 1300035X | SHAFT GUARD FL-206 ASSY KIT |
| 2 | 13041038 | SHAFT GUARD(FL-206) |
| 3 | 15041040 | HYD COUPLER GUARD |
| 4 | 15062408 | HYD MOTOR MOUNT |
| 5 | P0118016 | BOLT 1/2" X 2" GR8 PLATED |
| 6 | P0134008 | LOCKNUT-NYLON-1/2" |
| 7 | P1210032 | FL-206 SHAFT GUARD PLUG |
| 8 | P0141002 | TEK SCREW 1/4"X1" |
| 9 | P0151006 | FLAT WASHER 1/4"PLATED USS |
| 10 | P0311001 | ROLLER CHAIN FOR DRIVE(50-2RX14+CL) |
| 11 | P0335140 | SPROCKET 5014 1.0(KEY0.25) |
| 12 | P0335141 | SPROCKET 5014 1.25(KEY0.25) |
| 13 | P0391001 | WOODRUFF KEY-(19224)1/4X1 |
| 14 | P0391003 | KEY 1/4" X 1-1/2" LONG |
| 15 | P0820001 | SWIVEL-1/2"90 DEGREE |
| 16 | P0821112 | SWIVEL-1/2" STRAIGHT |
| 17 | P0821114 | SWIVEL-10ORBX1/2"FS |
| 18 | P0821133 | HEX NIPPLE-1/2" |
| 19 | P0841019 | HYD MOTOR-6.2-2000-1" |
| 20 | P0861035 | CHECK VALVE-1/2" (NO HOLE) |

Note: Numbers inside the square are taken to represent sublevel drawing.

96

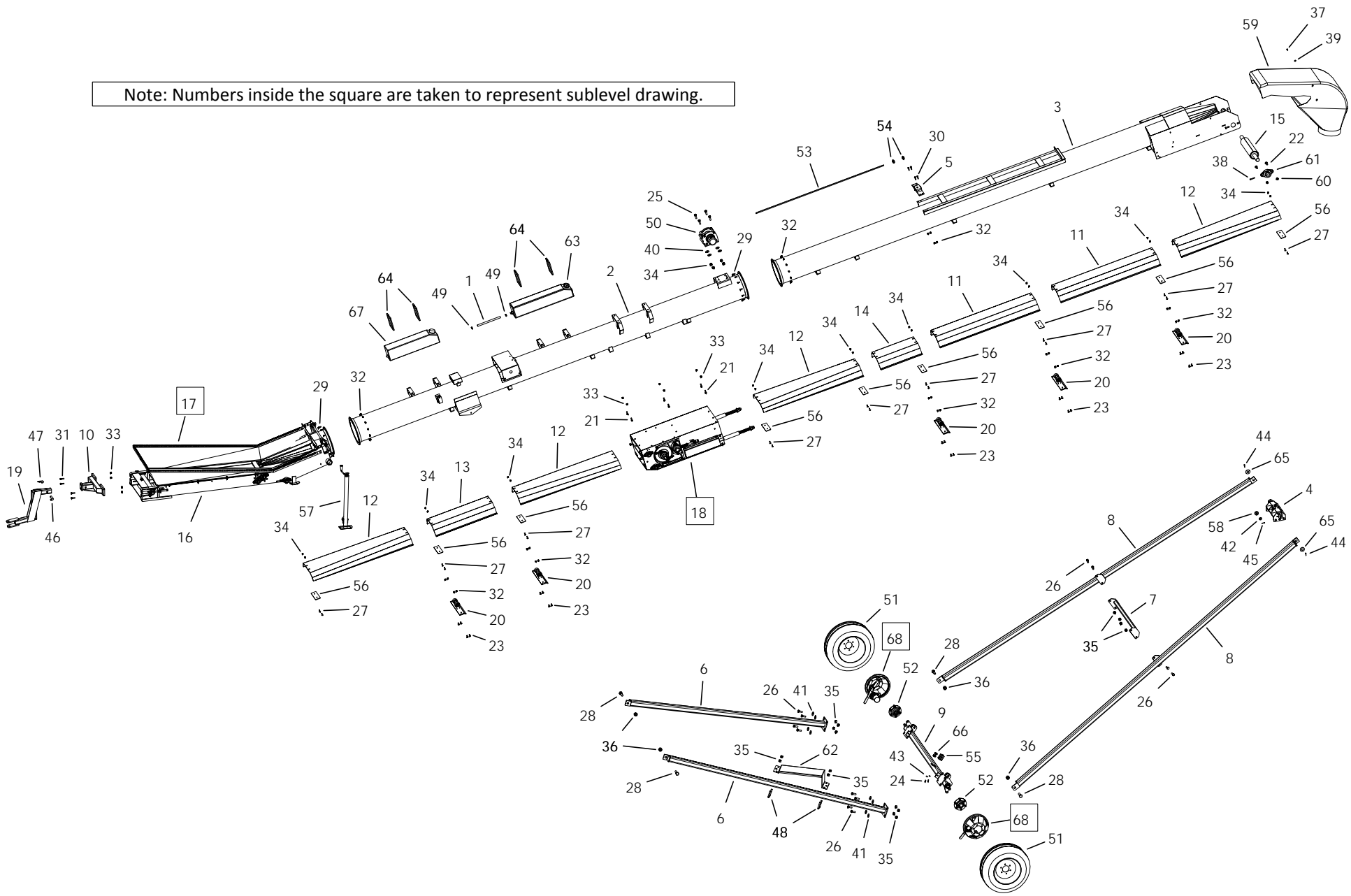


FX 2045 FL FMD (20504525)

| ITEM | PART NO. | DESCRIPTION |
|------|-----------|-------------------------------------|
| 1 | 01010188 | HOSE 3/4(9')-HOSE-HOSE |
| 2 | 20020019 | 2045FMD CENTER - WELD ON BRKTS |
| 3 | 20020023 | 20FL SPOUT 20' |
| 4 | 20030001 | 20 TRACK SLIDER |
| 5 | 20030007 | LARGE CABLE ATTACHMENT |
| 6 | 20030042 | AXLE ARM 2045 |
| 7 | 20030057 | 2045 FRAME CROSS BRACE |
| 8 | 20030058 | UPRIGHT 2045 |
| 9 | 20030185 | AXLE 2055-6BOLT W/WM TABS |
| 10 | 20030200 | HITCH 20 FL (ONE PC) |
| 11 | 20042201 | WEATHER GUARD 5' - 61-1/2" |
| 12 | 20042202 | WEATHER GUARD 5' FLR - 61-1/2" |
| 13 | 20042203 | WEATHER GUARD 3' STD - 37-1/2" |
| 14 | 20042206 | WEATHER GUARD 2' STD - 25-1/2" |
| 15 | 20070009 | HOPPER ROLLER LAGGED |
| 16 | 20555545 | FX-HOPPER RLLER KIT -20FL |
| 17 | 20555850 | FX-HOPPER-COLLAPSABLE 20FL |
| 18 | 20590020 | S-DRIVE ASM W/PINCH |
| 19 | 24030096 | 24 Z-DROP TONGUE |
| 20 | 200100811 | WG ROLLER MOUNT KIT W/ROLLERS |
| 21 | P0113004 | CARRIAGE BOLT 1/2"X1-1/2"PLATED |
| 22 | P0113007 | CARRIAGE BOLT 5/8"X2"PLATED |
| 23 | P0113013 | CARRIAGE BOLT 7/16"X1" PLATED |
| 24 | P0118033 | BOLT 1/4" X 3/4" GR8 PLATED |
| 25 | P0115113 | BOLT 3/8" X 1-1/2" GR8 PLATED |
| 26 | P0115111 | BOLT 3/4" X 2" GR8 PLATED |
| 27 | P0115303 | CAPSCREW 3/8X1-1/4FLT HD SOCKET PTD |
| 28 | P0118004 | BOLT 1" X 3" GR8 PLATED |
| 29 | P0118076 | BOLT 7/16"X1" GRADE 8 PLATED |
| 30 | P0118077 | BOLT 7/16"X1-1/2" GRADE 8 PLATED |
| 31 | P0118090 | BOLT 1/2" X 1-3/4" GR8 PLATED |
| 32 | P0134007 | LOCKNUT-NYLON-7/16" |
| 33 | P0134008 | LOCKNUT-NYLON-1/2" |
| 34 | P0134026 | LOCKNUT-NYLON-3/8" GRADE 8 |
| 35 | P0134029 | LOCKNUT-NYLON-3/4" GRADE 8 |
| 36 | P0134030 | LOCKNUT-NYLON-1" GRADE 8 |
| 37 | P0141003 | TEK SCREW 1/4"X1-1/2" HEX WASHER |
| 38 | P0145002 | SET SCREW-7/16"X2-1/2"SQ.HD. |
| 39 | P0151006 | FLAT WASHER 1/4"PLATED USS |
| 40 | P0151009 | FLAT WASHER 3/8"PLATED USS |
| 41 | P0151015 | FLAT WASHER 3/4"PLATED USS |
| 42 | P0151026 | FLAT WASHER 3/4"SAE |
| 43 | P0152004 | LOCK WASHER 1/4"PLATED |
| 44 | P0161001 | Cotter Pin 1/4 x 2 |
| 45 | P0161002 | COTTER PIN 5/32X1-1/2"PLATED |
| 46 | P0162002 | Pin Hitch 3/4 x 3 1/2 |

Note: Numbers inside the square are taken to represent sublevel drawing.

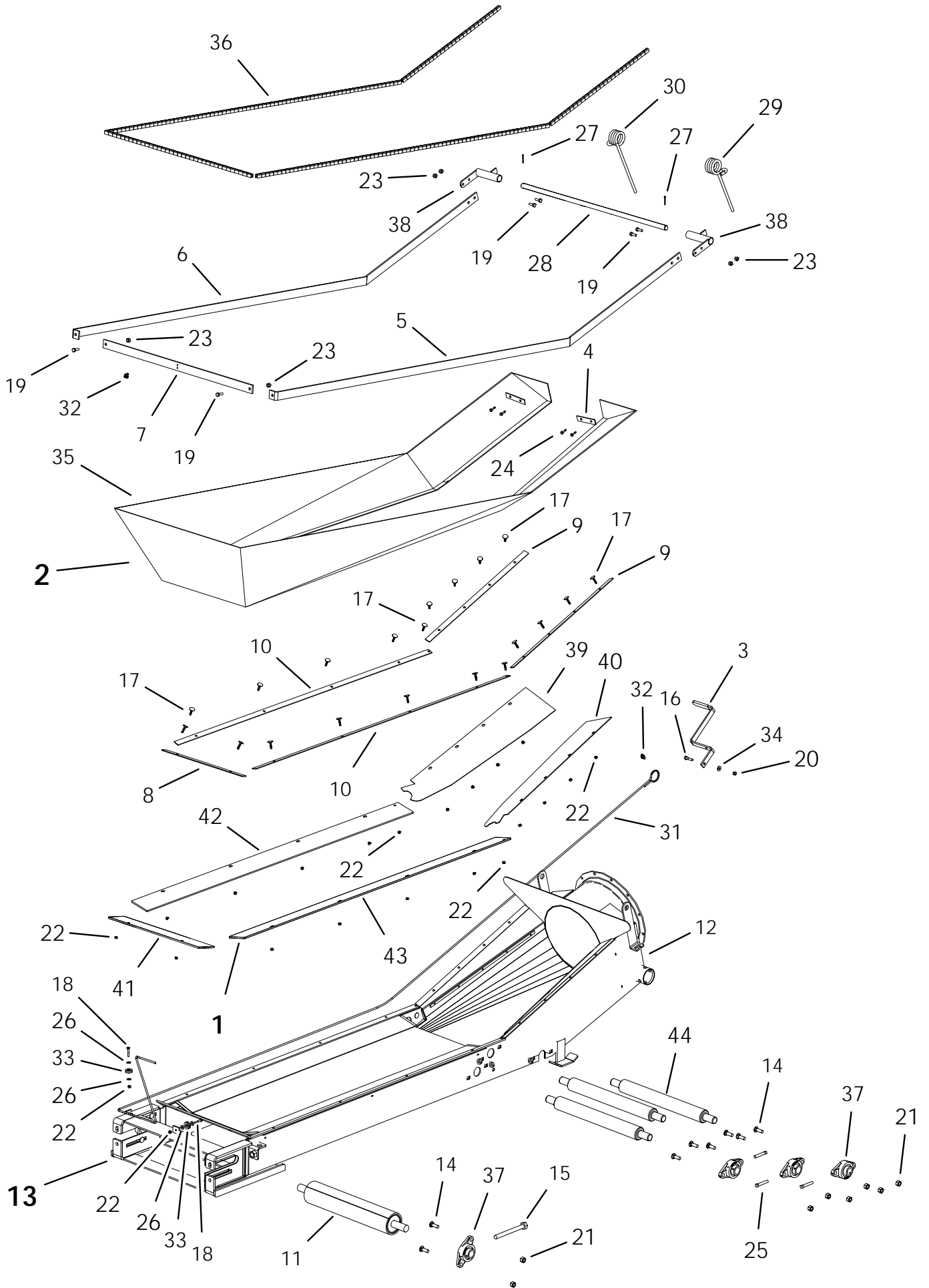
98



FX 2045 FL FMD (20504525)

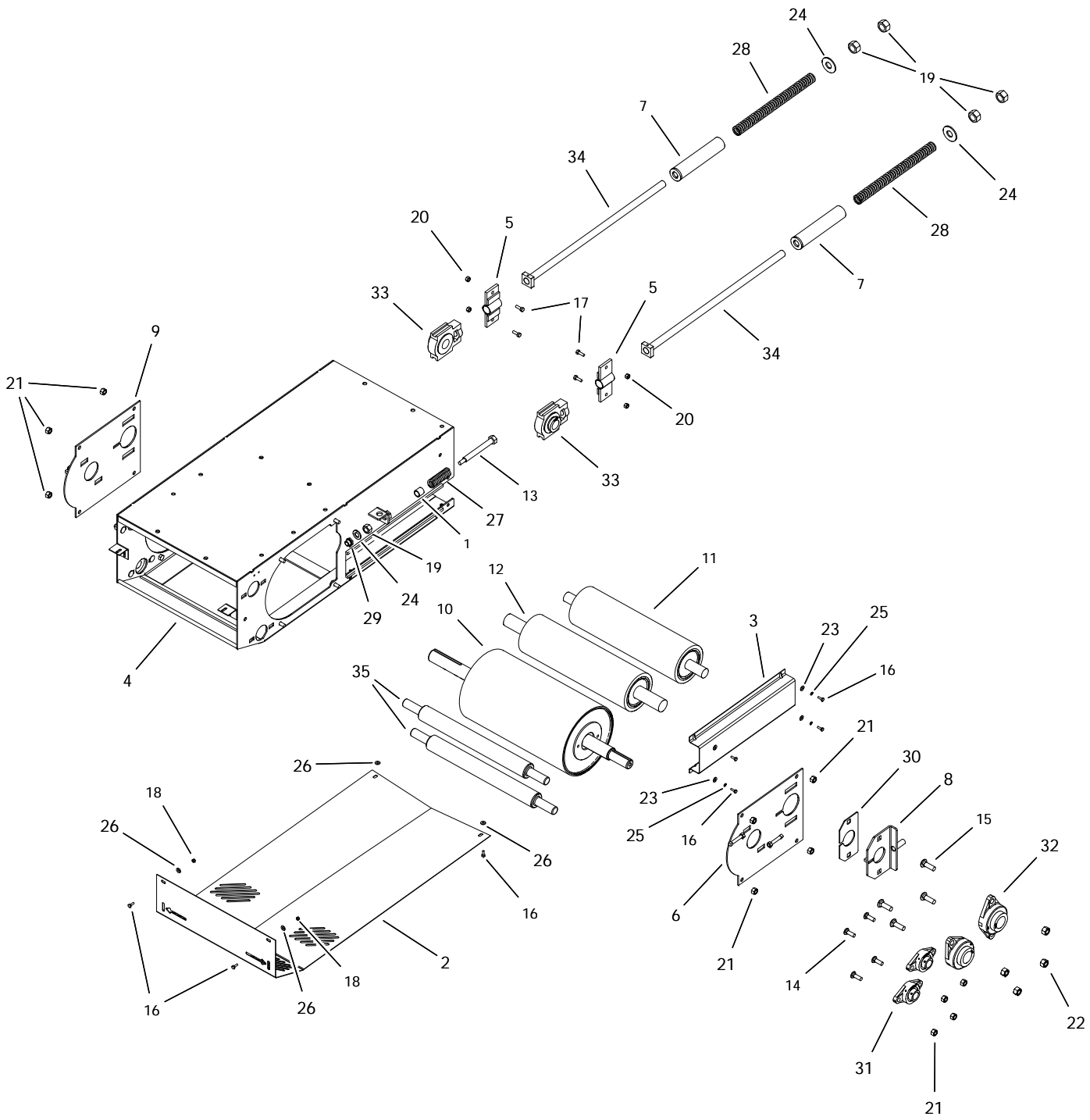
| ITEM | PART NO. | DESCRIPTION |
|------|--------------|------------------------------------|
| 47 | P0163001 | HAIR PIN 3/16" X 3-1/4" |
| 48 | P0183004 | U-BOLT 3" X 3" -PLATED |
| 49 | P0184006 | HOSE CLAMP-3/4"(HS12) |
| 50 | P0217634B | HYDRAULIC WINCH KIT |
| 51 | P0615308 | TIRE ASM -6BLT ST205/75R15 LRC 6PL |
| 52 | P0616101 | HUB-HA611-6 BOLT C/W BEARINGS |
| 53 | P0711107 | 5/16" CABLE-40' (19884) |
| 54 | P0712105 | CABLE CLAMP-5/16" GALV. |
| 55 | P0861201 | CUSHION BLOCK, COMPLETE |
| 56 | P1010002 | BI-MOUNT PLATE CAST |
| 57 | P1012009 | JACK-7000LB SQ.TUBE 25" EXT |
| 58 | P1211305 | ROLLER 2" NYLON |
| 59 | P1212001 | HOOD-ROUND 20 SERIES |
| 60 | P01340101 | LOCKNUT-NYLON-5/8" GRADE 8 |
| 61 | P1711003 | FLANGE UNIT-1-15/16"-SAFL210-31 |
| 62 | P2513003P | INSPECTION STEP BI-MOUNT PAINTED |
| 63 | P029900052-3 | TANK, 22L, BLK W/FTG, CAP HOSE |
| 64 | P029900216 | GEAR CLAMP 32" |
| 65 | P0151031 | FLAT WASHER 1"PLATED USS |
| 66 | P0821127 | SWIVEL-3/8"-STR. |
| 67 | P021200051 | GAS TANK W/CAP W/FITTING-22L |
| 68 | 205801431 | MOVER-WHEEL MOVE DRIVE SYS FMD |

FX HOPPER (2055585X)



FX HOPPER (205585X)

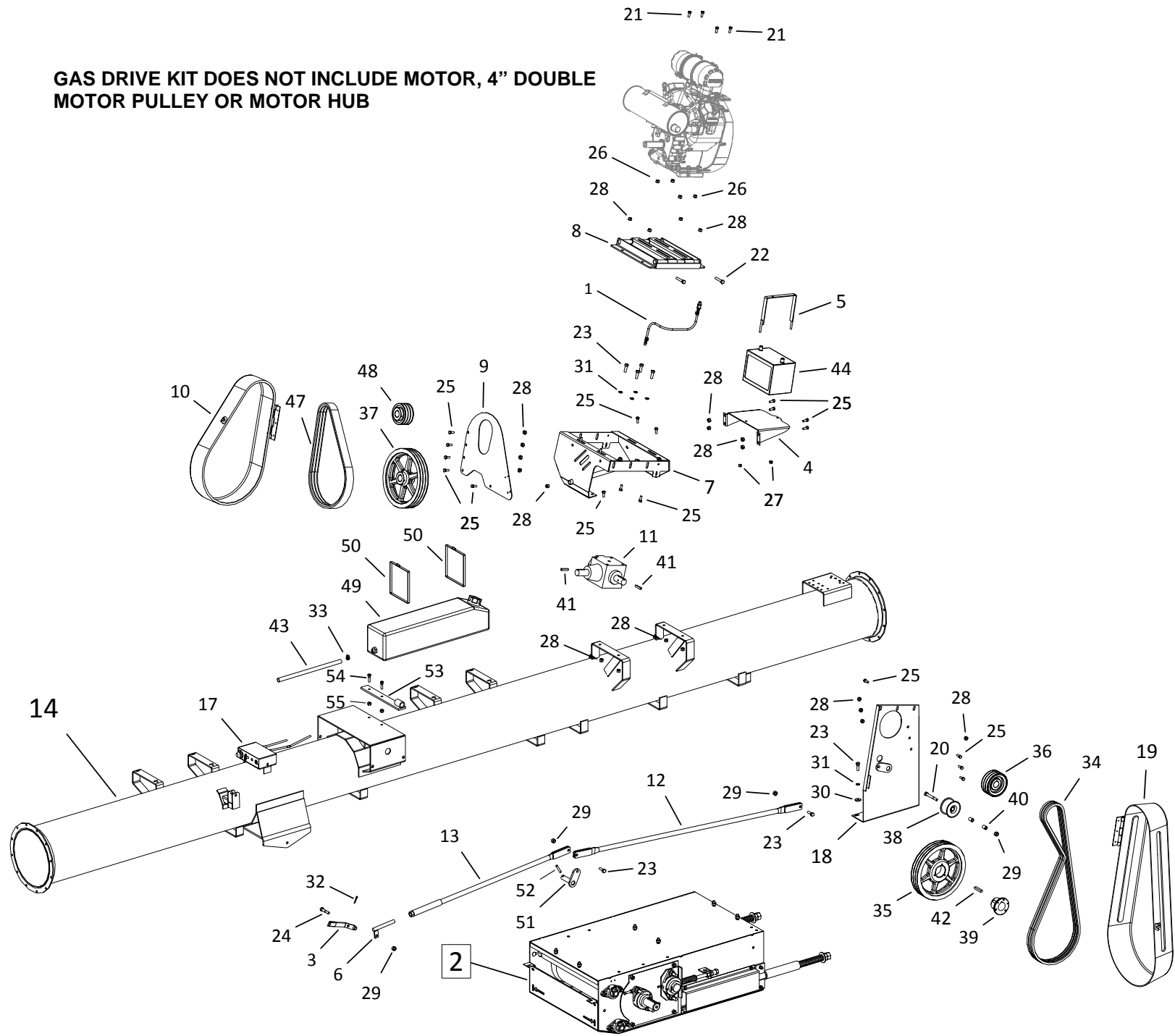
| ITEM | PART NO. | DESCRIPTION |
|------|-----------|--------------------------------------|
| 1 | 20000122 | 2045FX FLASHING KIT |
| 2 | 2055585X | FX- HOPPER-COLLAPSABLE 20FL |
| 3 | 13100008 | HOPPER HANDLE |
| 4 | 15102061 | LOWER CLOTH FRAME TR BACK |
| 5 | 20050018 | FX-20FL UPPER FRAME RIGHT |
| 6 | 20050019 | FX-20FL UPPER FRAME LEFT |
| 7 | 20052035 | FX-20FL UPPER CLOTH FRAME TR FRONT |
| 8 | 20052036 | FX-20FL LOWER CLOTH FRAME TR FRONT |
| 9 | 20052037 | FX-20FL LOWER CLOTH FRAME TRANSITION |
| 10 | 20052038 | FX-20FL LOWER CLOTH FRAME TR SIDE |
| 11 | 20070040 | 20FL TAKE-UP ROLLER |
| 12 | 20100030 | FX-20FL HOPPER |
| 13 | 20555545 | FX-HOPPER RLLER KIT -20FL |
| 14 | P0113004 | CARRIAGE BOLT 1/2"X1-1/2"PLATED |
| 15 | P0114007 | TAP BOLT 3/4 X 7 PLATED |
| 16 | P0115113 | BOLT 3/8" X 1-1/2" GR8 PLATED |
| 17 | P0116001 | ELEVATOR BOLT 1/4"X1-1/4" |
| 18 | P0118026 | BOLT 1/4" X 1-1/2" GR8 PLATED |
| 19 | P0118046 | BOLT 3/8" X 1" GR8 PLATED |
| 20 | P0131018 | NUT 3/8" PLATED GRADE 8 |
| 21 | P0134008 | LOCKNUT-NYLON-1/2" |
| 22 | P0134023 | LOCKNUT-NYLON-1/4" GR8 |
| 23 | P0134026 | LOCKNUT-NYLON-3/8" GRADE 8 |
| 24 | P0141002 | TEK SCREW 1/4"X1" |
| 25 | P0145002 | SET SCREW-7/16"X2-1/2"SQ.HD. |
| 26 | P0151006 | FLAT WASHER 1/4"PLATED USS |
| 27 | P0161003 | COTTER PIN 3/16"X1-1/2"PLATED |
| 28 | P0162018 | HOPPER PIVOT SHAFT-18FL |
| 29 | P0521005 | HOPPER SPRING-L-.437 |
| 30 | P0521006 | HOPPER SPRING-R-.437 |
| 31 | P0711101 | CABLE 1/8" 7 X 19 GAC |
| 32 | P0712104 | CABLE CLAMP-1/8" GALV. |
| 33 | P0713104 | CABLE SHEAVE-1-1/4" W/BEARING |
| 34 | P1210010 | Washer Nylon 3/8 USS |
| 35 | P1621023 | HOPPER CANVAS FX20FL |
| 36 | P1641015 | TRIM LOCK |
| 37 | P1711005 | FLANGE UNIT-1-1/4"-PREMIUM |
| 38 | P2515017 | PIVOT SHAFT BRACKET |
| 39 | P19209004 | FX-20" TRANSFER FLASHING LH |
| 40 | P19209005 | FX-20" TRANSFER FLASHING RH |
| 41 | P19209006 | FX-20FL HOPPER FRONT FLASHING |
| 42 | P19209007 | FX-20FL HOPPER SIDE FLASHING LH |
| 43 | P19209008 | FX-20FL HOPPER SIDE FLASHING RH |
| 44 | P20325003 | 20 FL TRANSITION ROLLER |



S-DRIVE (20590020)

| ITEM | PART NO. | DESCRIPTION |
|------|-----------|---|
| 1 | 15062010 | PINCH PIPE |
| 2 | 20040011 | S-DRIVE BOTTOM GUARD |
| 3 | 20042070 | S-DRIVE TAKEUP GUARD |
| 4 | 20060500 | S-DRIVE PUNCH |
| 5 | 20060501 | S-DRIVE TAKEUP BRACKET |
| 6 | 20060502 | DRIVE ROLLER COVER LH |
| 7 | 20060504 | PRETENSIONER |
| 8 | 20060507 | Pinch Tighener Plate |
| 9 | 20060514 | DRIVE ROLLER COVER RH |
| 10 | 20070004 | ROLLER S-DRIVE 10-1/2" W/ EXT SHAFT |
| 11 | 20070508 | PINCH SD TAKE-UP ROLLER |
| 12 | 20070509 | S-DRIVE PINCH ROLLER |
| 13 | P0113000 | SPRING TENSION BOLT |
| 14 | P0113004 | CARRIAGE BOLT 1/2"X1-1/2"PLATED |
| 15 | P0113007 | CARRIAGE BOLT 5/8"X2"PLATED |
| 16 | P0118033 | BOLT 1/4" X 3/4" GR8 PLATED |
| 17 | P0115046 | BOLT 3/8"X1" GRADE 5 PLATED |
| 18 | P0131007 | NUT 7/16" BARE - HEAVY |
| 19 | P0131112 | NUT 3/4"PLATED |
| 20 | P0134026 | LOCKNUT-NYLON-3/8" GRADE 8 |
| 21 | P0134008 | LOCKNUT-NYLON-1/2" |
| 22 | P0134010 | LOCKNUT-NYLON-5/8" |
| 23 | P0151006 | FLAT WASHER 1/4"PLATED USS |
| 24 | P0151015 | FLAT WASHER 3/4"PLATED USS |
| 25 | P0152004 | LOCK WASHER 1/4"PLATED |
| 26 | P0152004 | LOCK WASHER 1/4"PLATED |
| 27 | P0511008 | SPRING-LD-1300 SERIES |
| 28 | P0511010 | SPRING-COMP-1.46"X16.5" (1.05"DIA) |
| 29 | P0820129 | BUSHING BRASS FLANGED |
| 30 | P1210103 | PINCH SLIDE PLATE (POLY) |
| 31 | P1711002 | FLANGE UNIT-1-1/4"-SAFL206-20 |
| 32 | P1711003 | FLANGE UNIT-1-15/16"-SAFL210-31 |
| 33 | P1721002 | TAKE-UP UNIT-1-1/2"-T208-24 |
| 34 | P2520006 | 20 S-DRIVE TIGHTENER BOLT |
| 35 | P20320001 | S-DRIVE RETURN ROLLER |
| 36 | P0351010 | MACHINERY BUSHING 7/8" MEDIUM (NOT SHOWN) |
| 37 | P0167001 | SPRING PIN 1/4" X 1-1/2" |

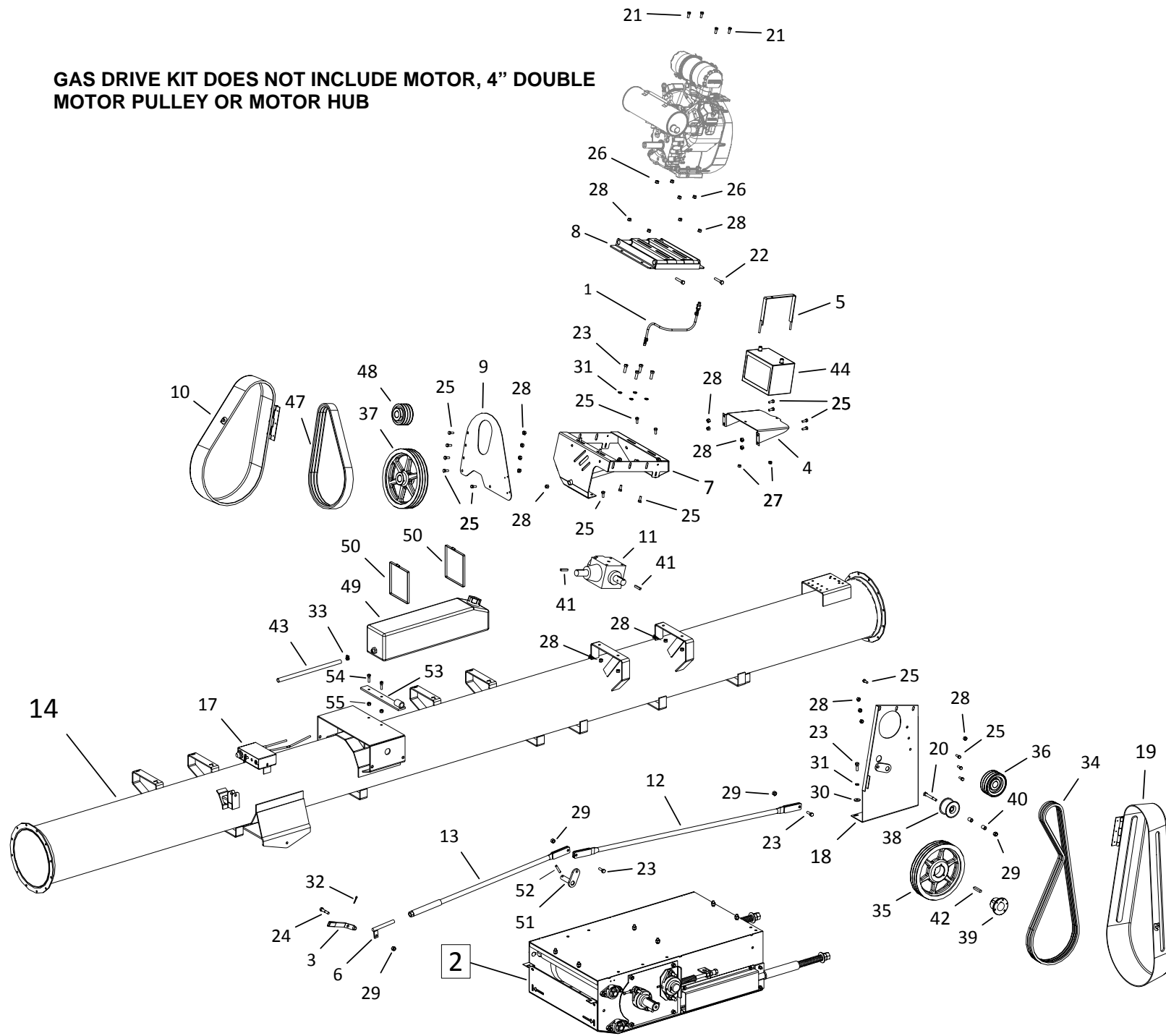
GAS DRIVE KIT DOES NOT INCLUDE MOTOR, 4" DOUBLE MOTOR PULLEY OR MOTOR HUB



GAS DRIVE KIT (2059019X)

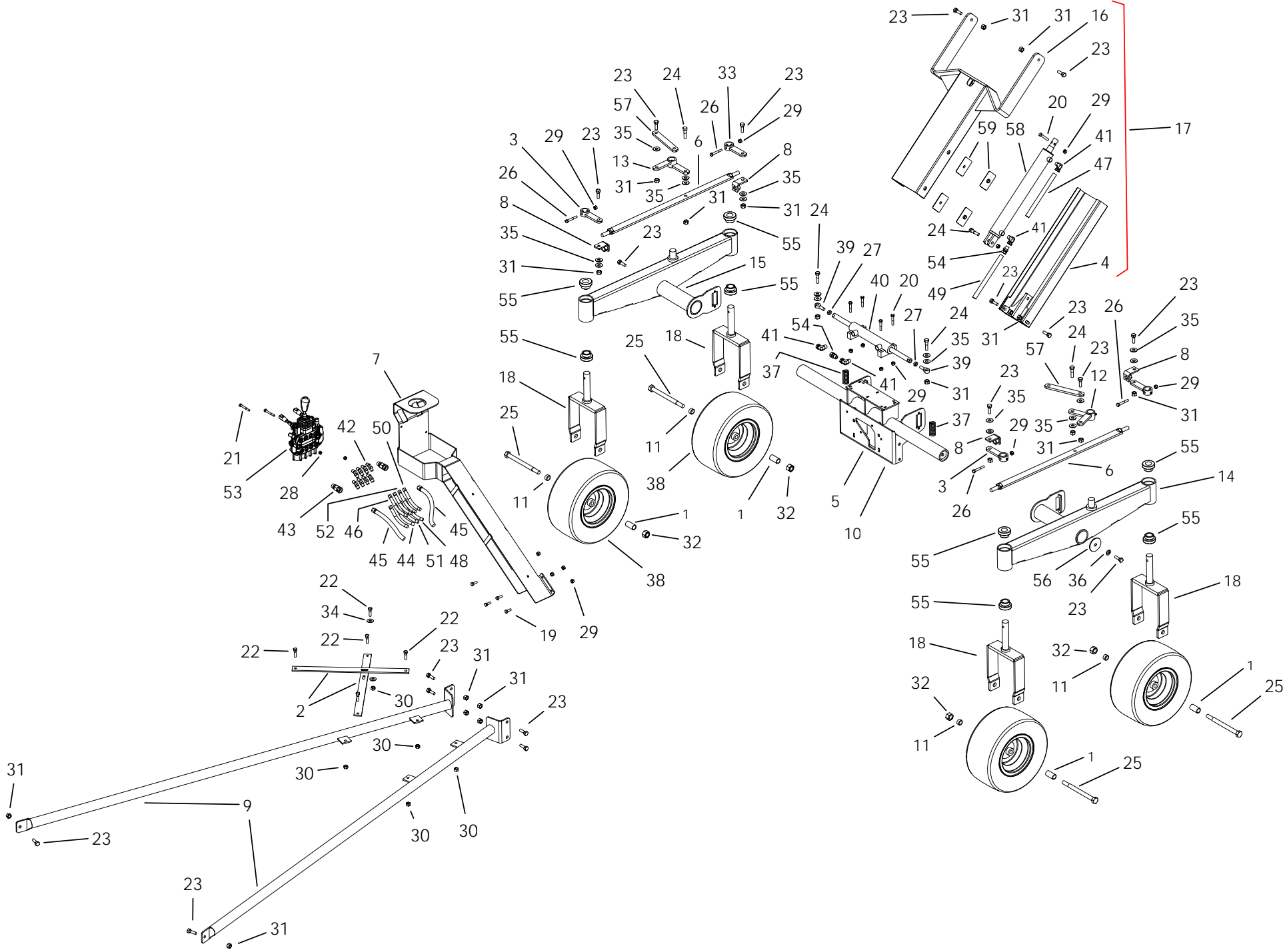
| ITEM | PART NO. | DESCRIPTION |
|------|------------|------------------------------------|
| 1 | 01010003 | BREATHER DIRECT DRIVE |
| 2 | 2459002X | S-DRIVE ASM W/PINCH |
| 3 | 13010054 | MOTOR MT OVERCENTER HANDLE |
| 4 | 13012108 | MOTOR MOUNT BATTERY MOUNT |
| 5 | 13060054 | BATTERY CLAMP |
| 6 | 13060074 | OVERCENTER ADJUSTER |
| 7 | 13060102 | MOTOR MOUNT |
| 8 | 13060103 | SLIDER MOUNT |
| 9 | 13060107 | ENGINE GUARD BACK |
| 10 | 15040055 | PINCH GUARD SMALL ASSEMBLED |
| 11 | 15591001 | GBOX 90 2:1 CW/CW 1-1/2 4190 W/OIL |
| 12 | 20030054 | 20S OVERCENTER LINKAGE |
| 13 | 20030056 | 20S OVERCENTER PUSHROD |
| 14 | 20020019 | 2045FMD CENTER - WELD ON BRKTS |
| 15 | 20040055 | PINCH GUARD EXTENDED ASSEMBLED |
| 17 | 13062188 | DIRECT DRIVE CONTROLS BOX TOP |
| 18 | 20060105 | 20S MOTOR MOUNT BACK PLATE |
| 19 | 20040055 | PINCH GUARD EXTENDED ASSEMBLED |
| 20 | P0118130 | BOLT 1/2" X 4" GR8 PLATED |
| 21 | P0118062 | BOLT 5/16" X 2" GR8 PLATED |
| 22 | P0118066 | BOLT 5/16" X 3/4" GR8 PLATED |
| 23 | P0118013 | BOLT 1/2"X1 1/2" GR.8 PLATED |
| 24 | P0118017 | BOLT 1/2"X2-1/2"GRADE 8 PLATED |
| 25 | P0118076 | BOLT 7/16"X1" GRADE 8 PLATED |
| 26 | P0134027 | LOCKNUT-NYLON-5/16" GRADE 8 |
| 27 | P0134026 | LOCKNUT-NYLON-3/8" GRADE 8 |
| 28 | P0134007 | LOCKNUT-NYLON-7/16" |
| 29 | P0134008 | LOCKNUT-NYLON-1/2" |
| 30 | P0151029 | FLAT WASHER 1/2"PLATED USS |
| 31 | P0152008 | LOCK WASHER 1/2"PLATED |
| 32 | P0161003 | COTTER PIN 3/16"X1-1/2"PLATED |
| 33 | P0184033 | WIRE HOSE CLAMP .500" |
| 34 | P03210922 | BELT 3RB92 TRIPLE BANDED |
| 35 | P0328037 | PULLEY-TRPL-B-Q13.6"W/3"BORE |
| 36 | P0328050 | PULLEY-TRPL-6" W/1-1/2"BORE |
| 37 | P0328037 | PULLEY-TRPL-B-Q13.6"W/3"BORE |
| 38 | P0328910 | IDLER-FLAT-4"TRPL 2-7/16"WIDE |
| 39 | P0340631 | HUB-Q1 1-15/16" |
| 40 | P0351019 | DNR-BUSHING 3/4"ODX1/2"IDX1"BRONZE |
| 41 | P0391002 | KEY 3/8" X 2" LONG |
| 42 | P0391007 | KEY 7/16" X 1/2" X 2-1/2" LONG |
| 43 | P0831008 | FUEL LINE-1/4"ID |
| 44 | P0951013 | BATTERY 420CCA |
| 47 | P03210592 | BELT 3RB59 TRIPLE BANDED |
| 48 | P03280391 | PULLEY-TRPL-B-4.6" W/1-1/8" BORE |
| 49 | P021200051 | GAS TANK W/CAP W/FITTING-22L |

GAS DRIVE KIT DOES NOT INCLUDE MOTOR, 4" DOUBLE MOTOR PULLEY OR MOTOR HUB



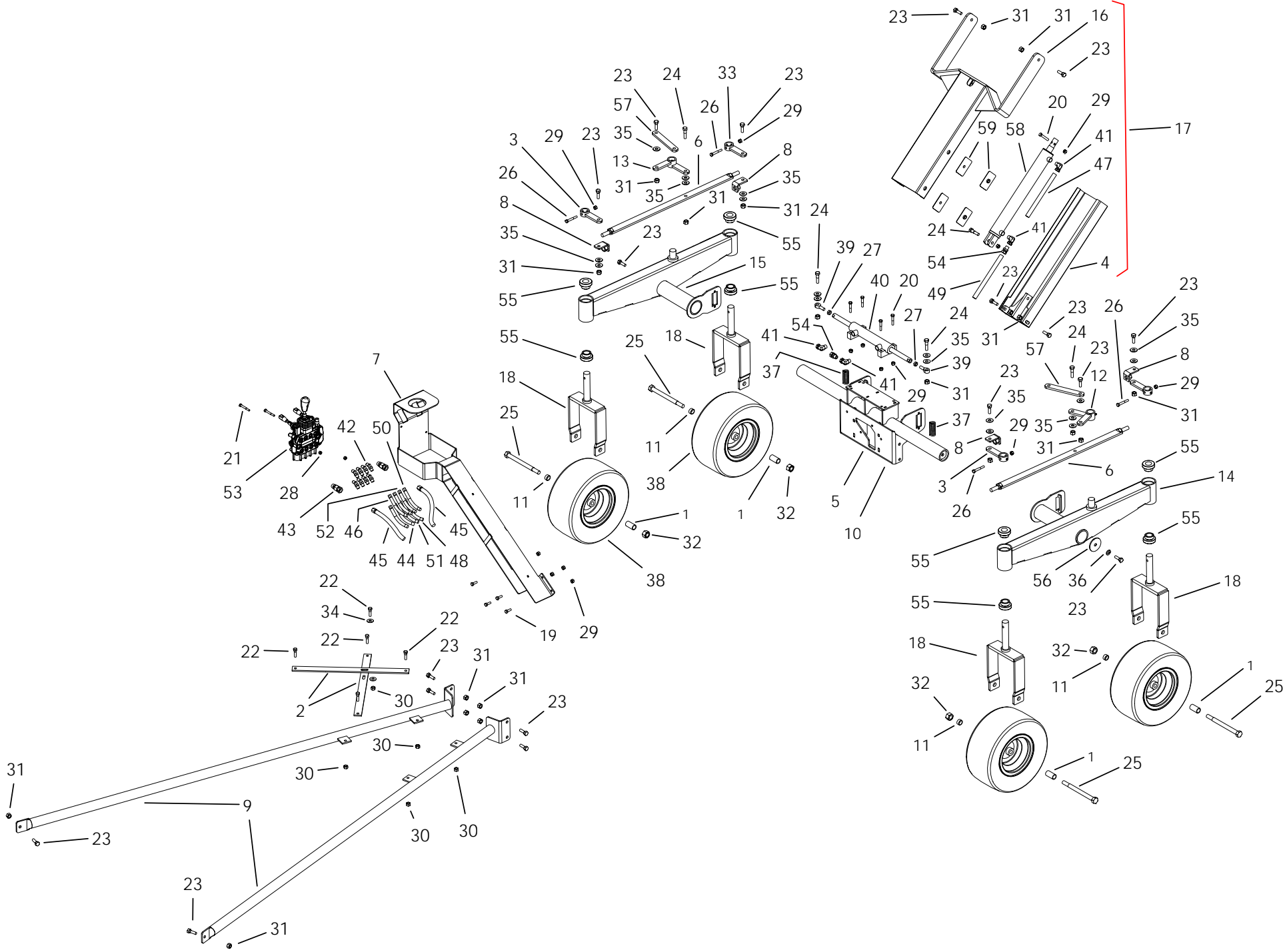
GAS DRIVE KIT (2059019X)

| ITEM | PART NO. | DESCRIPTION |
|-------------|-----------------|----------------------------------|
| 50 | P029900216 | GEAR CLAMP 32" |
| 51 | 13060113 | ROCKER ARM PIVOT SHAFT |
| 52 | P0167102 | PIN ROLL SLOTTED M10 X 40MM |
| 53 | 20060108 | SWIVEL MOUNT WELD |
| 54 | P0118077 | BOLT 7/16"X1-1/2" GRADE 8 PLATED |
| 55 | P0134007 | LOCKNUT-NYLON-7/16" |



WHEEL MOVE (2012100X)

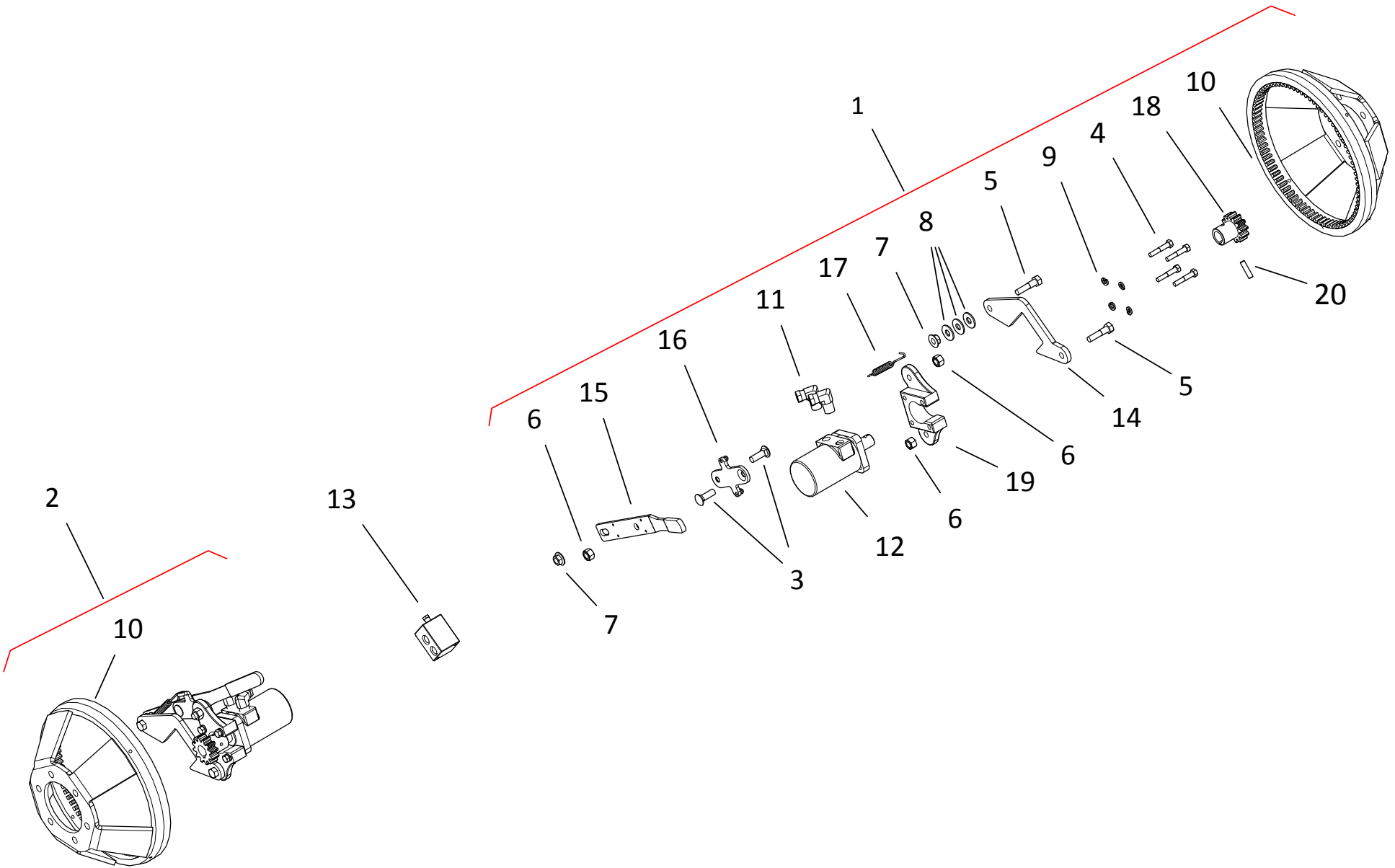
| ITEM | PART NO. | DESCRIPTION |
|------|-----------|------------------------------------|
| 1 | 15062110 | TD PINCH PIPE |
| 2 | 15121001 | CROSS BRACE (KAN) |
| 3 | 15121009 | CASTER STEERING LINK |
| 4 | 15121011 | SLIDER LOWER WELDMENT |
| 5 | 15121012 | MOVER KIT AXLE WELDMENT |
| 6 | 15121016 | STEERING LINK WELDMENT |
| 7 | 15121017 | CONTROL ARM |
| 8 | 15121019 | STEERING LINK END WELDMENT |
| 9 | 20121021 | TRANSPORT FRAME PIPE WELDMENT |
| 10 | 15121022 | CHASSIS ASSY |
| 11 | 15121023 | 3/4" X 1/2" SPACER |
| 12 | 15121027 | STEERING PIVOT RH |
| 13 | 15121028 | STEERING PIVOT LH |
| 14 | 15121029 | WALKING BEAM RH |
| 15 | 15121030 | WALKING BEAM LH |
| 16 | 20121010 | SLIDER TOP WELDMENT |
| 17 | 20121020 | SLIDER ARM ASSY |
| 18 | 131200052 | FORK-STRAIGHT 90DEG WIDE |
| 19 | P0115046 | BOLT 3/8"X1" GRADE 5 PLATED |
| 20 | P0115050 | BOLT 3/8" X 2" GR5 PLATED |
| 21 | P0115063 | BOLT 5/16" X 2-1/2" GR5 PLATED |
| 22 | P0115077 | Bolt Hex 7/16 x 1 1/2 |
| 23 | P0118013 | BOLT 1/2"X1 1/2" GR.8 PLATED |
| 24 | P0118016 | BOLT 1/2" X 2" GR8 PLATED |
| 25 | P0118048 | Bolt Hex GR8 3/4 x 9 |
| 26 | P0118051 | BOLT 3/8" X 2-1/2" GR8 PLATED |
| 27 | P0133107 | NUT JAM 1/2" UNF GR5 |
| 28 | P0134005 | LOCKNUT-NYLON-5/16" |
| 29 | P0134026 | LOCKNUT-NYLON-3/8" GRADE 8 |
| 30 | P0134007 | LOCKNUT-NYLON-7/16" |
| 31 | P0134008 | LOCKNUT-NYLON-1/2" |
| 32 | P0134012 | LOCKNUT-NYLON-3/4" |
| 33 | P0145006 | SET SCREW 3/8" X 3/8" UNC |
| 34 | P0151012 | FLAT WASHER 7/16"PLATED USS |
| 35 | P0151029 | FLAT WASHER 1/2"PLATED USS |
| 36 | P0152008 | LOCK WASHER 1/2"PLATED |
| 37 | P0511011 | SPRING-COMP-1.25"X3" (0.625 ID) |
| 38 | P0614307 | TIRE & RIM 16X7.50-8 TM |
| 39 | P0631012 | TIE ROD END BALL JOINT 1/2" M UNF |
| 40 | P0811001 | HYD CYL- DBL 1-1/2" X 5-5/8" |
| 41 | P0820007 | SWIVEL-3/8"PT/90D |
| 42 | P0820611 | ELBOW-6 ORBX3/8"JIC M 45 |
| 43 | P0821130 | SWIVEL-8 ORBX1/2"FPS |
| 44 | P0832027 | HOSE 3/8(12'6")-3/8FJICX-3/8MPT PC |
| 45 | P0832044 | HOSE 1/2(32'6")-1/2MPT-1/2MPT PC |
| 46 | P0832052 | HOSE 3/8(32'6")-3/8MPT-3/8FJICX PC |



WHEEL MOVE (2012100X)

| ITEM | PART NO. | DESCRIPTION |
|------|------------|-------------------------------------|
| 47 | P0832074 | HOSE 3/8(63")-3/8FJICX-3/8MPT PC |
| 48 | P0832074 | HOSE 3/8(63")-3/8FJICX-3/8MPT PC |
| 49 | P0832075 | HOSE 3/8(48")-3/8FJICX-3/8MPT |
| 50 | P0832075 | HOSE 3/8(48")-3/8FJICX-3/8MPT |
| 51 | P0832076 | HOSE 3/8(36")-3/8FJICX-3/8MPT PC |
| 52 | P0832077 | HOSE 3/8(30")-3/8FJICX-3/8MPT PC |
| 53 | P0861042 | VALVE-4 SPL W/JOYSTICK W/2 HANDLES |
| 54 | P0861043 | FLOW RESTRICTOR-3/8"NPT (.031 HOLE) |
| 55 | P1742002 | BEARING-1-1/4" |
| 56 | P11130185P | AXLE END CAP |
| 57 | P11152017P | STEERING LINK |
| 58 | P020200308 | HYDRAULIC CYLINDER |
| 59 | P022300068 | SLIDER WEAR PLATE |

WHEEL MOVE DRIVE SYSTEM (20580143)



WHEEL MOVE DRIVE SYSTEM (20580143)

| ITEM | PART NO. | DESCRIPTION |
|------|-------------|------------------------------------|
| 1 | 13000120 | WM DRIVE PINION GEAR ASSY - RIGHT |
| 2 | 13000121 | WM DRIVE PINION GEAR ASSY - LEFT |
| 3 | P0113004 | CARRIAGE BOLT 1/2"X1-1/2"PLATED |
| 4 | P0115050 | BOLT 3/8" X 2" GR5 PLATED |
| 5 | P0118016 | BOLT 1/2" X 2" GR8 PLATED |
| 6 | P0134008 | LOCKNUT-NYLON-1/2" |
| 7 | P0134108 | LOCKNUT-TENSILOCK-1/2" |
| 8 | P0151029 | FLAT WASHER 1/2"PLATED USS |
| 9 | P0152006 | LOCK WASHER 3/8"PLATED |
| 10 | P0615314 | RING GEAR - 6 BOLT C/W MOUNT PLATE |
| 11 | P0820013 | SWIVEL-1/2MX3/8F90 |
| 12 | P0841012 | HYD MOTOR-6.3 (5.9H) RS-1/2" HOLE |
| 13 | P0861201 | CUSHION BLOCK, COMPLETE |
| 14 | P11130126 | WHEEL-MOVE AXLE TAB 3" |
| 15 | P020200007 | HANDLE WITH GRIP |
| 16 | 15121033 | PAINTED HANDLE LINK ARM |
| 17 | P020200009 | HANDLE SPRING |
| 18 | P020200333 | PINION GEAR-1"ID 3/8"HOLE |
| 19 | P020200338A | MOTOR ARM -EYEGLOSS PIECE, DRILLED |
| 20 | P0167101 | ROLL PIN SLOTTED 3/8" X 1-1/2" |
| 21 | P0163011 | HAIR PIN 5/32X2-15/16 (66326) |
| 22 | P0821127 | SWIVEL-3/8"-STR. |



Shipping: 201 Industrial Drive, Swift Current, Saskatchewan S9H 5R4, CANADA

Mailing: Box 1750, Swift Current, Saskatchewan S9H 4J8, CANADA

Toll-Free: (877) 667-7421 (Canada & USA)

Phone: (306) 773-7779

Fax: (306) 778-2524

Email: info@batcomfg.com

Web: www.batcomfg.com

Batco is part of the Ag Growth International group

© Ag Growth International 2019

Printed in Canada