

The AGI logo is located in the top right corner of the image. It consists of the letters 'AGI' in a bold, sans-serif font, followed by a stylized graphic element resembling a fan or a set of curved blades.The AGI HUTCHINSON logo is positioned in the middle-left section of the image. It features the text 'AGI' in a bold, sans-serif font, followed by a stylized graphic element, and then the word 'HUTCHINSON' in a bold, sans-serif font.

***BIN UNLOADING SYSTEMS***

***SWEEPS / UNLOADS / POWER HEAD DRIVES***



# BIN UNLOADING SYSTEMS

## EXTENDED WEAR BIN UNLOADING PACKAGE

AGI Hutchinson offers an upgrade package for standard and commercial bin unload systems that enhances flighting life in extreme conditions. The package includes:

- Two revolutions of abrasion resistant (AR) flight at the center well on the unload flight
- One revolution of AR flight at the discharge end of the unload flight
- ¼" flight on under-bin augers
- ⅜" flight on horizontal power heads
- ¼" and AR sectional flight on sweeps
- ¼" and AR sectional flight on verticals
- ¼" and AR sectional flight on 25° unload systems and VAAC

In 25° and variable angle unload systems, a separate flighted U-joint collar is utilized in the transition. The flighted U-joint collar pulls grain through the transition resulting in:

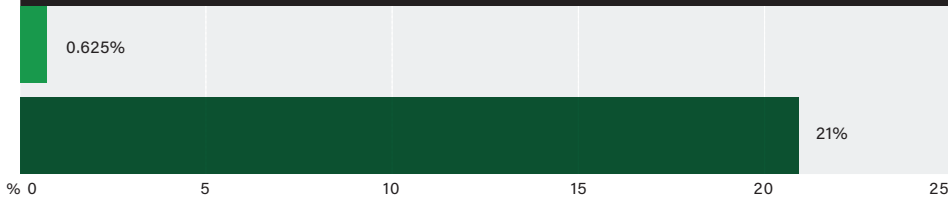
- Improved capacity
- Extended life of the unload flight
- Extended life of the U-joint
- Extended life of the incline flight
- Improved serviceability and replace-ability of components



Extended wear flight and collar

### After 20,000 Bushels of Grain

EXCLUDES 6" SYSTEMS, STANDARD VERTICAL UNLOAD AND STANDARD TORQUE ARM SWEEP

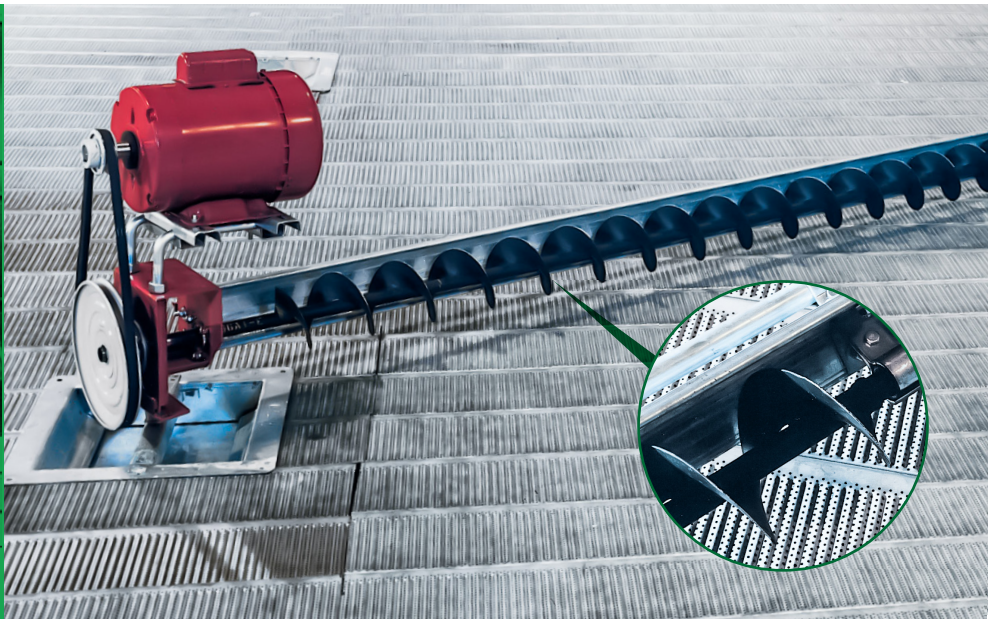


Tested in rice with 25° bin unloads

EXTENDED WEAR FLIGHT WEAR	0.625%
STANDARD FLIGHT WEAR	21%



# KLEAN SWEEPS

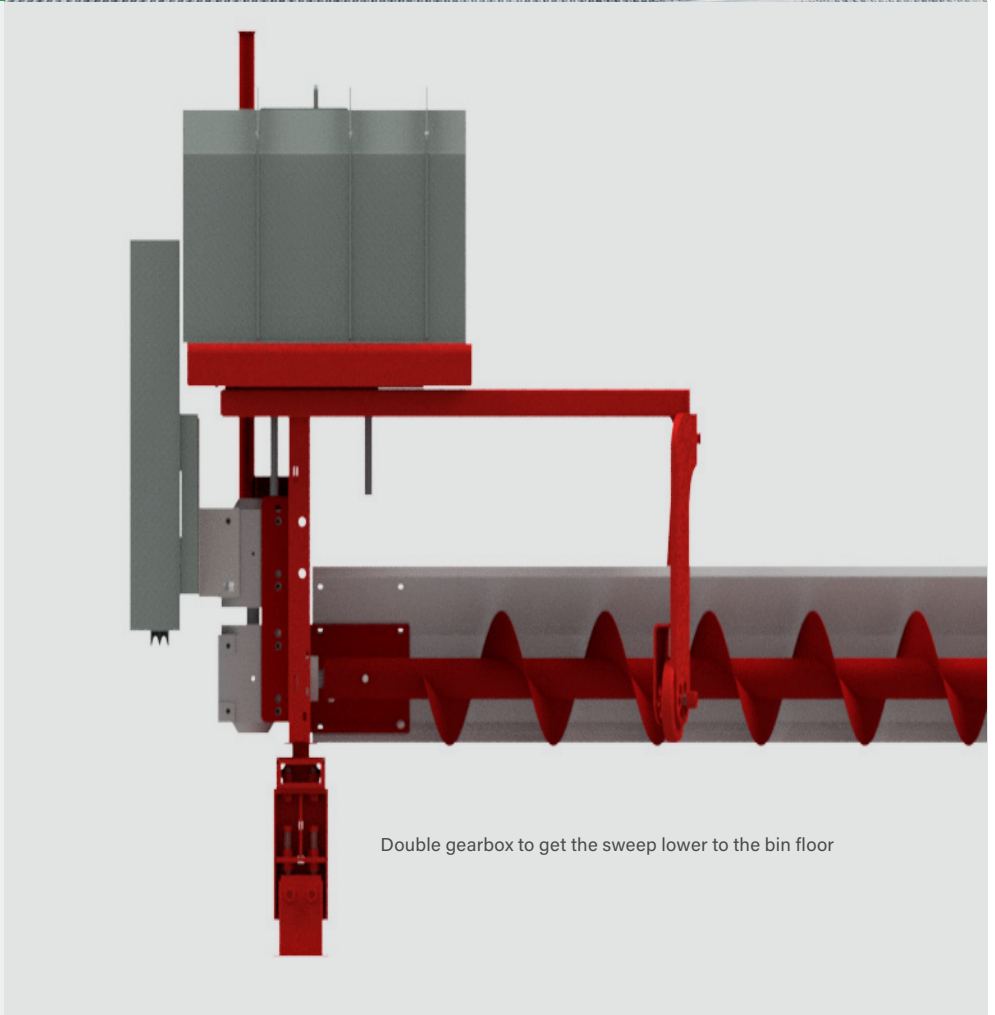


## STANDARD KLEAN SWEEP FEATURES

- Rubber disk end-wheel assembly drives sweep around the bin
- Intermediate flight bearings on 30' (9.1 m) diameter bins and larger
- Drive includes driven sheave, belt and motor mount
- 10" units have intermediate bronze bearings supporting the flight every 10' (3.1 m) or less

## COMMERCIAL KLEAN SWEEP FEATURES

- 8.5:1 reduction on 810 and 1012 models
- 810 and 1012 models have a 2.25:1 double gearbox drive to position the sweep closer to the bin floor
- Sweep tractor drive is standard for 1214 models (optional on 1012 models)
- Intermediate flight bearings every 10' (3.1 m) or less running the length of the flight
- Sweep carrier design provides extra support for flight
  - 810 and 1012 models in 48' (14.6 m) or larger bins
  - 1214 models in 68' (20.7 m) or larger bins



Double gearbox to get the sweep lower to the bin floor

### Klean Sweep

SWEEP MODEL	BIN DIAMETERS	FLIGHT DIAMETER	FLIGHT STRIP	FLIGHT SPEED	CAPACITY
6"	15' - 36' (4.6 m - 11.0 m)	4" (10.2 cm)	1/8" (3.0 mm)	625 RPM	650 BPH (18 TPH)
8"	15' - 48' (4.6 m - 14.6 m)	5" (12.7 cm)	1/8" (3.0 mm)	525 RPM	1,175 BPH (32 TPH)
10"	24' - 48' (7.3 m - 14.6 m)	7" (17.8 cm)	3/16" (4.6 mm)	438 RPM	2,200 BPH (59 TPH)
810	24' - 60' (7.3 m - 26.2 m)	7" (17.7 cm)	1/4" (6.4 mm)	300 - 400 RPM	1,600 - 2,050 BPH (43 - 55 TPH)
1012	24' - 90' (7.3 m to 27.4 m)	9" (22.9 cm)	1/4" (6.4 mm)	250 - 290 RPM	3,200 - 3,700 BPH (86 - 100 TPH)
1214	36' - 105' (10.9 m to 32.0 m)	12" (30.5 cm)	1/4" (6.4 mm)	150 - 230 RPM	3,950 - 6,100 BPH (106 - 165 TPH)

# STANDARD & HEAVY-DUTY POWER SWEEP

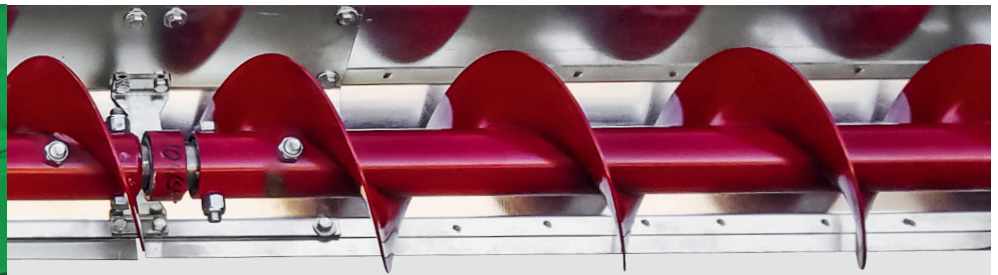
Power Sweeps use one motor on the outside of the grain bin to power both the unloading flight and the sweep. They can remain inside the bin during the grain bin filling process and come in standard, and heavy-duty (HD) external or internal clutch.

## FEATURES

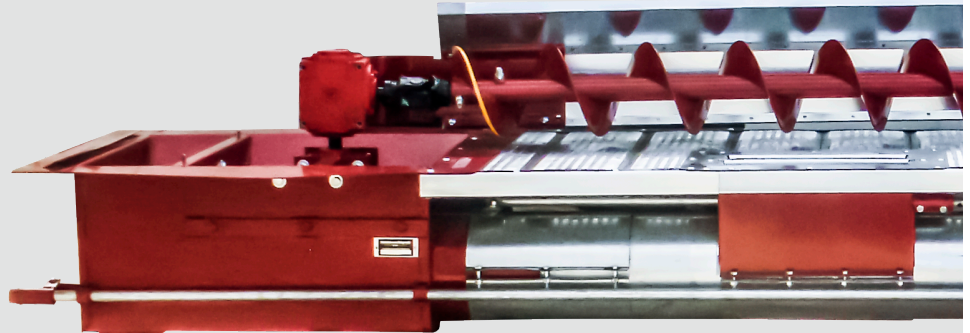
- 8.5 to 1 wheel reduction
- Sweep carrier for bins 48'+ diameter, not needed with HD internal clutch until 72'
- Center power well and roller supported gate with gearboxes
- Underbin auger housing and flight
- Control pipe kit with unique control lever for maximum pull
- Extended wear flight standard on HD internal clutch

## POWERHEAD OPTIONS

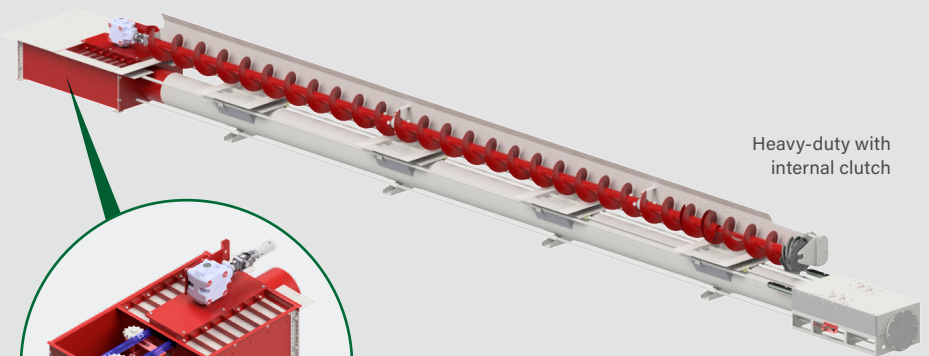
- Horizontal
- 25 degrees



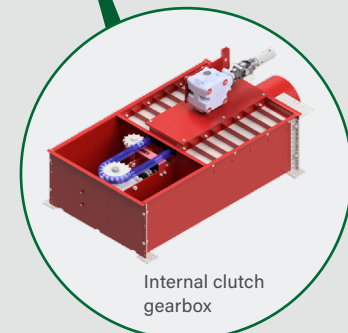
Splice plate for added strength



Reduced shaft to get sweep closer to the bin floor



Heavy-duty with internal clutch



Internal clutch gearbox

## Standard & Heavy Duty Power Sweep

AUGER UNLOAD MODEL	BIN DIAMETERS	SWEEP FLIGHT DIAMETER	UNLOAD FLIGHT DIAMETER	SWEEP FLIGHT STRIP	UNLOAD FLIGHT STRIP	FLIGHT SPEED	CAPACITY
6" STANDARD	15' - 48' (4.6 m - 14.6 m)	5" (12.7 cm)	5" (12.7 cm)	1/8" (3.0 mm)	1/8" (3.0 mm)	450 - 525 RPM	1,000 - 1,200 BPH (27 - 32 TPH)
8" STANDARD	15' - 48' (4.6 m - 14.6 m)	7" (17.8 cm)	7" (17.8 cm)	3/16" (4.6 mm)	3/16" (4.6 mm)	325 - 440 RPM	1,700 - 2,200 BPH (46 - 59 TPH)
10" STANDARD	24' - 48' (7.3 m - 14.6 m)	7" (17.8 cm)	9" (22.9 cm)	3/16" (4.6 mm)	3/16" (4.6 mm)	325 - 440 RPM	3,575 - 4,500 BPH (96 - 122 TPH)
8" HEAVY DUTY EXTERNAL CLUTCH	30' - 72' (9.1 m - 22.0 m)	7" (17.8 cm)	7" (17.8 cm)	3/16" (4.6 mm)	1/4" (6.4 mm)	325 - 440 RPM	1,700 - 2,200 BPH (46 - 59 TPH)
10" HEAVY DUTY EXTERNAL CLUTCH	30' - 60' (9.1 m - 18.2 m)	7" (17.8 cm)	9" (22.9 cm)	3/16" (4.6 mm)	1/4" (6.4 mm)	325 - 440 RPM	3,575 - 4,500 BPH (96 - 122 TPH)
8" HEAVY DUTY INTERNAL CLUTCH	30' - 72' (9.1 m - 21.9 m)	7" (17.8 cm)	9" (22.9 cm)	1/4" (6.4 mm)	1/4" (6.4 mm)	325 - 440 RPM	1,700 - 2,200 BPH (46 - 59 TPH)
10" HEAVY DUTY INTERNAL CLUTCH	30' - 78' (9.1 m - 23.7 m)	9" (22.9 cm)	9" (22.9 cm)	1/4" (6.4 mm)	1/4" (6.4 mm)	325 - 440 RPM	3,575 - 4,500 BPH (96 - 122 TPH)

# COMMERCIAL POWER SWEEP

The Commercial Power Sweep can accommodate a variety of unloading units, including: auger unloaders, u-trough, chain conveyors, and Grain Pump® loop systems. It offers the convenience of having the drive on the outside of the bin, but with the added feature of using a separate drive for the sweep.

## FEATURES

- Two individual gearboxes allow for a compact center well design
- End wheel has an 8.5:1 reduction drive
- Intermediate wells provided with removable top flanges for easier installation
- Sweep carrier provides extra support for flight and shield for sweeps in 48' (14.6 m) or larger bins
- Control pipe kits with rack and pinion-style openers
- Drive shaft has 1" flangette bearings on 5' centers



Sweep end-wheel retrofit kits available

## Commercial Power Sweep

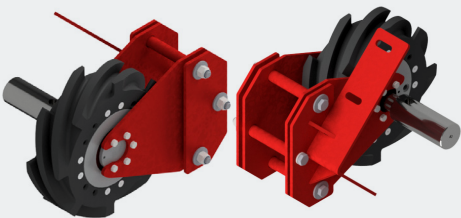
SWEEP MODEL	BIN DIAMETERS	FLIGHT DIAMETER	FLIGHT STRIP	FLIGHT SPEED	CAPACITY
800	36' - 60' (11.0 m - 18.3 m)	9" (22.9 cm)	¼" (6.4 mm)	220 - 250 RPM	2,800 - 3,200 BPH (76 - 86 TPH)
1000	36' - 75' (11.0 m - 22.9 m)	9" (22.9 cm)	¼" (6.4 mm)	300 - 325 RPM	3,850 - 4,150 BPH (104 - 112 TPH)
1200	36' - 75' (11.0 m - 22.9 m)	9" (22.9 cm)	¼" (6.4 mm)	375 - 395 RPM	4,800 - 5,050 BPH (130 - 136 TPH)

# ***SWEEP END-WHEEL***

- 8.5:1 reduction inside the wheel, reducing the distance from the sweep auger to the bin wall on sweeps
- Polyurethane treads break up compacted grain and dig down to the bin floor to maintain a driving force into the grain pile
- Each wheel is self-lubricated and sealed for longer life
- Retrofit kits available for most 8" and 10" Klean and Power Sweeps



4-piece modular design allows for easy tread replacements without removing the gearbox



Install the retrofit kit to your old 8" and 10" Klean Sweep in under 15 minutes



# NEXGEN 2000 & 3000 COMMERCIAL SWEEPS



A key component to zero bin entry operation



## FEATURES

- Built to remain in the bin
- Sturdy construction to withstand years of heavy use
- Serves bin diameters of 36' - 120' (11 m - 36.5 m) in 2000 model and 48' to 150' diameter (14.6 m - 45.7 m) in 3000 model

## CONTROLS

- Zero-entry controls with panels located outside the bin
- Auto start, stop and reverse capabilities

### Series 2

- Control box provides both total automation and manual operation

### Series 3

- Touchscreen control panel

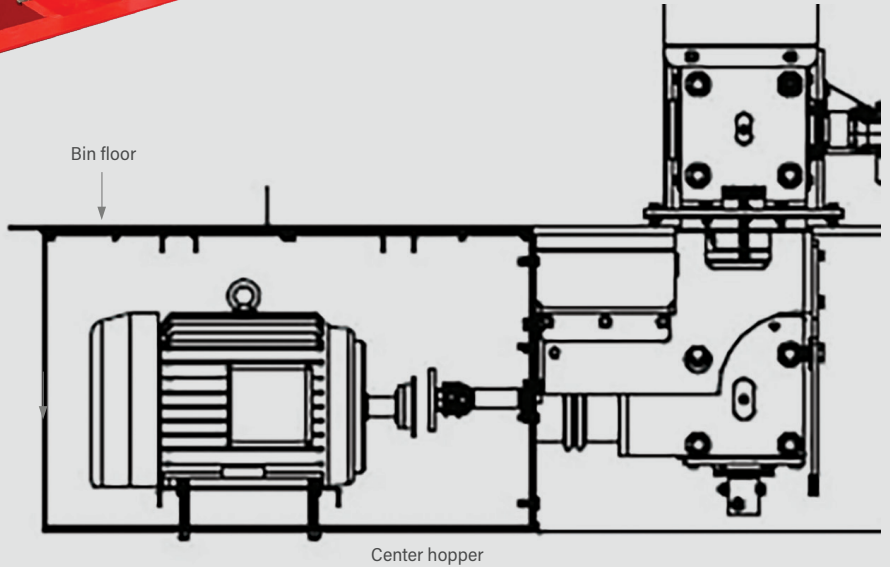
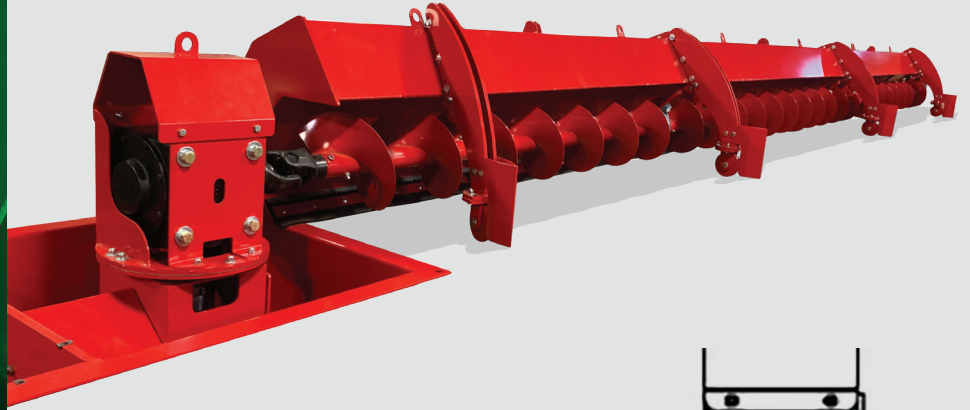
## OPTIONAL TRU-KLEAN CHAIN & PADDLE SWEEP

- Chain & paddles float across the floor behind the sweep
- Utilizes return rollers for reduced friction
- Drag is powered directly from the sweep auger
- Pulls additional grain into the center

## NexGen Commercial Sweep

NEXGEN MODEL	CAPACITIES	FLIGHTING	DRIVE	TRACTOR	CENTER WELL OPTION	CONTROL BOX OPTION
2000	Up to 10,000 BPH (270 TPH)	12.5" O.D. x 1/4" thick (31.8 cm x 6 mm)	4:1 Gear reducer drive up to 30 HP (22.5 kW)	<p>Unique 2-wheel direct drive tractor design with a 350:1 reduction gearbox</p> <p>One tractor - up to 92' bin diameter</p> <p>Two tractors - 105' diameter and larger</p>	<p>30" x 30" (76 cm x 76 cm) opening for both</p> <p>42" x 42" electric slip ring or non-electrical well</p>	<p>Main on-off switch</p> <p>Automatic on-off control of tractor (determined by amount of amps drawn by motor operating sweep flight)</p> <p>Optional series 2 &amp; 3 with auto start, stop &amp; reverse</p>
3000	7,500 - 15,000 BPH (203 - 406 TPH)	18" O.D. x 3/8" thick (45.7 cm x 10 mm)	13:1 Gear reducer drive up to 50 HP (37 kW)	<p>Unique 4-wheel direct drive tractor design</p> <p>One tractor - up to 88' bin diameter</p> <p>Two tractors - 90'-150' bin diameters</p>	<p>48" x 48" (122 cm x 122 cm) opening with above floor electric slip ring</p> <p>50,000 BPH free-flowing capacity</p>	<p>Main on-off switch</p> <p>Automatic on-off control of tractors (determined by amount of amps drawn by motor operating sweep flight)</p> <p>Reverse option</p> <p>Touchscreen offers flight speed controls &amp; current sweep position display</p>

# HI-FLOW BIN SWEEP

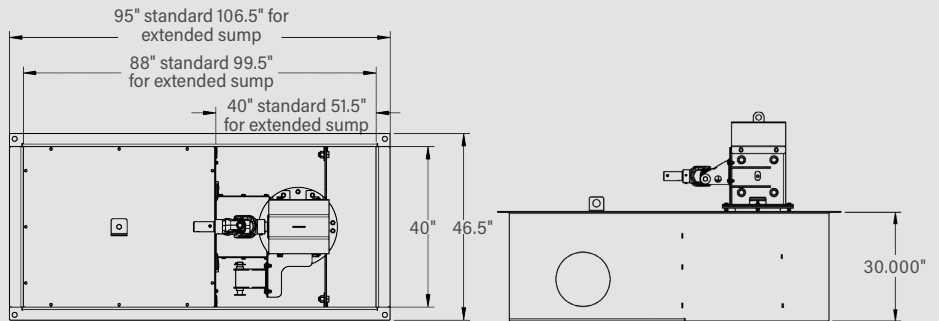


## FEATURES

- 1/4" flights mounted on 3" schedule 40 pipe
- Heavy-duty backboard with a 5/8" rubber scraper
- Zero-entry controls with panels located outside the bin
- Below floor motor assembly which can be accessed from the reclaim tunnel at any time
- Adjustable front and rear wheels to level uneven floors
- Forward and reverse hydraulically driven track drive eliminates drive wheel spinning or climbing in grain piles



**A key component to zero bin entry operation**



## Hi-Flow Bin Sweep

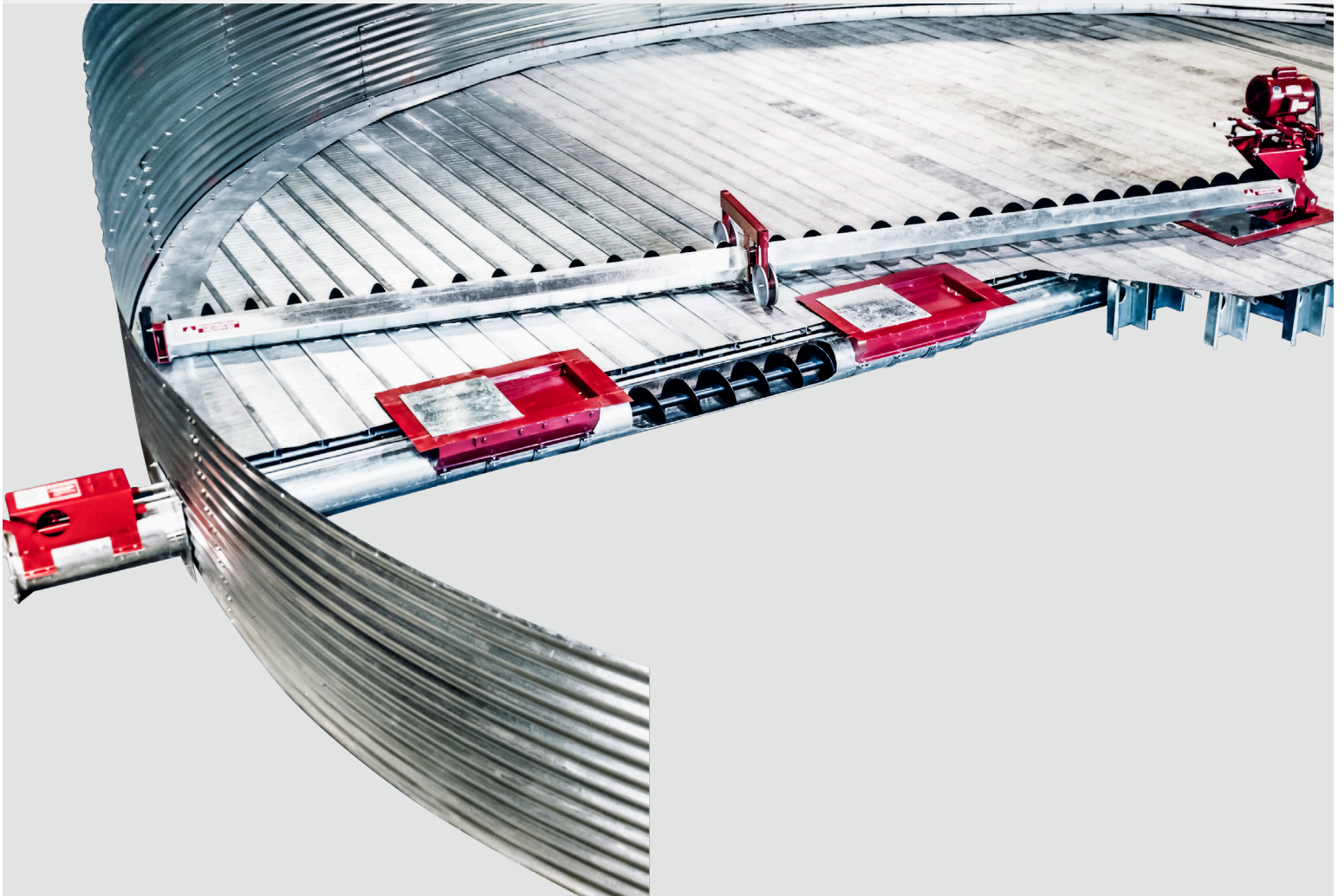
BIN DIAMETER	MAX FILL HEIGHT	HP	INT WELLS
48'	240'	25	2
54'	240'	25	3
60'	239'	25	3
66'	197'	30	3
72'	177'	40	4
75'	170'	40	4
78'	165'	40	4
90'	150'	50	4
105'	141'	50	5
108'	140'	50	6
120'	137'	50	6
135'	134'	50	6



# STANDARD & COMMERCIAL AUGER UNLOADING

## FEATURES

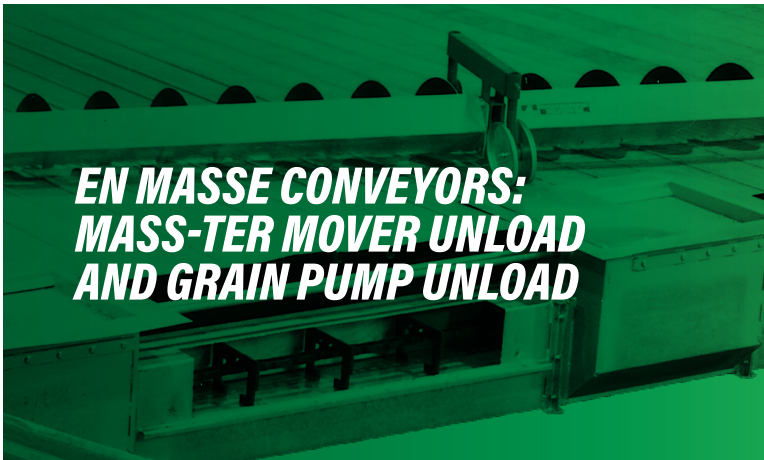
- Choice of unloading tube and flights to meet your capacity and size requirements
- Various center bin well and intermediate bin well options available
- Control pipe kits with either control lever or rack and pinion openers to select from
- Bin flanges, quick connect flange clamps and an assortment of other possible components to complete your unload system



## Auger Unloading

AUGER UNLOAD MODEL	BIN DIAMETERS	UNLOAD TUBE	UNLOAD FLIGHT	FLIGHT SPEED	CAPACITY
6" STANDARD	14' - 37' (4.3 m - 11.3 m)	6" O.D. x 12 ga galv. (15.2 cm - 2.7 mm)	5" O.D. x 1/8" thick (12.7 cm x 3.0 mm)	525 RPM	1,500 BPH (41 TPH)
8" STANDARD	14' - 48' (4.3 m - 14.6 m)	8" O.D. x 12 ga galv. (20.3 cm - 2.7 mm)	7" O.D. x 1/4" thick (17.8 cm x 6.4 mm)	440 RPM	2,500 BPH (68 TPH)
10" STANDARD	23' - 48' (7.0 m - 14.6 m)	10" O.D. x 12 ga galv. (25.4 cm - 2.7 mm)	9" O.D. x 1/4" thick (22.9 cm x 6.4 mm)	440 RPM	4,000 BPH (108 TPH)
8" COMMERCIAL	24' - 78' (7.3 m - 23.8 m)	8" O.D. x 12 ga galv. (20.3 cm - 2.7 mm)	7" O.D. x 1/4" thick (17.8 cm x 6.4 mm)	440 RPM	2,500 BPH (68 TPH)
10" COMMERCIAL	24' - 78' (7.3 m - 23.8 m)	10" O.D. x 12 ga galv. (25.4 cm - 2.7 mm)	9" O.D. x 1/4" thick (22.9 cm x 6.4 mm)	440 RPM	4,000 BPH (108 TPH)
12" COMMERCIAL	24' - 92' (7.3 m - 28.0 m)	12" O.D. x 12 ga galv. (30.5 cm - 2.7 mm)	11" O.D. x 1/4" thick (27.9 cm x 6.4 mm)	350 RPM	6,300 BPH (170 TPH)
14" COMMERCIAL	36' - 92' (11.0 m - 28.0 m)	14" O.D. x 12 ga painted (35.6 cm - 2.7 mm)	12 1/2" O.D. x 1/4" thick (31.8 cm x 6.4 mm)	300 RPM	9,400 BPH (254 TPH)

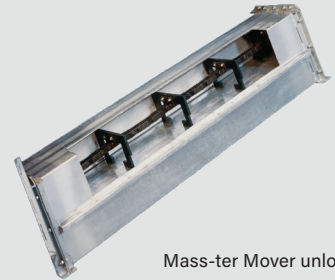
# EN MASSE CONVEYORS: MASS-TER MOVER UNLOAD AND GRAIN PUMP UNLOAD



## FEATURES

- Long life of 81 X, 81 XHH, and WH 124 roller chain
- Quiet operation and long life of UHMW plastic paddles
- High capacity at lower operating speeds, resulting in longer life
- Gate wells are roller gated or have rack and pinion controls

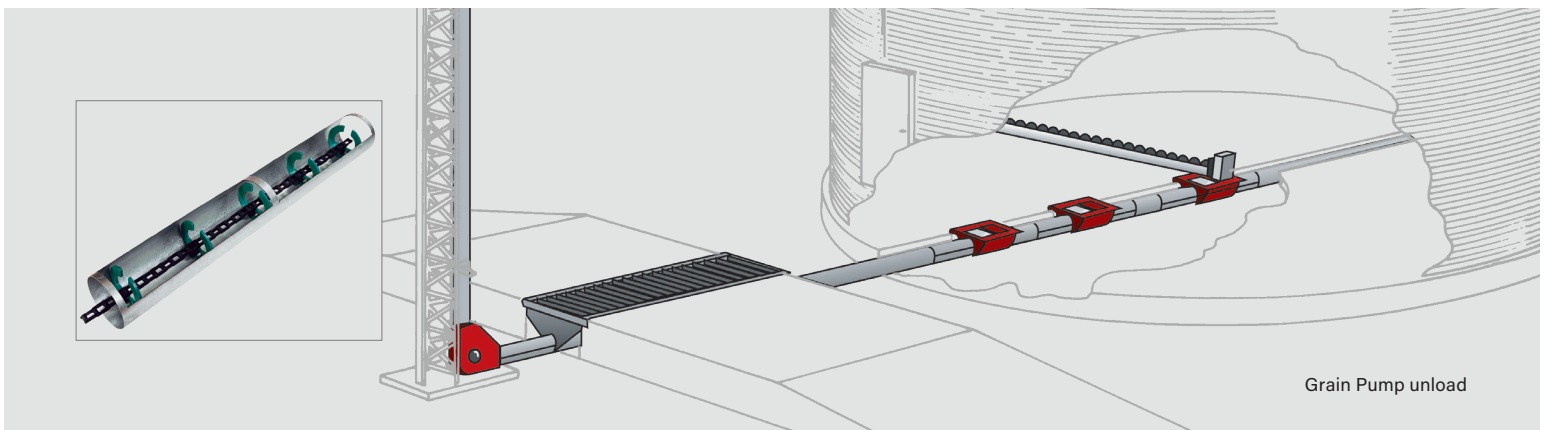
\*23" floor supports or trench is required



Mass-ter Mover unload

## Mass-ter Mover Unload

MASS-TER MOVER MODEL	MASS-TER MOVER HOUSING (ZAM)	CONVEYOR CHAIN	CONVEYOR PADDLE	CHAIN SPEED	CAPACITY
50	6" x 9" (15.2 x 22.9 cm) 10 ga (3.4 mm) bottom	81 X chain	3/8" (9.5 mm) thick UHMW	150 - 325 FPM (46 - 99 MPM)	2,500 - 5,000 BPH (68 - 135 TPH)
85	7" x 13" (17.8 x 33 cm) 10 ga (3.4 mm) bottom	81 XHH chain	1/2" (12.7 mm) thick UHMW	150 - 400 FPM (46 - 122 MPM)	4,000 - 10,000 BPH (108 - 270 TPH)
150	10" x 17" (25.4 x 43.2 cm) 10 ga (3.4 mm) bottom	Double 81 XHH chain	5/8" (15.9 mm) thick UHMW	150 - 350 FPM (46 - 107 MPM)	7,500 - 15,000 BPH (203 - 473 TPH)



Grain Pump unload

## Grain Pump Unload

MODEL	TUBING	CONVEYOR CHAIN	CONVEYOR PADDLE	CHAIN SPEED	CAPACITY
6"	6" O.D. x 12 ga galv.. (15.2 cm x 2.7 cm)	81 X	3/8" (9.5 mm) thick UHMW	325 FPM (99 MPM)	2,000 BPH (54 TPH)
8"	8" O.D. x 12 ga galv. (20.3 cm x 2.7 mm)	81 XHH	3/8" (9.5 mm) thick UHMW	325 FPM (99 MPM)	4,000 BPH (108 TPH)
10"	10" O.D. x 12 ga galv. (25.4 cm x 2.7 mm)	81 XHH	1/2" (12.7 mm) thick UHMW	325 FPM (99 MPM)	6,000 BPH (162 TPH)
12"	12" O.D. x 10 ga galv. (30.5 cm x 3.4 mm)	81 XHH	1/2" (12.7 mm) thick UHMW	400 FPM (122 MPM)	10,000 BPH (270 TPH)
16"	16" O.D. x 7 ga galv. (40.6 cm x 4.5 mm)	WH 124	5/8" (15.9 mm) thick UHMW	400 FPM (122 MPM)	10,000 BPH (270 TPH)

# AUGER UNLOADING POWER HEADS



## MASS-TER MOVER POWER HEAD

The Mass-ter Mover unloading power head can be used in conjunction with 30°, 45°, or 90° corners (15° available on model 50 units) that will provide the discharge height needed. A selection of reducer drives with various chain speeds and horsepower are available to match the capacity required.

\*23" floor supports or trench is required

\*Mass-ter Mover unload required

## HORIZONTAL & 25° INCLINE

### Horizontal

6" (15.2 cm) | 8" (20.3 cm) | 10" (25.4 cm) | 12" (30.5 cm)

### 25° incline

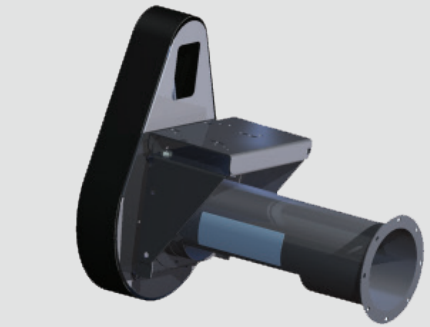
6" to 8" (15.2 cm to 20.3 cm) | 8" to 10" (20.3 cm to 25.4 cm)

10" to 12" (25.4 cm to 30.5 cm) | 12" to 14" (30.5 cm to 35.6 cm)

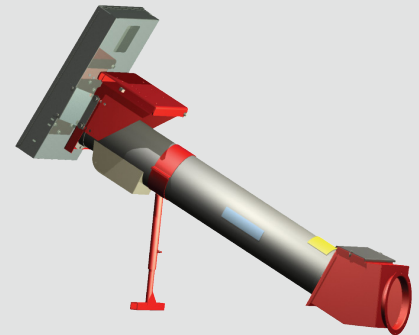
- Includes adjustable support stand to attach optional wheel kit for portability
- Two and three belt "B" section drives
- Internal bearing in elbow

## VERTICAL STANDS

Discharge directly into truck, trailer or mill with kit including 45° discharge with 3' (0.9 m) long solid spout, base support and bin wall mounting brackets.



Horizontal power head



25° incline power head



Vertical stands

## Vertical Stands

VERTICAL STANDS	STANDARD	COMMERCIAL	
HEIGHT		16' 6" (5.0 m)	
TUBE DIAMETERS	6" (15.2 cm)	8" (20.3 cm) & 10" (25.4 cm)	12" (30.5 cm)
ATTACHMENT KITS AVAILABLE FOR	6" (15.2 cm) to 8" (20.3 cm)	8" (20.3 cm) to 10" (25.4 cm)	10" (25.4 cm) to 12" (30.5 cm)
BIN DIAMETERS	up to 48' (14.6 m)		24' (7.3 m) - 120' (36.6 m)
DRIVE	One drive		Dual drive
GEARBOX	Heavy right angle oil bath gearbox runs both the vertical and under-bin auger		Separate direct belt or 3:1 oil bath reducer drives on horizontal and vertical sections speed-match capacities



AGI is a global leader in supplying farm and commercial customers with the manufacturing, planning, and engineering of full equipment solutions for grain, seed, fertilizer, feed, and food. AGI's expertise enables the storage, blending, mixing, conveying, conditioning, processing, and protection of agricultural products and inputs worldwide.

**Your safety is our highest priority.**

Please read and understand the operator's manual and safety decals before using. Use and maintain products properly, and do not modify. Keep guards in place when operating and follow all product manuals and safety decals. For all AGI products, if guards, safety decals, or manuals are damaged or missing, contact your AGI sales or dealer representative for replacements. Images and information contained in this brochure are presented for general information.

Grain Pump, AGI and the furrows symbol are trademarks belonging to Ag Growth International Inc.

198 Commerce Drive, Winnipeg, Manitoba, Canada R3P 0Z6

P 785.632.2161 | [aggrowth.com/hutchinson](http://aggrowth.com/hutchinson)

     @aggrowthintl

**AGGROWTH.COM**