

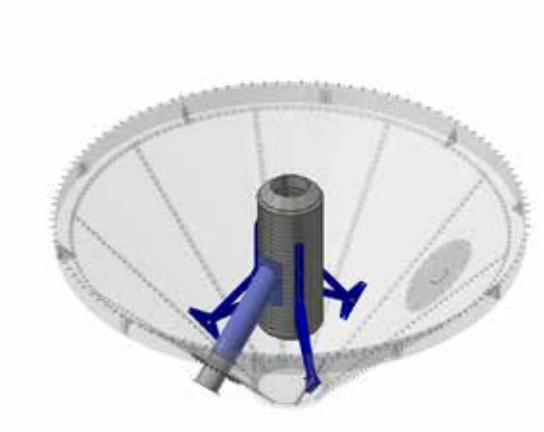


**TECHNICAL
DATASHEETS**

E.3 - AGI EMEA HOPPER AERATION**1. AGI EMEA hopper silo aeration rocket**

The new ROCKET aeration system has been designed to reduce drying time and optimize its efficiency. To be more weight and cost effective.

Suitable for FC silos from model 04 to 06- Ring<13.



— 3D Dwg. of hopper silo rocket aeration



— Photo of hopper silo rocket aeration mounted on silo



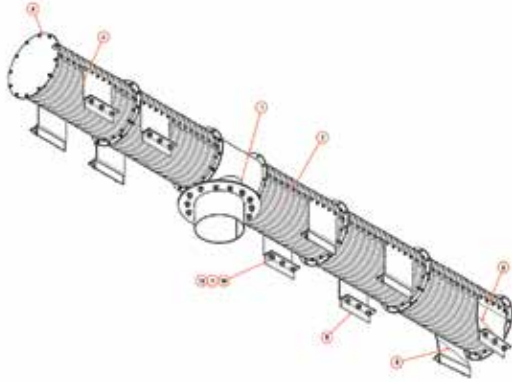
— Photo of hopper silo rocket aeration mounted on silo



— Photo of hopper silo rocket aeration with centrifugal fan

H3. Hopper aeration**2. AGI EMEA hopper silo aeration ducts**

For larger diameter Hopper silos, AGI EMEA have developed a range of aeration systems based on multiple corrugated perforated tubular ducts supplied with the necessary fixing clamps & air inlet facilities to be installed within the hopper. Suitable for silos model FC09 and above.



— Dwg. of hopper silo aeration duct



— Photo of hopper silo aeration duct



— Photo of hopper silo aeration ducts mounted on silo



— Photo of hopper silo aeration ducts mounted on silo

3. AGI EMEA hopper silo aeration cone

The inverted louvered cone provides efficient air distribution, supplied with a 400mm diameter air inlet within the hopper segment. Suitable for FC silos from model 04 to 06- Ring>13 and from 07 to 08 for all rings.



— Photo of hopper silo aeration cone mounted on silo



— Photo of hopper silo aeration cone mounted on silo